



## SRFB SERIES

HIGH RELIABILITY FERRITE BEADS  
REF: DSCG 03024



ALL PARTS AVAILABLE AS CLASS S OR CLASS B

MIL-STD-981

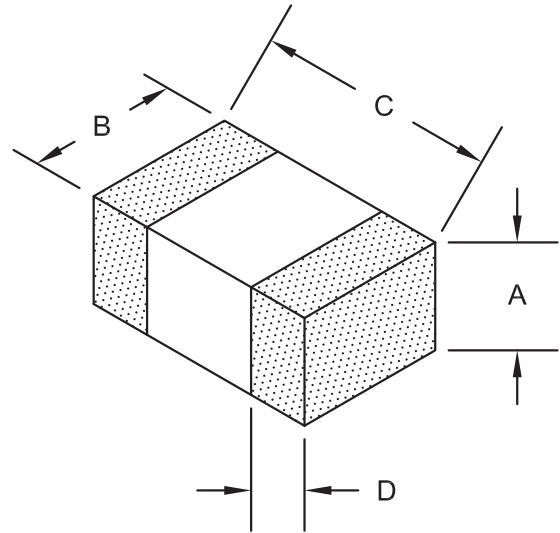
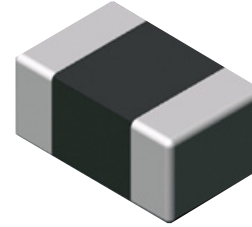
Impedance ( $\Omega$ )	DCR max ( $\Omega$ )	Current Rating max (A)
30 to 1000	0.01 to 0.60	0.20 to 4

### ELECTRICAL SPECIFICATIONS

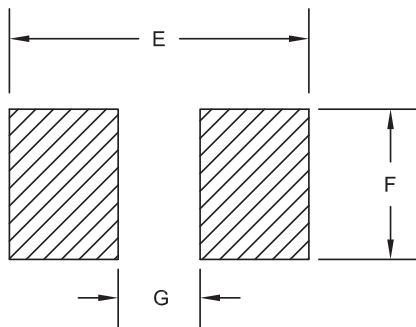
- **Operating Temperature:**  $-55^{\circ}\text{C}$  to  $+130^{\circ}\text{C}$
- **Storage Temperature:**  $-55^{\circ}\text{C}$  to  $+130^{\circ}\text{C}$
- **Impedance tolerances available:**  
 $\pm 25\%$ ,  $\pm 20\%$ ,  $\pm 10\%$ ,  $\pm 5\%$
- **Closed, linear magnetic path to avoid crosstalk**
- **Outgassing compliant per ASTM E595**  
(TML  $<1\%$ , CVCM  $<0.1\%$ )

### FEATURES

- **Compact**, low profile, ideal for automatic placement
- Built to meet **MIL-STD-981**
- **Terminations:** Tin-lead (over nickel) or Gold (over nickel)
- **Surface Mount Technology**
- **Moisture, Shock and Immersion Resistant**
- **Resistance to Soldering Heat:**  $265^{\circ}\text{C}$  for 10 secs



#### RECOMMENDED PAD LAYOUT



Package	A	B	C	D
<b>0603</b>	$0.031 \pm 0.006$ ( $0.80 \pm 0.15$ )	$0.031 \pm 0.006$ ( $0.80 \pm 0.15$ )	$0.063 \pm 0.006$ ( $1.60 \pm 0.15$ )	$0.014 \pm 0.006$ ( $0.36 \pm 0.15$ )
<b>0805</b>	$0.035 \pm 0.008$ ( $0.90 \pm 0.20$ )	$0.049 \pm 0.008$ ( $1.25 \pm 0.20$ )	$0.079 \pm 0.008$ ( $2.00 \pm 0.20$ )	$0.020 \pm 0.010$ ( $0.51 \pm 0.25$ )
<b>1206</b>	$0.043 \pm 0.008$ ( $1.10 \pm 0.20$ )	$0.063 \pm 0.008$ ( $1.60 \pm 0.20$ )	$0.126 \pm 0.008$ ( $3.20 \pm 0.20$ )	$0.020 \pm 0.010$ ( $0.51 \pm 0.25$ )

Dimensions are in inches (mm).

Package	RECOMMENDED PAD LAYOUT		
	E	F	G
<b>0603</b>	0.102 (2.60)	0.031 (0.80)	0.023 (0.60)
<b>0805</b>	0.118 (3.00)	0.039 (1.00)	0.039 (1.00)
<b>1206</b>	0.173 (4.40)	0.055 (1.40)	0.086 (2.20)

Dimensions are in inches (mm).





Vanguard P/N	DSCC P/N (ref only)	Impedance* (Ω)	DCR max (Ω)	Current Rating max (A)	Package
SRFB0603-300**-*	03024-001P	30	0.15	0.50	0603
SRFB0603-600**-*	03024-002P	60	0.15	0.50	0603
SRFB0603-101**-*	03024-003P	100	0.20	0.40	0603
SRFB0603-151**-*	03024-004P	150	0.25	0.40	0603
SRFB0603-181**-*	03024-005P	180	0.25	0.40	0603
SRFB0603-301**-*	03024-006P	300	0.30	0.20	0603
SRFB0603-401**-*	03024-007P	400	0.35	0.20	0603
SRFB0603-601**-*	03024-008P	600	0.40	0.20	0603
SRFB0603-102**-*	03024-009P	1000	0.60	0.20	0603
SRFB0805-300**-*	03024-010P	30	0.02	4.00	0805
SRFB0805-500**-*	03024-011P	50	0.08	2.00	0805
SRFB0805-600**-*	03024-012P	60	0.15	1.50	0805
SRFB0805-700**-*	03024-013P	70	0.15	1.50	0805
SRFB0805-101**-*	03024-014P	100	0.20	1.00	0805
SRFB0805-121**-*	03024-015P	120	0.20	1.00	0805
SRFB0805-151**-*	03024-016P	150	0.20	1.00	0805
SRFB0805-221**-*	03024-017P	220	0.20	1.00	0805
SRFB0805-331**-*	03024-018P	330	0.25	1.00	0805
SRFB0805-471**-*	03024-019P	470	0.25	1.00	0805
SRFB0805-601**-*	03024-020P	600	0.30	1.00	0805
SRFB0805-102**-*	03024-021P	1000	0.40	1.00	0805
SRFB1206-300**-*	03024-022P	30	0.01	4.00	1206
SRFB1206-500**-*	03024-023P	50	0.03	3.00	1206
SRFB1206-800**-*	03024-024P	80	0.10	1.50	1206
SRFB1206-121**-*	03024-025P	120	0.10	1.50	1206
SRFB1206-251**-*	03024-026P	250	0.10	1.50	1206
SRFB1206-501**-*	03024-027P	500	0.20	1.00	1206
SRFB1206-601**-*	03024-028P	600	0.30	1.00	1206

\*Impedance measured at 100 MHz

### VE PART NUMBER STRUCTURE KEY

EXAMPLE: SRFB0603-300KS-5-T

#### IMPEDANCE (Ω)

The first two digits are significant. The last digit specifies zeros to follow:

300 = 30 Ohms

#### TOLERANCE (%)

J	± 5
K	± 10
M	± 20
P	± 25

#### TERMINATION

S	SnPb
G	Gold

#### RELIABILITY

1	EM
5	CLASS "B" (GROUP A)
6	CLASS "S" (GROUP A + B)
7	OTHER

#### PACKAGING (Default Bulk)

B	Bulk
T	Tape and Reel

## SRFB SERIES

