

TFA9892-GA-HAT REV:A1

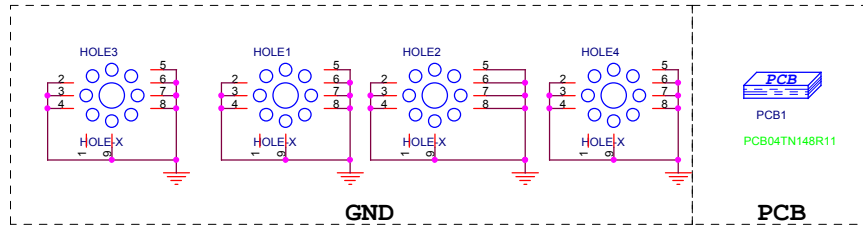
PAGE TITLE

P01 INDEX

P02 POWER SUPPLIES

P03 DIG MIC INTERFACE

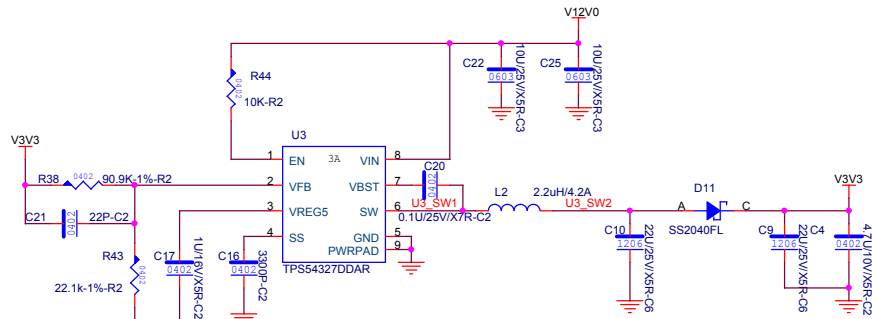
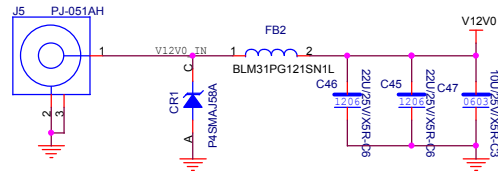
P04 RGB LEDS



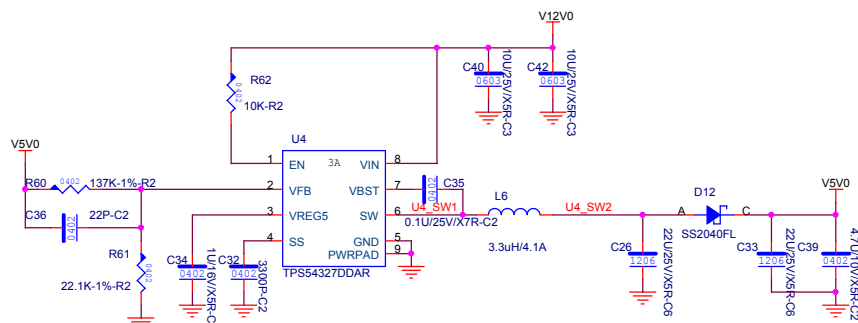
Components marked -X are not populated (DNP)

TechNexion		
Title		
INDEX		
Size	Document Number	Rev
Custom	TFA9892-GA-HAT	A1
Date:	Thursday, August 02, 2018	Sheet 1 of 4

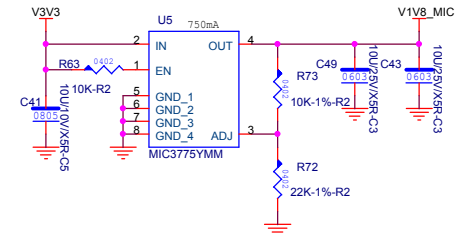
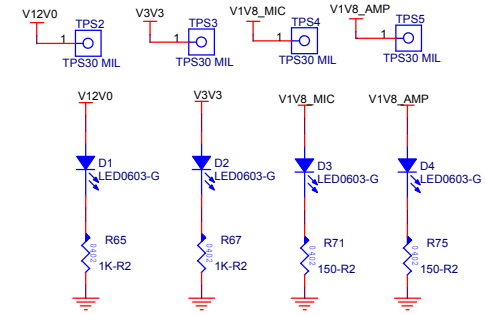
POWER SUPPLIES



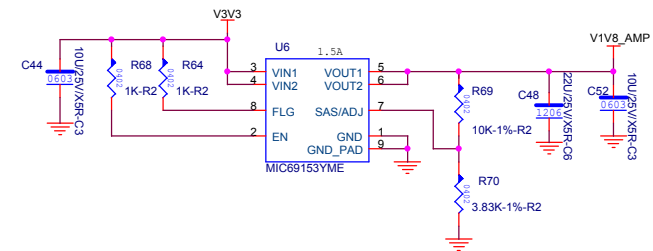
$$U3_SW1 = 0.765 * (1 + R38/R43) = 3.91V$$



$$U4_SW1 = 0.765 * (1 + R60/R61) = 5.5V$$

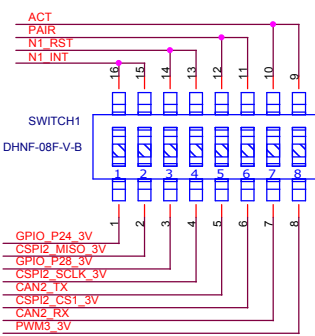


$$V_{out} = 1.24 * (1 + R73/R72) = 1.8V$$



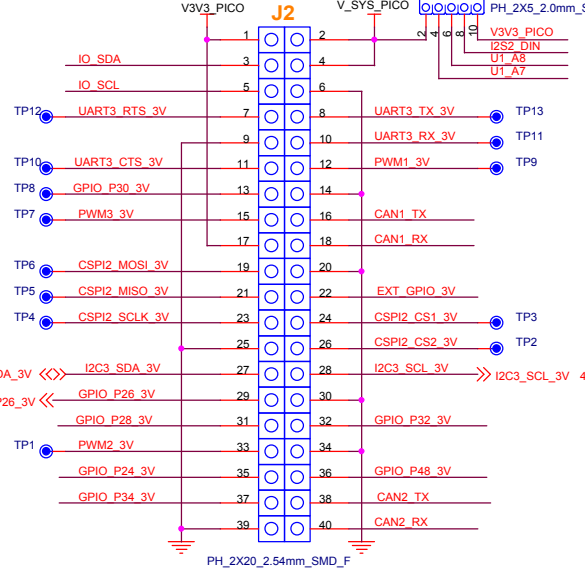
$$V_{out} = 0.5 * (1 + R69/R70) = 1.8V$$

POWER THE PICO BOARD WITH EXT POWER

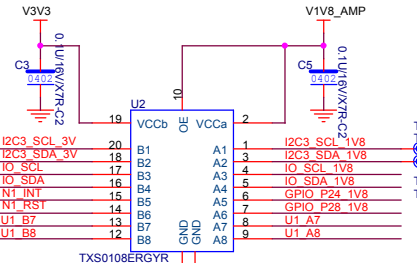
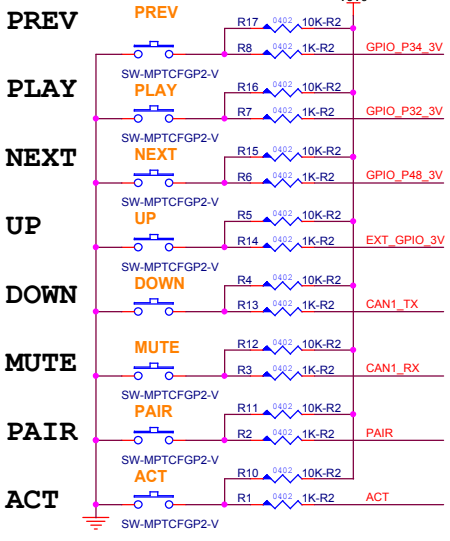
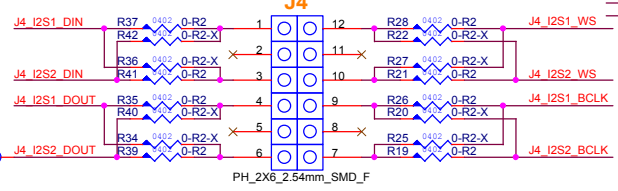


CPU SERIES	SWITCH1 SELECT
IMX6, IMX6UL, IMX7	1, 3, 5, 7 ON
IMX8M	2, 4, 6, 8 ON

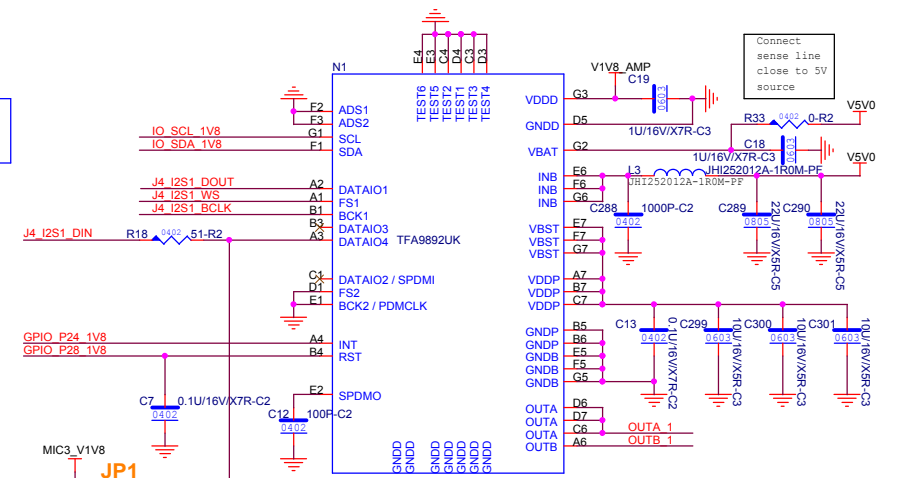
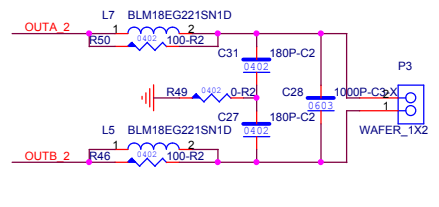
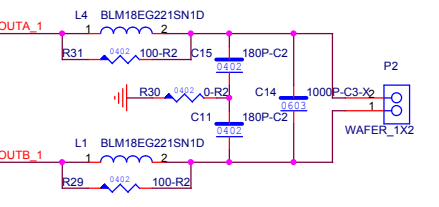
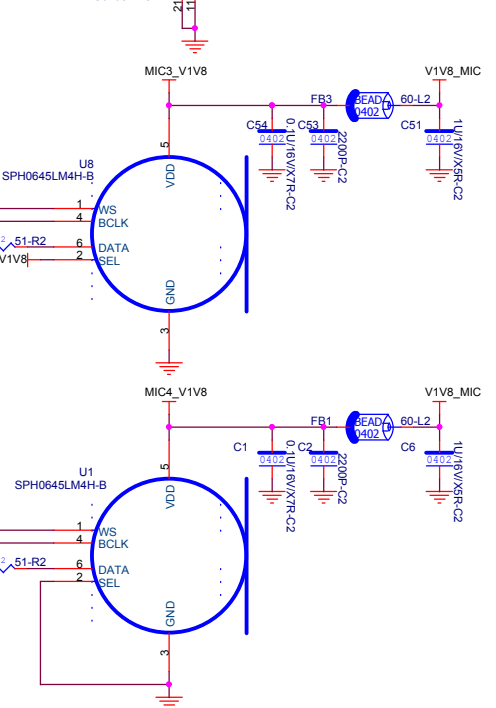
MATE WITH J8 OF PICO-PI



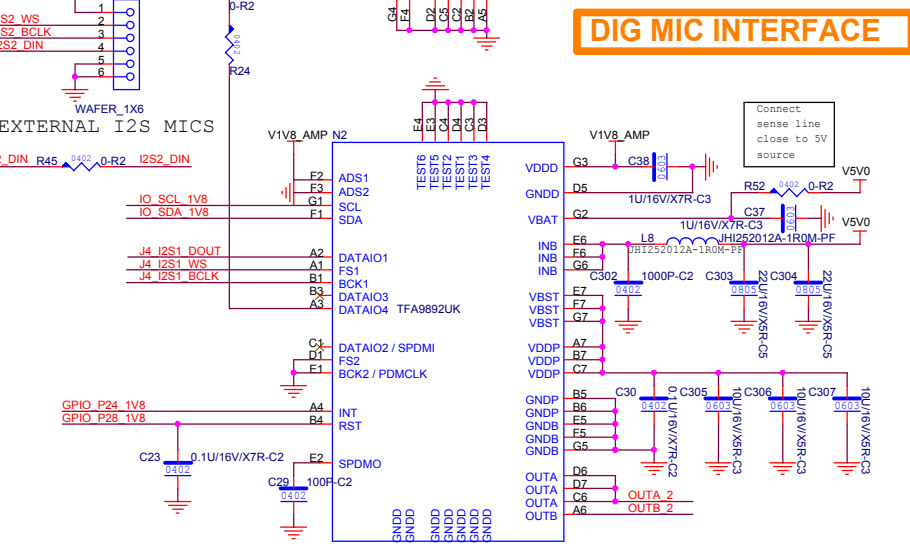
MATE WITH J9 OF PICO-PI BOARD



FOR EXTERNAL I2S MICs



DIG MIC INTERFACE



TechNexion
DIG MIC INTERFACE

Title	Document Number		Rev
Size	TFA9892-GA-HAT		A1
Custom	Date: Thursday, August 02, 2018		Sheet 3 of 4

RGB LEDs

