

PICO-PI-GL REV:B1

L=6, 85 x 56 mm

PAGE TITLE

P01 INDEX

P02 Board to Board

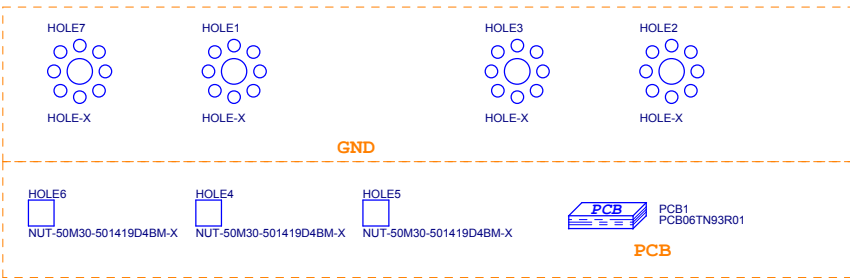
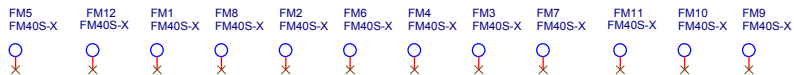
P03 DC-DC & MIKROBUS

P04 AUDIO & BOOT

P05 RGMII & RMII

P06 USB & CAMERA

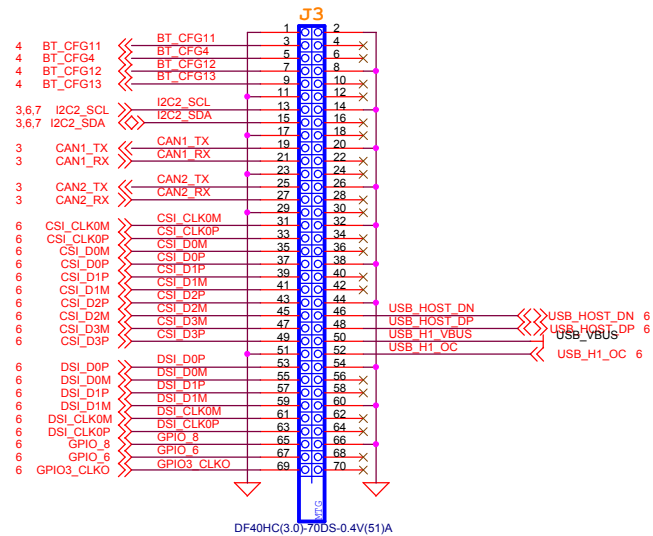
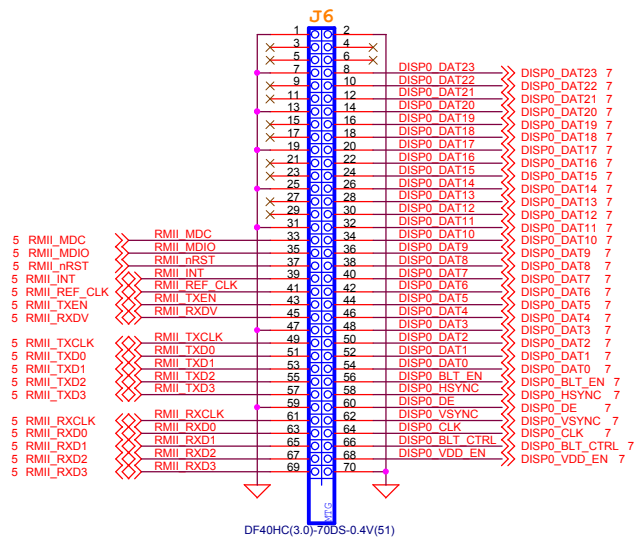
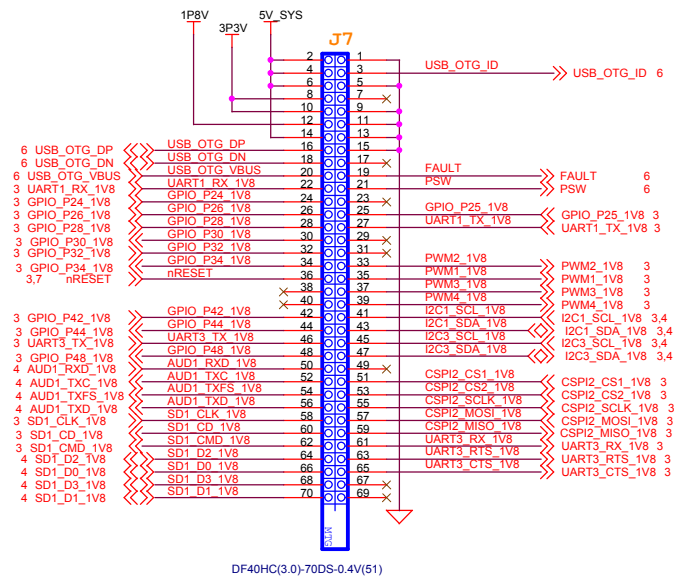
P07 TTL PANEL



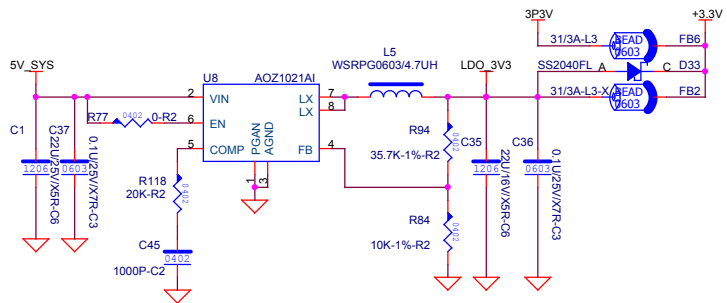
Components marked -X are not populated (DNP)

TechNexion		
Title		
INDEX		
Size Custom	Document Number	Rev B1
PICO-PI-GL		
Date:	Friday, September 15, 2017	Sheet 1 of 8

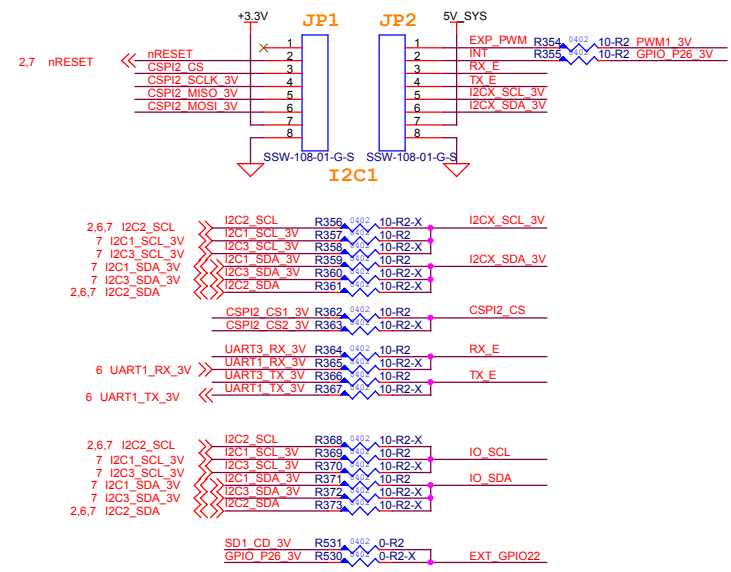
Board to Board



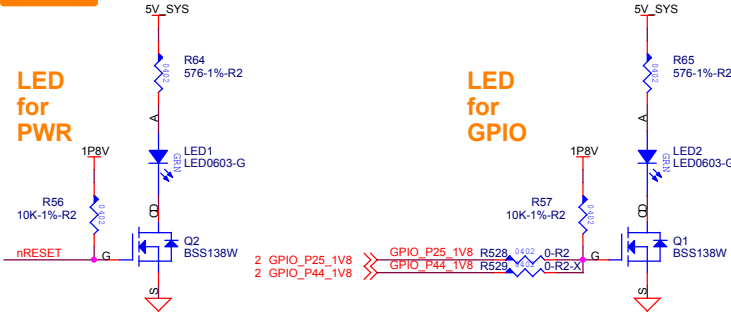
DC-DC



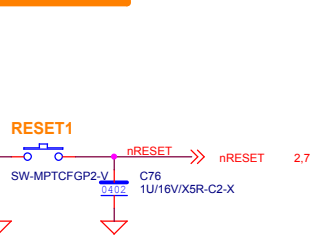
MIKROBUS



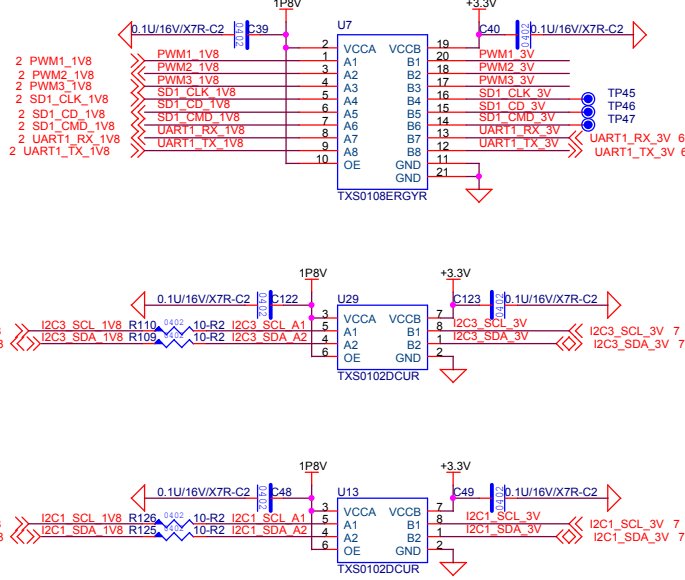
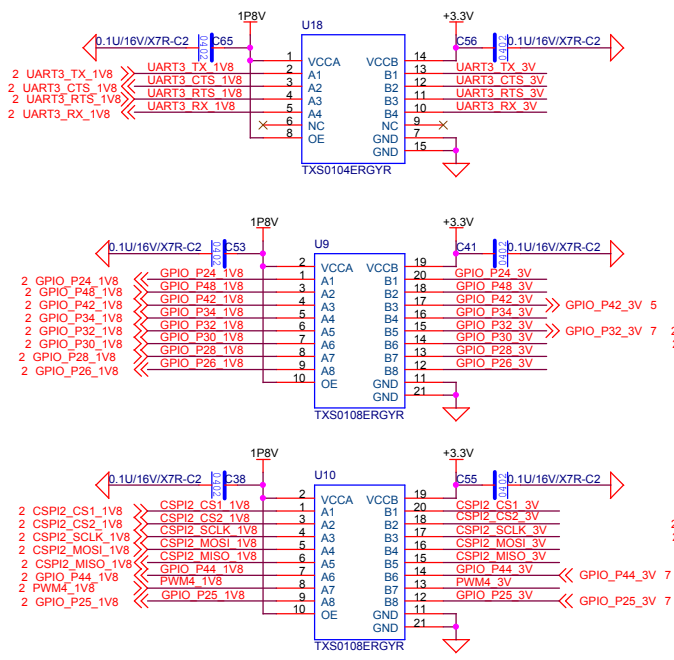
LED



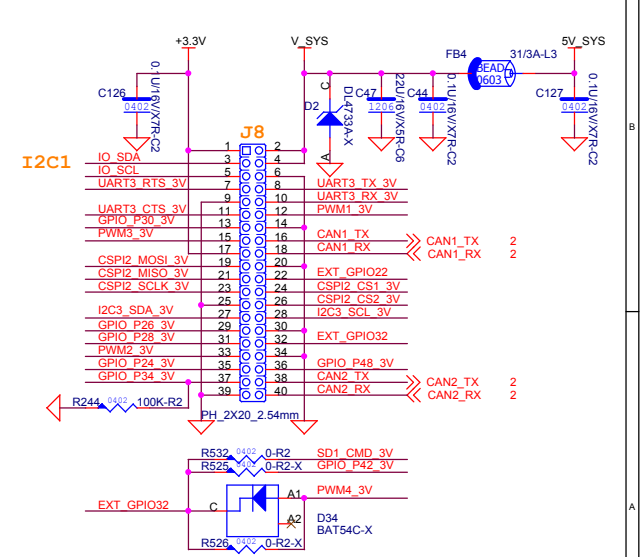
RESET



LEVEL SHIFT



EXPANSION IO

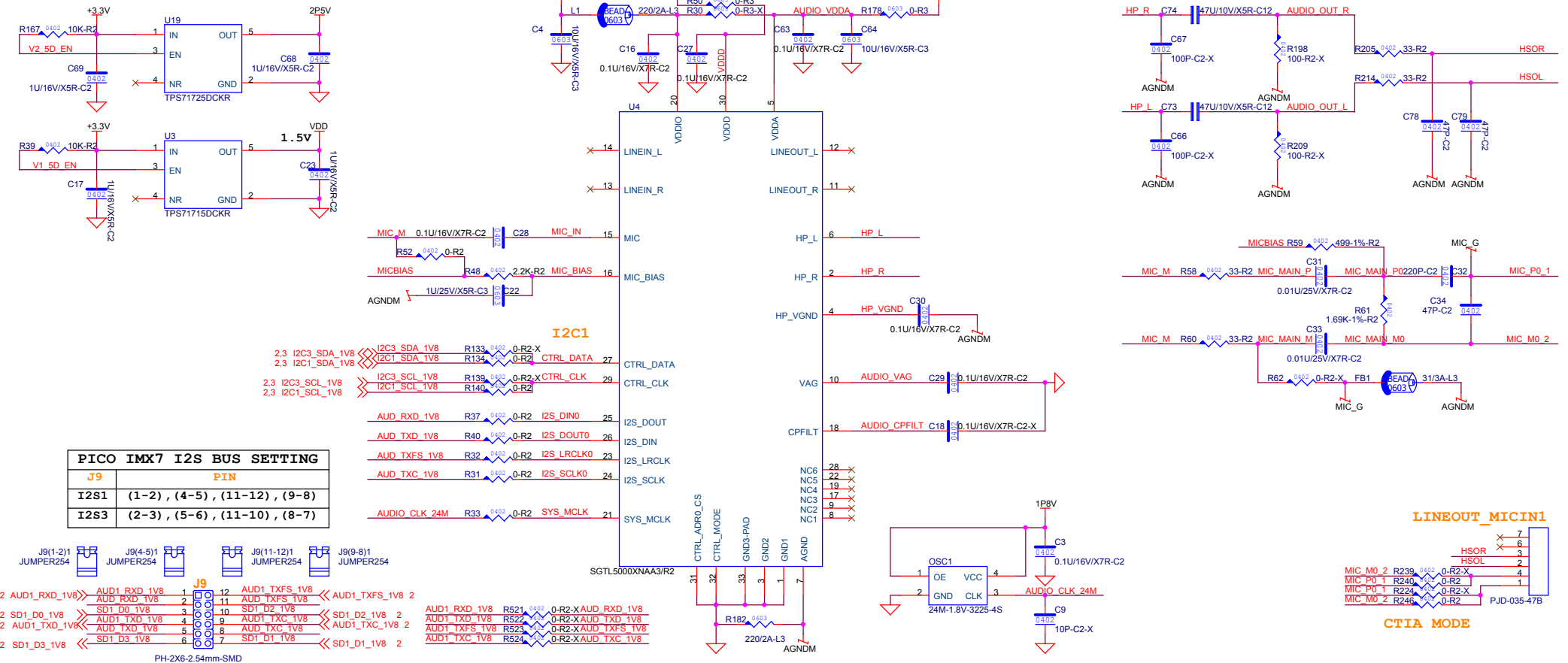


TechNexion

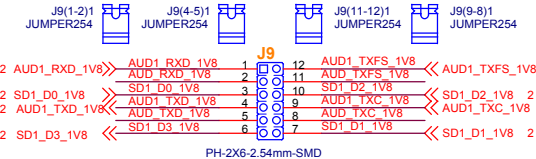
DC-DC & MIKROBUS

Title		Rev B1	
Size	Document Number	PICO-PI-GL	
Date:	Friday, September 15, 2017	Sheet	3 of 8

AUDIO



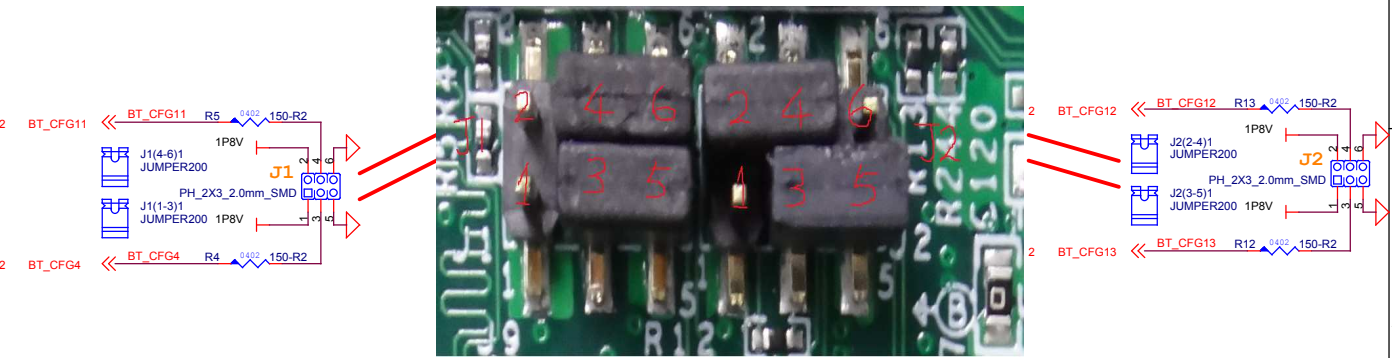
PICO IMX7 I2S BUS SETTING	
J9	PIN
I2S1	(1-2), (4-5), (11-12), (9-8)
I2S3	(2-3), (5-6), (11-10), (8-7)



BOOT PIN HEADER

I2C TABLE			
BASEBoard	IMX6	IMX6UL/ULL	IMX7
I2C1	I2C1	I2C2	I2C1
I2C3	I2C2	I2C3	I2C2
I2C2	I2C3	I2C1	I2C4
I2C1	I2C3	I2C2	I2C2
I2C2	I2C3	I2C1	I2C1
I2C1	I2C2	I2C4	I2C4
AUDIO			CAMERA
MIKROBUS			TOUCH
EXPANSION			

PICO IMX6/IMX6QPOP/IMX7 BOOT Jumper Settings		
	J1	J2
SD (Module)	2-4	2-4
eMMC	2-4	4-6
Serial Downloader	4-6	2-4
	J1	J2
SD (Module)	3-5	3-5
eMMC	1-3	1-3
Serial Downloader	3-5	1-3

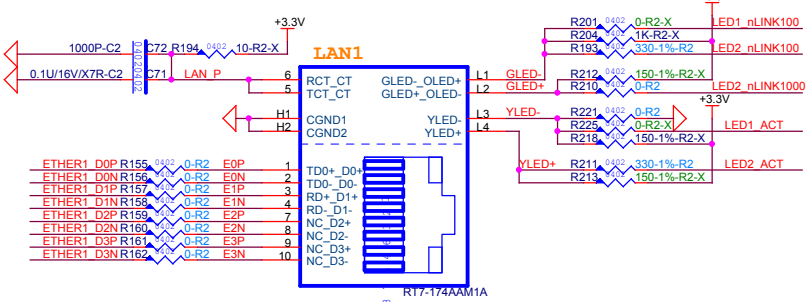
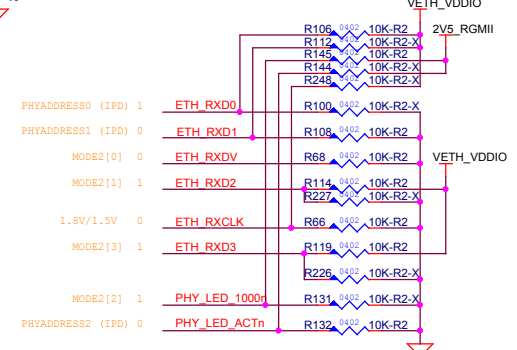
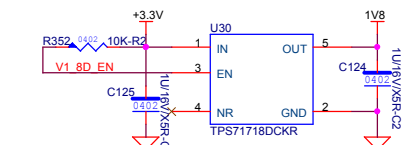
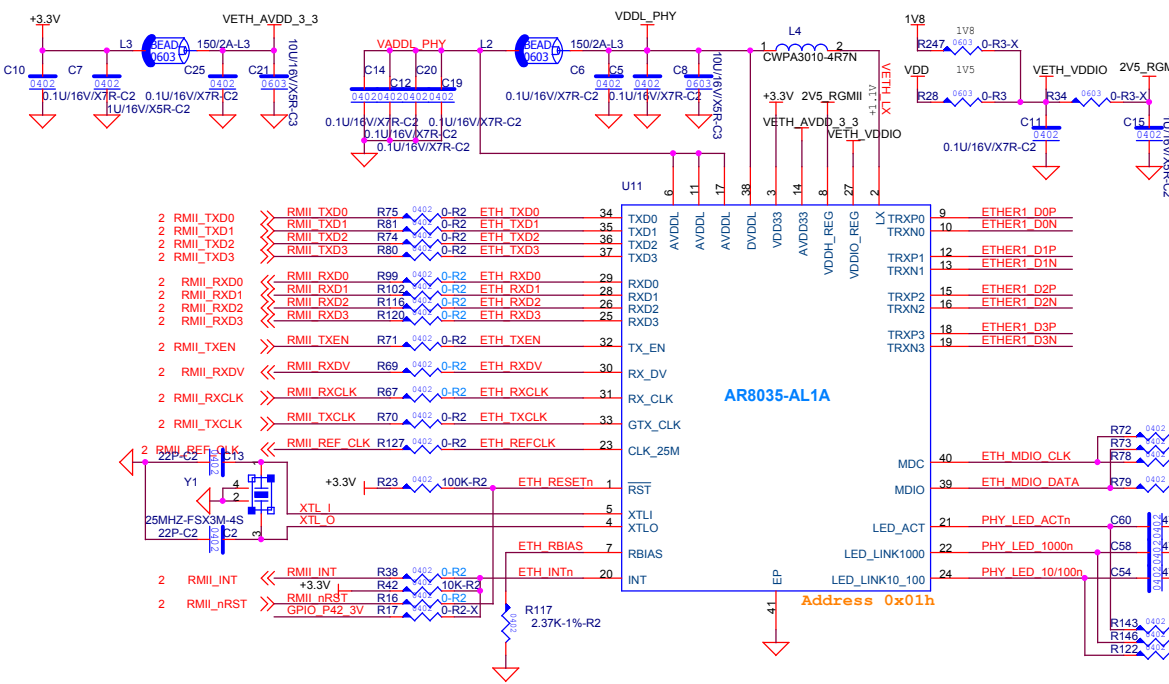


PICO IMX6UL/ULL-eMMC BOOT Jumper Settings		
MODE0	MODE1	BMODE[0:1]
J1	J1	
2-4	3-5	Serial Downloader
4-6	1-3	Internal Boot

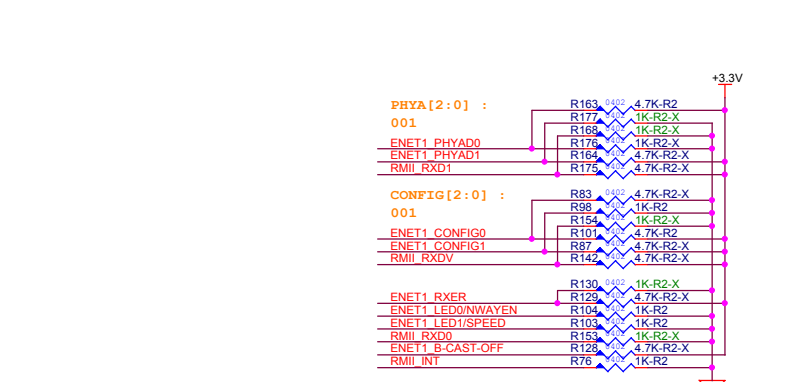
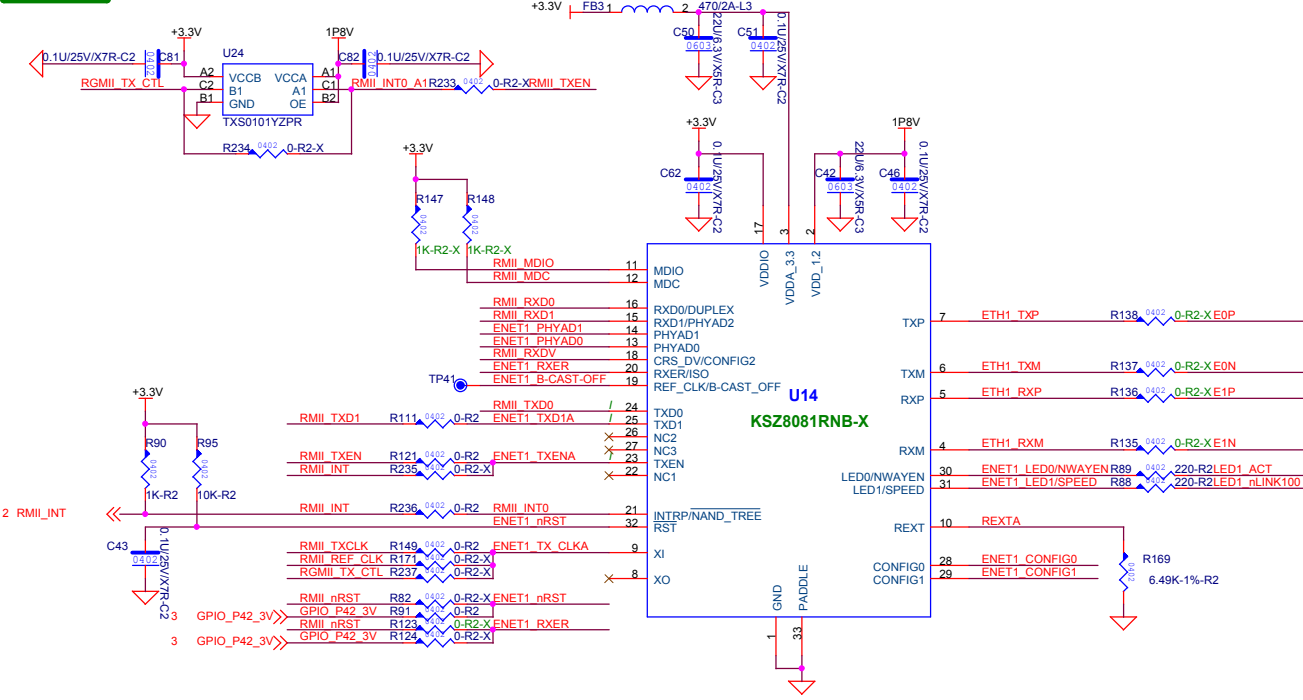
TechNexion
AUDIO & ROOT
PICO-PI-GL

Title: _____
Size Custom | Document Number: _____ | Rev B1
Date: Friday, September 15, 2017 | Sheet 4 of 8

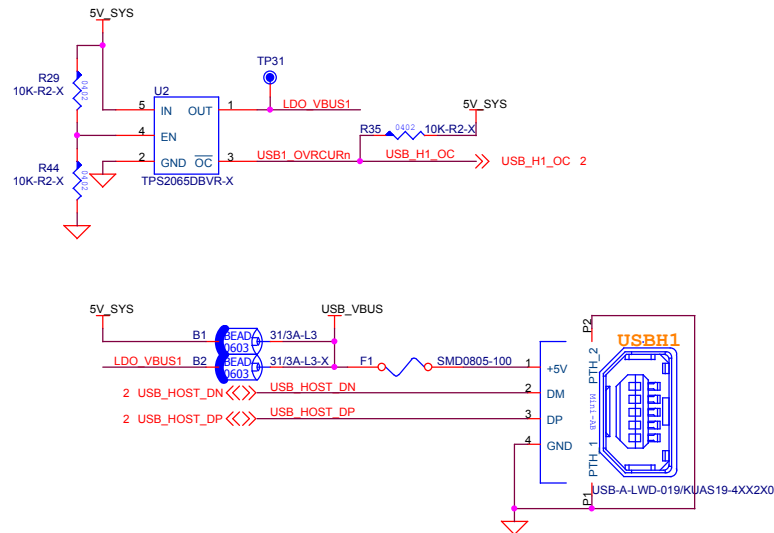
RGMI I



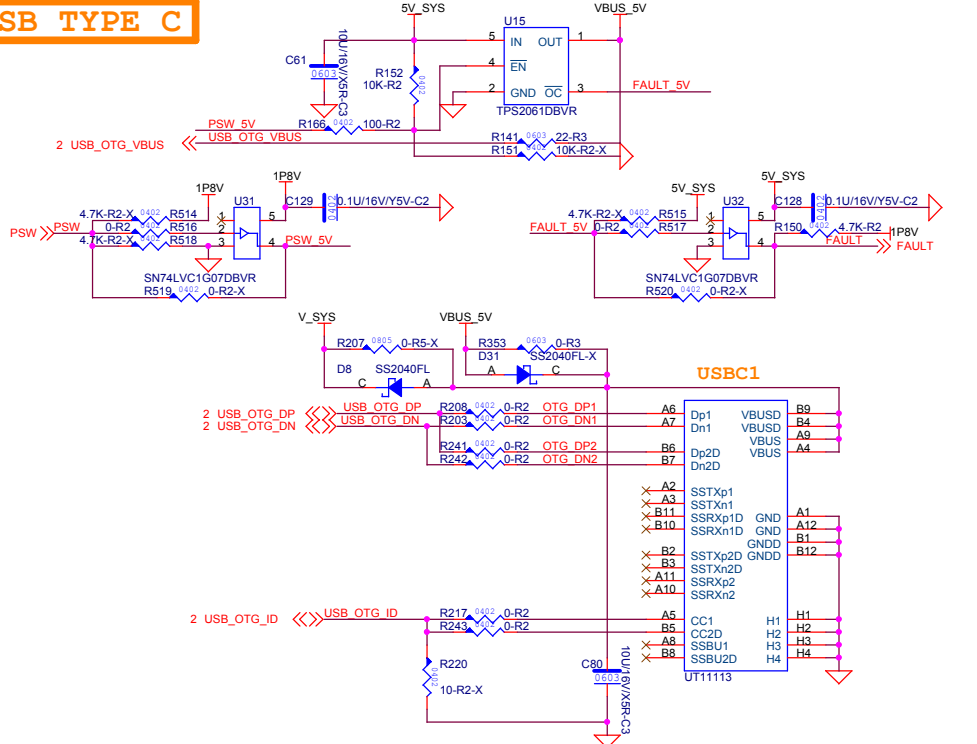
RMII I



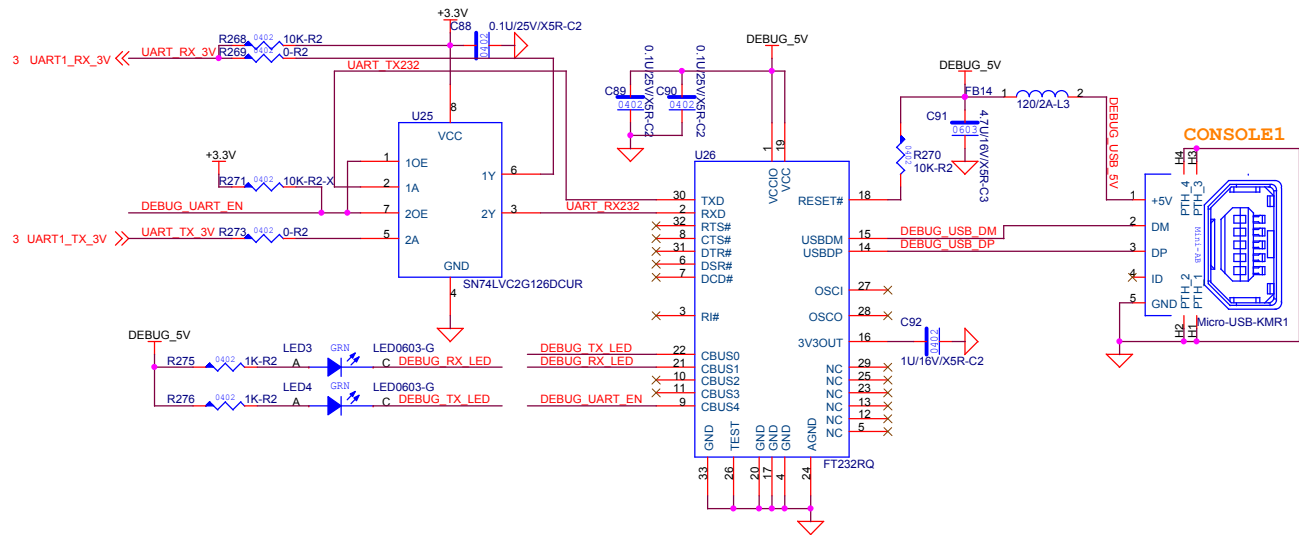
USB HOST



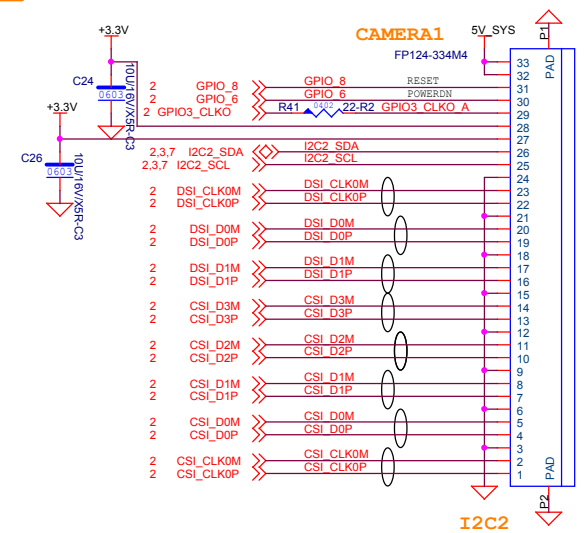
USB TYPE C



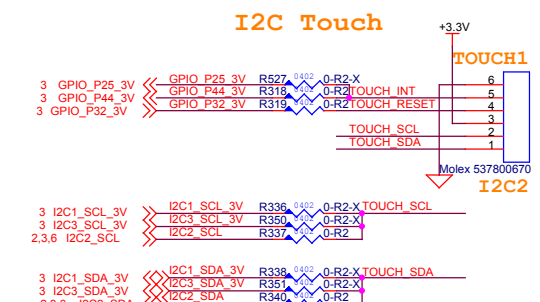
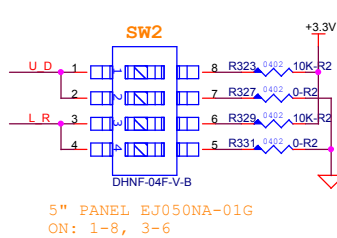
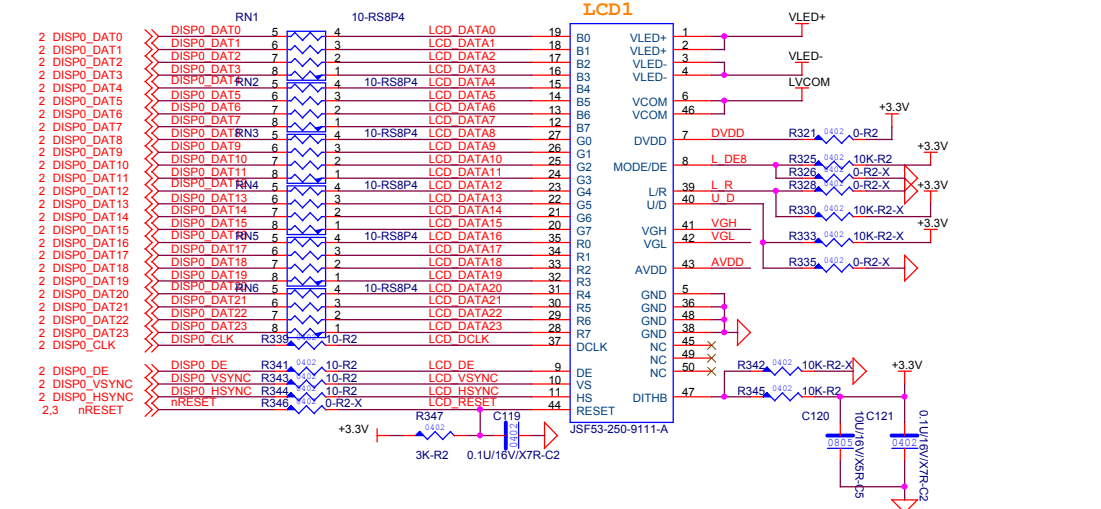
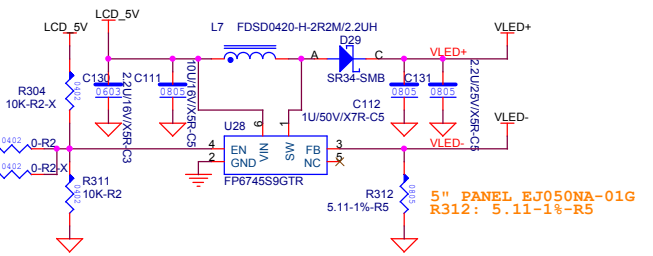
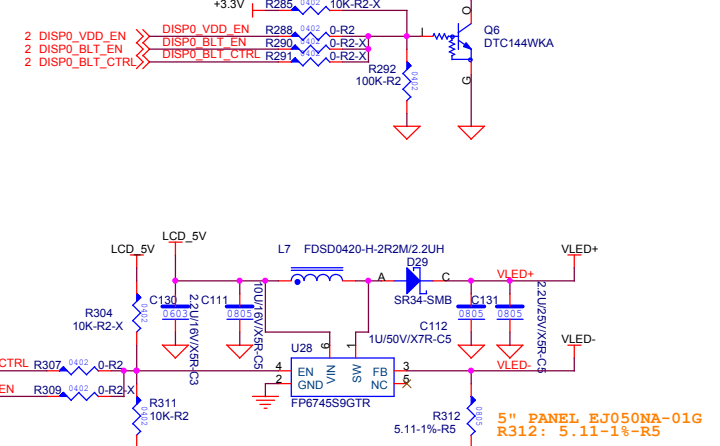
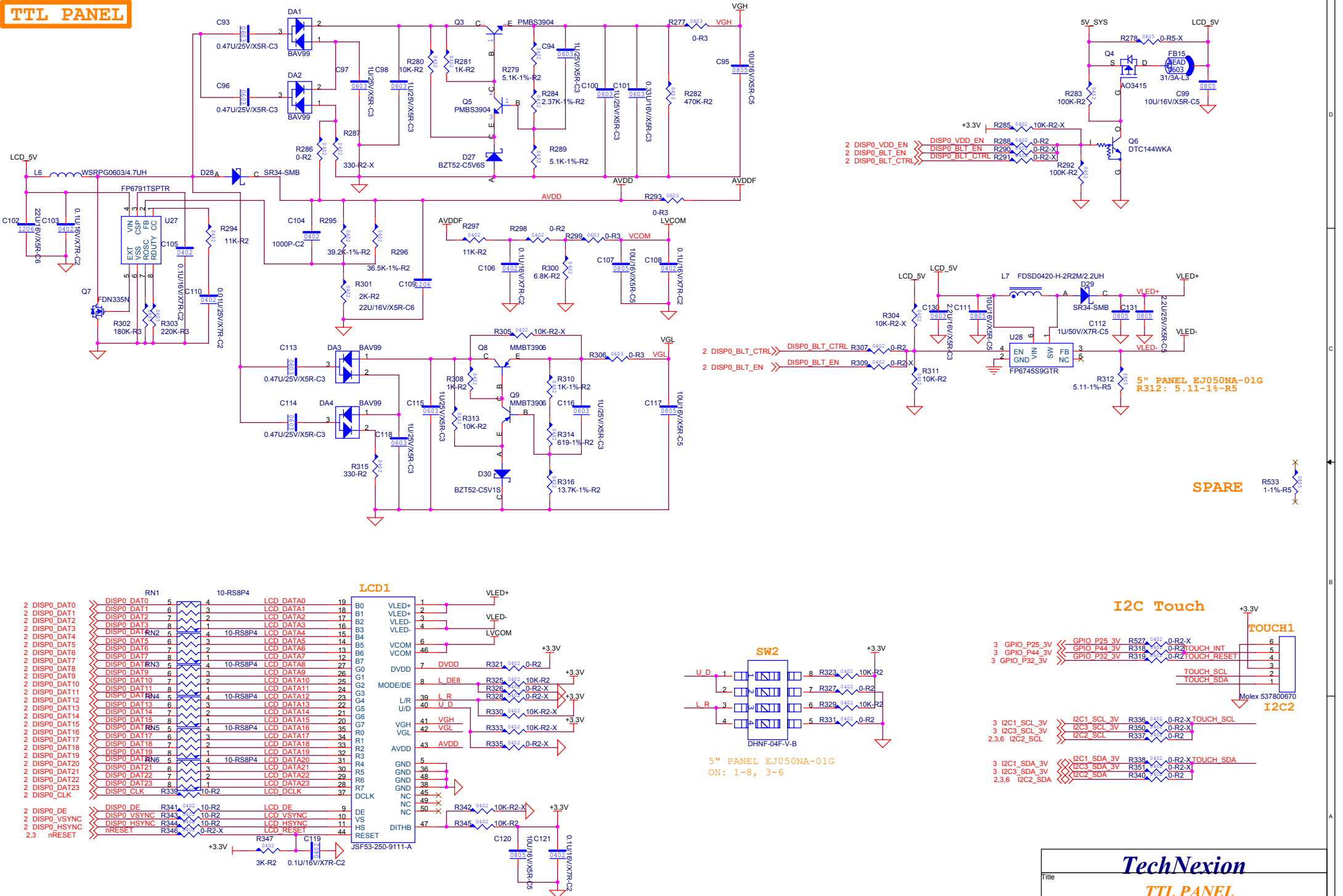
CONSOLE



CAMERA



TTL PANEL



TechNexion

TTL PANEL

Title	TTL PANEL		Rev	B1
Size	Document Number	PICO-PI-GL		
Date:	Friday, September 15, 2017	Sheet	7	of 8

EXPANSION CONN MAPPING TABLE						
JP1	PIN DEFINE	LEVEL	TMX7	CPU MAPPING	TMX6UL	CPU MAPPING
JP1_PIN1	NC	NC				
JP1_PIN2	RESET	3.3V				
JP1_PIN3	CSPI2_CS1_3V	3.3V	K3	ECSPI3.SS0	J17	ECSPI3.SS0
JP1_PIN4	CSPI2_SCLK_3V	3.3V	K2	ECSPI3.SCLK	J16	ECSPI3.SCLK
JP1_PIN5	CSPI2_MISO_3V	3.3V	J2	ECSPI3.MISO	J15	ECSPI3.MISO
JP1_PIN6	CSPI2_MOSI_3V	3.3V	K1	ECSPI3.MOSI	H14	ECSPI3.MOSI
JP1_PIN7	3.3V	3.3V				
JP1_PIN8	GND	GND				
JP2	PIN DEFINE	LEVEL	TMX7	CPU MAPPING	TMX6UL	CPU MAPPING
JP2_PIN1	EXT_PWM	3.3V	R1	PWM1.OUT	F14	PWM7.OUT
JP2_PIN2	INT	3.3V	P21	GPIO2.IO1	E4	GPIO4.IO21
JP2_PIN3	RX_E	3.3V	M23	UART6.TX	H16	UART3_RX
JP2_PIN4	TX_E	3.3V	L25	UART6.RX	H17	UART3_TX
JP2_PIN5	I2CX_SCL_3V	3.3V	L3	I2C1.SCL	F17	I2C2.SCL
JP2_PIN6	I2CX_SDA_3V	3.3V	L4	I2C1.SDA	G13	I2C2.SDA
JP2_PIN7	5V	5V				
JP2_PIN8	GND	GND				
J8	PIN DEFINE	LEVEL	TMX7	CPU MAPPING	TMX6UL	CPU MAPPING
J8_PIN1	3.3V	3.3V				
J8_PIN2	5V	5V				
J8_PIN3	IO_SDA	3.3V	L4	I2C1.SDA	G13	I2C2.SDA
J8_PIN4	5V	5V				
J8_PIN5	IO_SCL	3.3V	L3	I2C1.SCL	F17	I2C2.SCL
J8_PIN6	GND	GND				
J8_PIN7	UART3_RTS_3V	3.3V	L24	UART6.RTS	G14	UART3_RTS
J8_PIN8	UART3_TX_3V	3.3V	L25	UART6.TX	H17	UART3_TX
J8_PIN9	GND	GND				
J8_PIN10	UART3_RX_3V	3.3V	M23	UART6.RX	H16	UART3_RX
J8_PIN11	UART3_CTS_3V	3.3V	L23	UART6.CTS	H15	UART3_CTS
J8_PIN12	PWM1_3V	3.3V	R1	PWM1.OUT	F14	PWM7.OUT
J8_PIN13	GPIO_P30_3V	3.3V	N21	GPIO2.IO3	E2	GPIO4.IO23
J8_PIN14	GND	GND				
J8_PIN15	PWM3_3V	3.3V	R5	PWM3.OUT	NC	NC
J8_PIN16	CAN1_TX	3.3V	C11	CAN1.TX	F16	CAN1.TX
J8_PIN17	3.3V	3.3V				
J8_PIN18	CAN1_RX	3.3V	D11	CAN1.RX	E17	CAN1.RX
J8_PIN19	CSPI2_MOSI_3V	3.3V	K1	ECSPI3.MOSI	H14	ECSPI3.MOSI
J8_PIN20	GND	GND				
J8_PIN21	CSPI2_MISO_3V	3.3V	J2	ECSPI3.MISO	J15	ECSPI3.MISO
J8_PIN22	EXT_GPIO22	3.3V	C6	GPIO5.IO0	J14	GPIO1.IO19
J8_PIN23	CSPI2_SCLK_3V	3.3V	K2	ECSPI3.SCLK	J16	ECSPI3.SCLK
J8_PIN24	CSPI2_CS1_3V	3.3V	K3	ECSPI3.SS0	J17	ECSPI3.SS0
J8_PIN25	GND	GND				
J8_PIN26	CSPI2_CS2_3V	3.3V	M6	ECSPI3.SS1	NC	NC
J8_PIN27	I2C3_SDA_3V	3.3V	L6	I2C2.SDA	K16	I2C3.SDA
J8_PIN28	I2C3_SCL_3V	3.3V	L5	I2C2.SCL	K14	I2C3.SCL
J8_PIN29	GPIO_P26_3V	3.3V	P21	GPIO2.IO1	E4	GPIO4.IO21
J8_PIN30	GND	GND				
J8_PIN31	GPIO_P28_3V	3.3V	N20	GPIO2.IO2	E3	GPIO4.IO22
J8_PIN32	EXT_GPIO32	3.3V	C5	GPIO5.IO4	NC	NC
J8_PIN33	PWM2_3V	3.3V	R2	PWM2.OUT	D15	PWM8.OUT
J8_PIN34	GND	GND				
J8_PIN35	GPIO_P24_3V	3.3V	P20	GPIO2.IO0	F2	GPIO4.IO21
J8_PIN36	GPIO_P48_3V	3.3V	M22	GPIO2.IO7	P11	GPIO5.IO2
J8_PIN37	GPIO_P34_3V	3.3V	M20	GPIO2.IO5	K15	GPIO1.IO18
J8_PIN38	CAN2_TX	3.3V	E11	CAN2.TX	E16	CAN2.TX
J8_PIN39	GND	GND				
J8_PIN40	CAN2_RX	3.3V	D11	CAN2.RX	E15	CAN2.RX

TechNexion		
EXPANSION PIN OUT		
Title		
Size	Document Number	Rev
Custom		B1
PICO-PI-GL		
Date:	Friday, September 15, 2017	Sheet 8 of 8