

PICO-PI-FL REV:B1

L=6, 85 x 56 mm

PAGE TITLE

P01 INDEX

P02 Board to Board

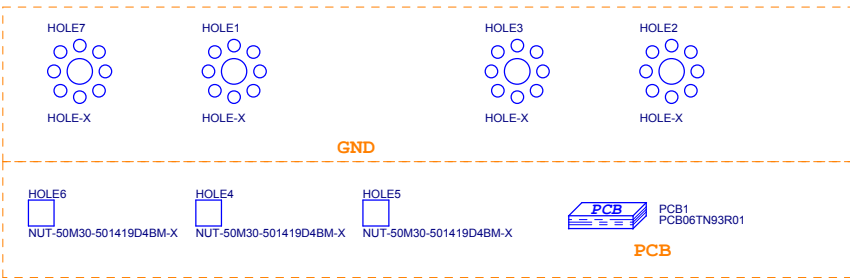
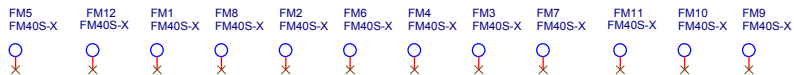
P03 DC-DC & MIKROBUS

P04 AUDIO & BOOT

P05 RGMII & RMII

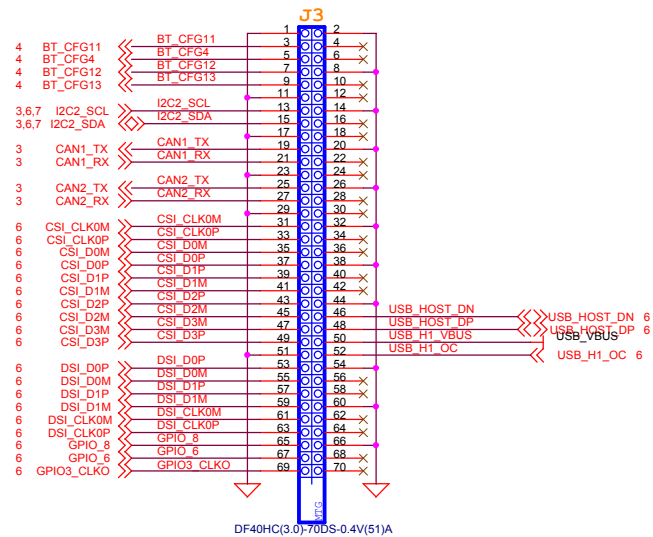
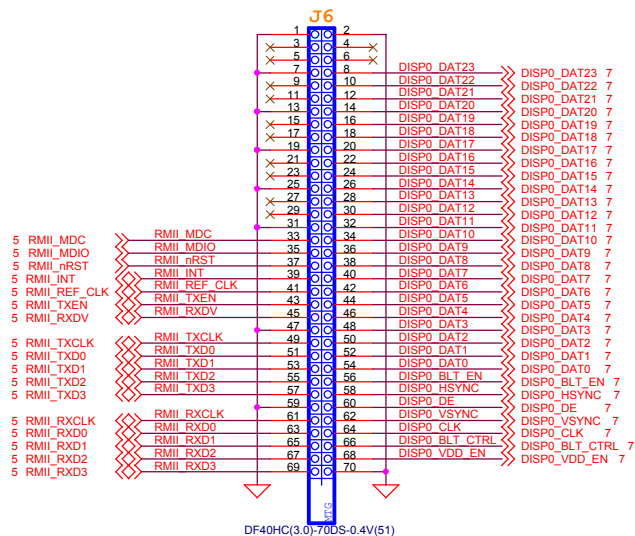
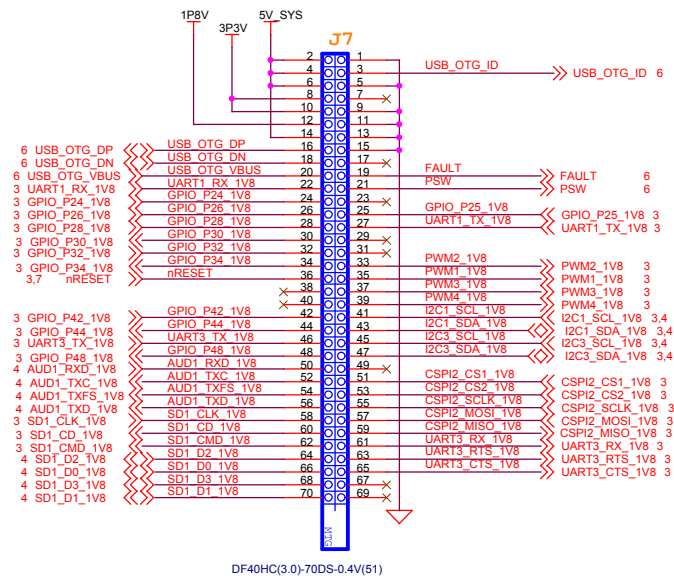
P06 USB & CAMERA

P07 TTL PANEL

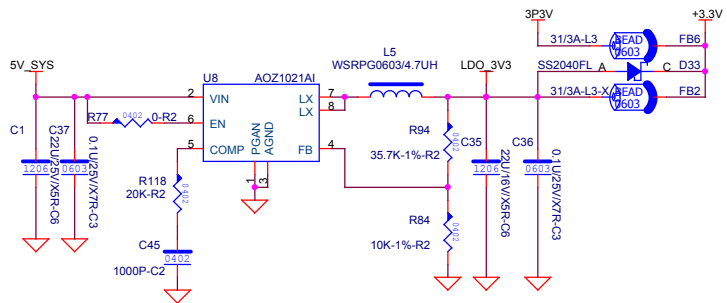


Components marked -X are not populated (DNP)

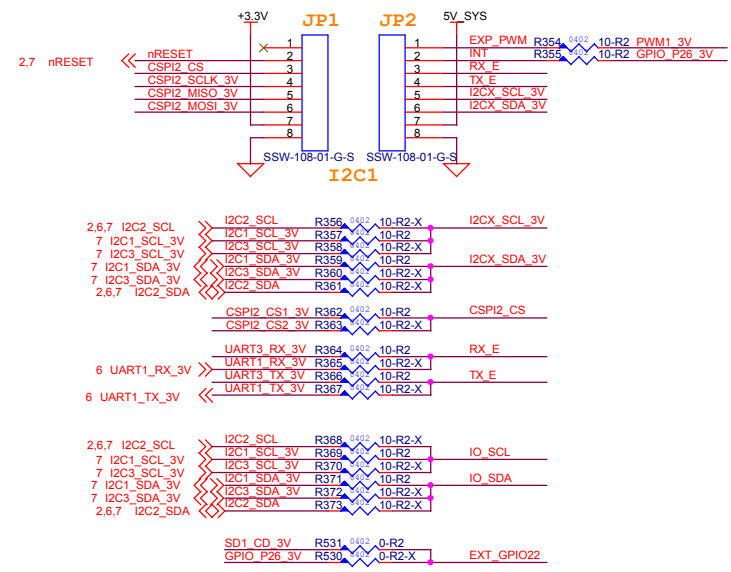
TechNexion		
Title		
INDEX		
Size	Document Number	Rev
Custom	PICO-PI-FL	B1
Date:	Wednesday, July 12, 2017	Sheet 1 of 8



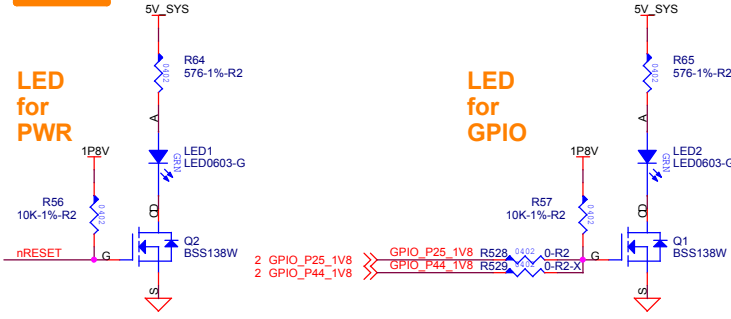
DC-DC



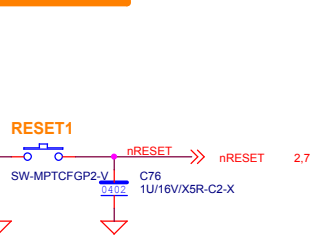
MIKROBUS



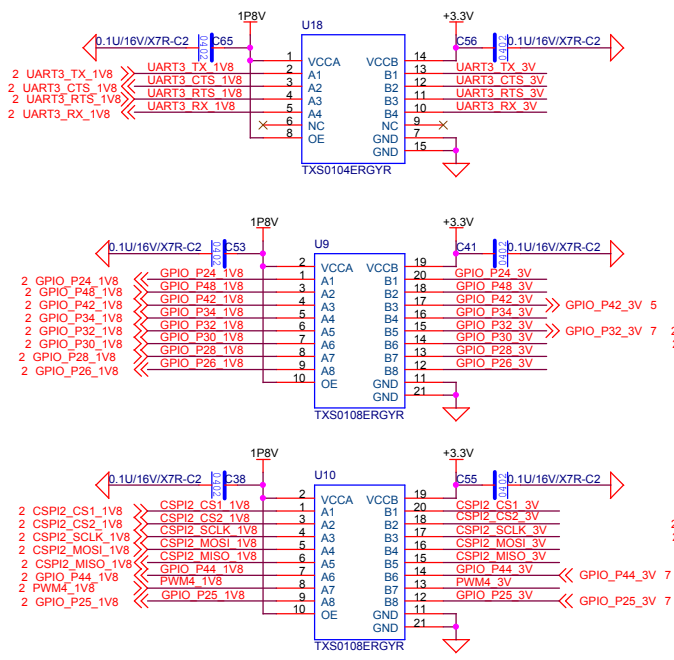
LED



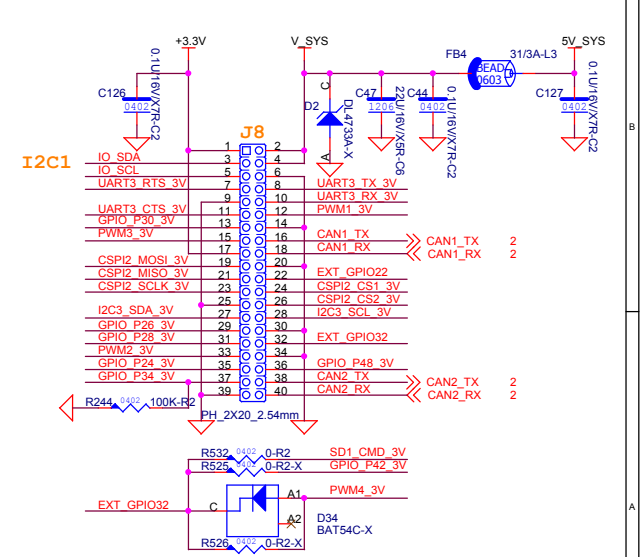
RESET



LEVEL SHIFT



EXPANSION IO

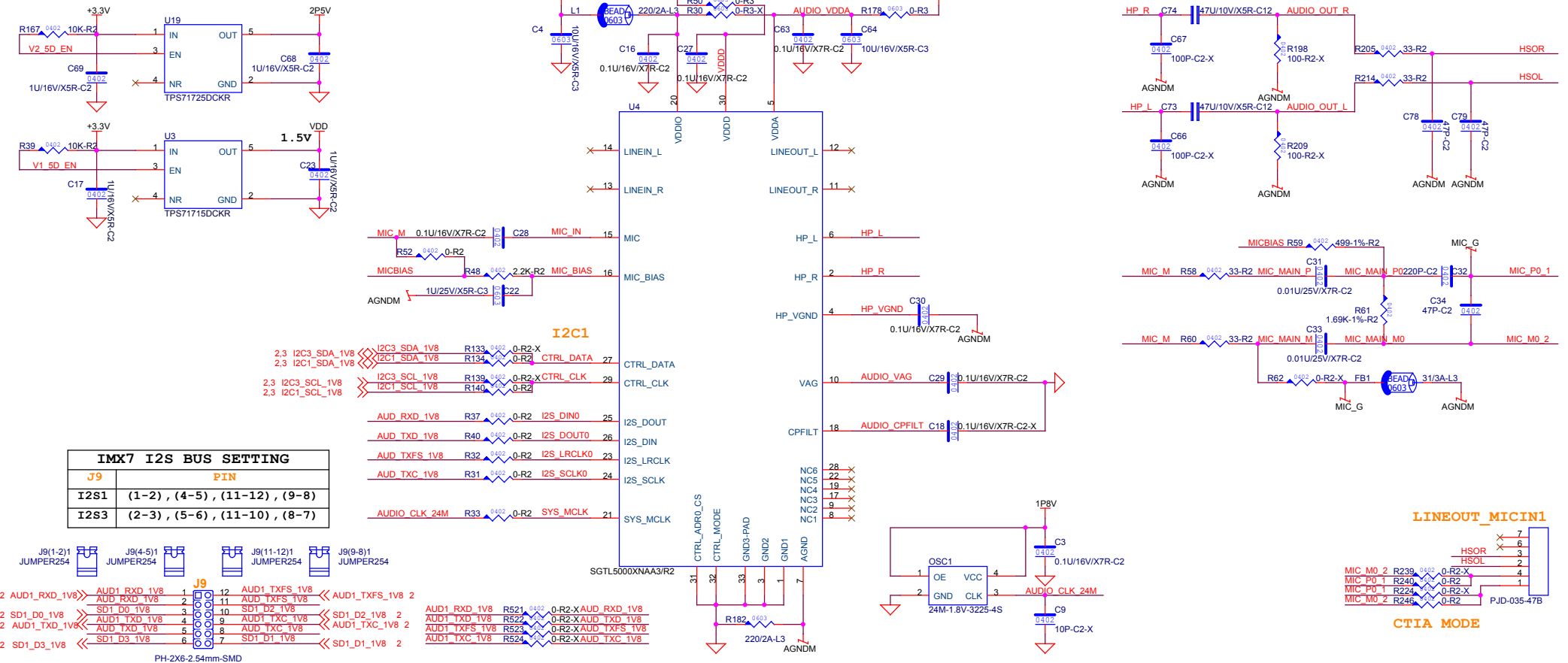


TechNexion

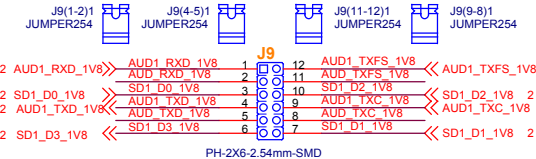
DC-DC & MIKROBUS

Title		Rev B1	
Size	Document Number	PICO-PI-FL	
Custom		Date: Wednesday, July 12, 2017	
		Sheet	3 of 8

AUDIO



IMX7 I2S BUS SETTING	
J9	PIN
I2S1	(1-2), (4-5), (11-12), (9-8)
I2S3	(2-3), (5-6), (11-10), (8-7)



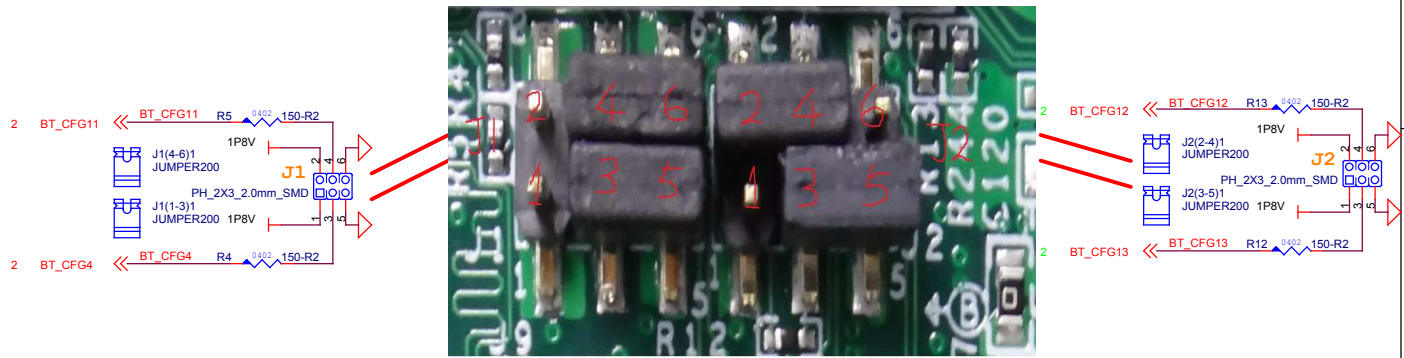
BOOT PIN HEADER

BASEBoard	IMX6	IMX6UL/ULL	IMX7
I2C1	I2C1	I2C2	I2C1
I2C3	I2C2	I2C3	I2C2
I2C2	I2C3	I2C1	I2C4
AUDIO			CAMERA
MIKROBUS			TOUCH
EXPANSION			

PICO IMX6/IMX6QPOP/IMX7 BOOT Jumper Settings		
	J1	J2
SD (Module)	2-4	2-4
eMMC	2-4	4-6
Serial Downloader	4-6	2-4
	J1	J2
SD (Module)	3-5	3-5
eMMC	1-3	1-3
Serial Downloader	3-5	1-3

PICO IMX6UL/ULL-eMMC BOOT Jumper Settings		
MODE0	MODE1	BMODE[0:1]
J1	J1	
2-4	3-5	Serial Downloader
4-6	1-3	Internal Boot

PICO IMX6UL/ULL-NAND BOOT Jumper Settings		
	J1	J2
NAND	2-4	2-4
	J1	J2
NAND	3-5	3-5

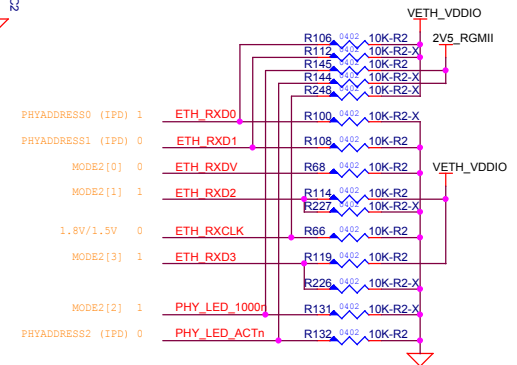
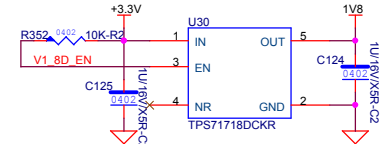
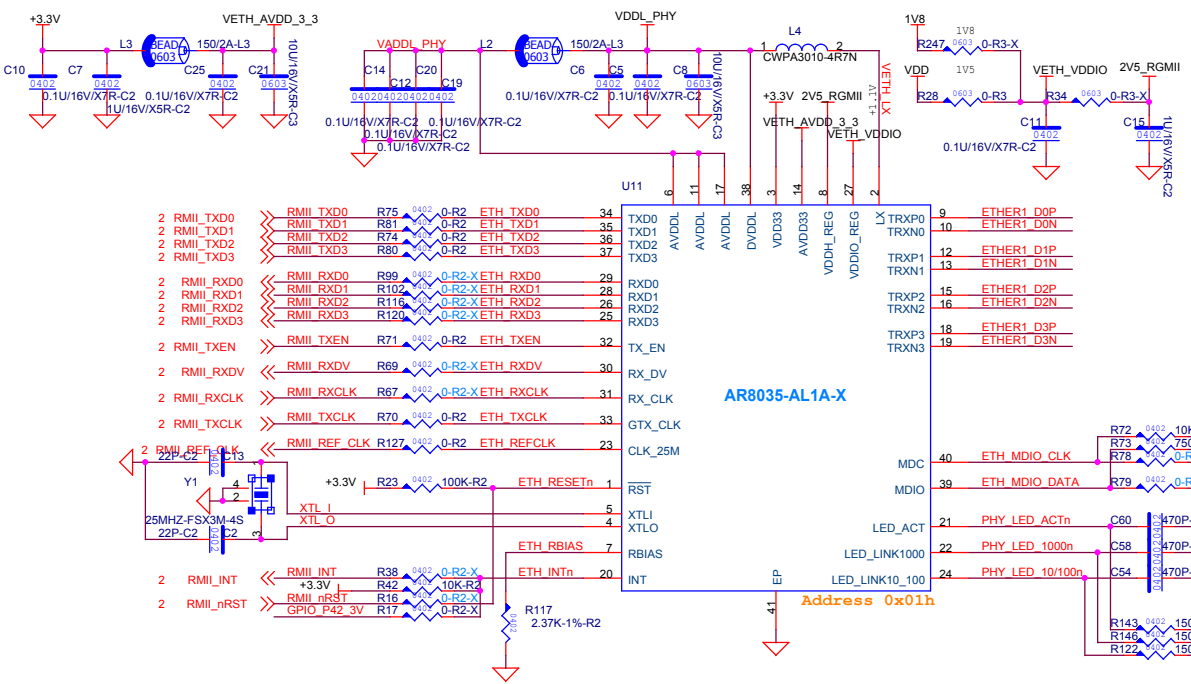


TechNexion

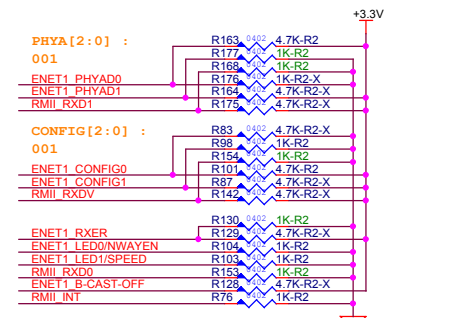
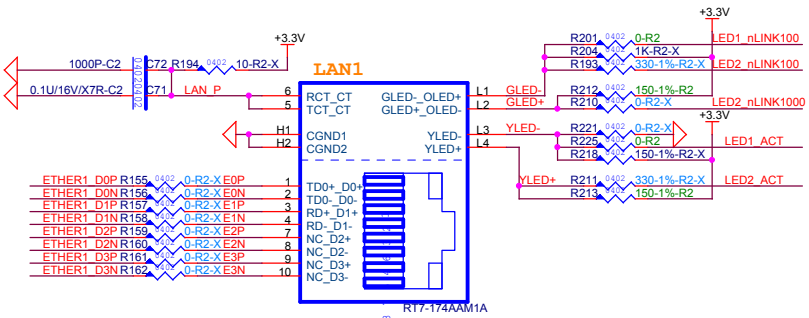
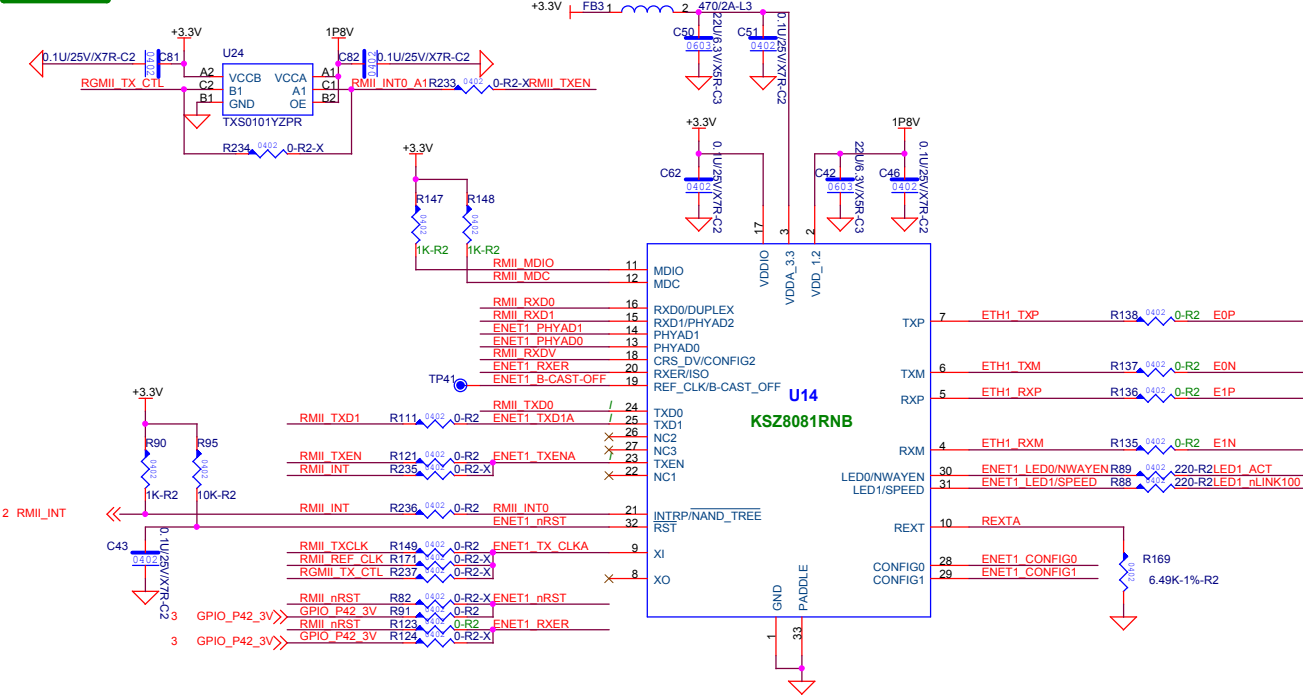
AUDIO & ROOT

Title		
Size Custom	Document Number	Rev B1
PICO-PI-FL		
Date:	Wednesday, July 12, 2017	Sheet 4 of 8

RGMI I



RMII I

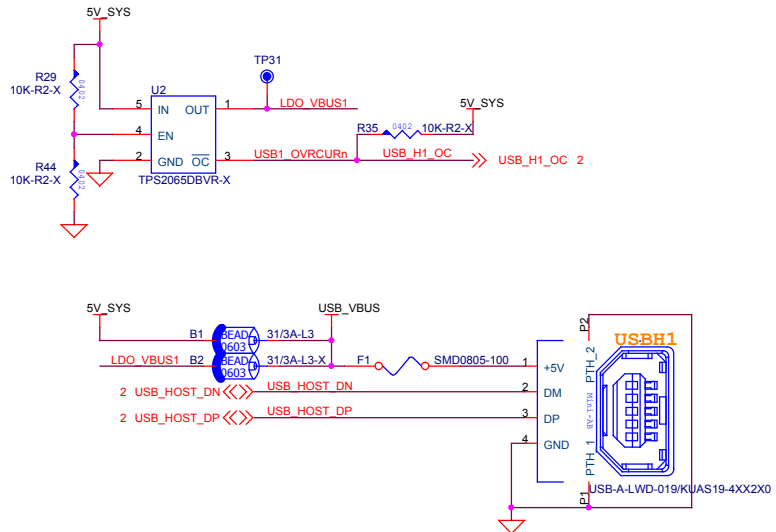


TechNexion

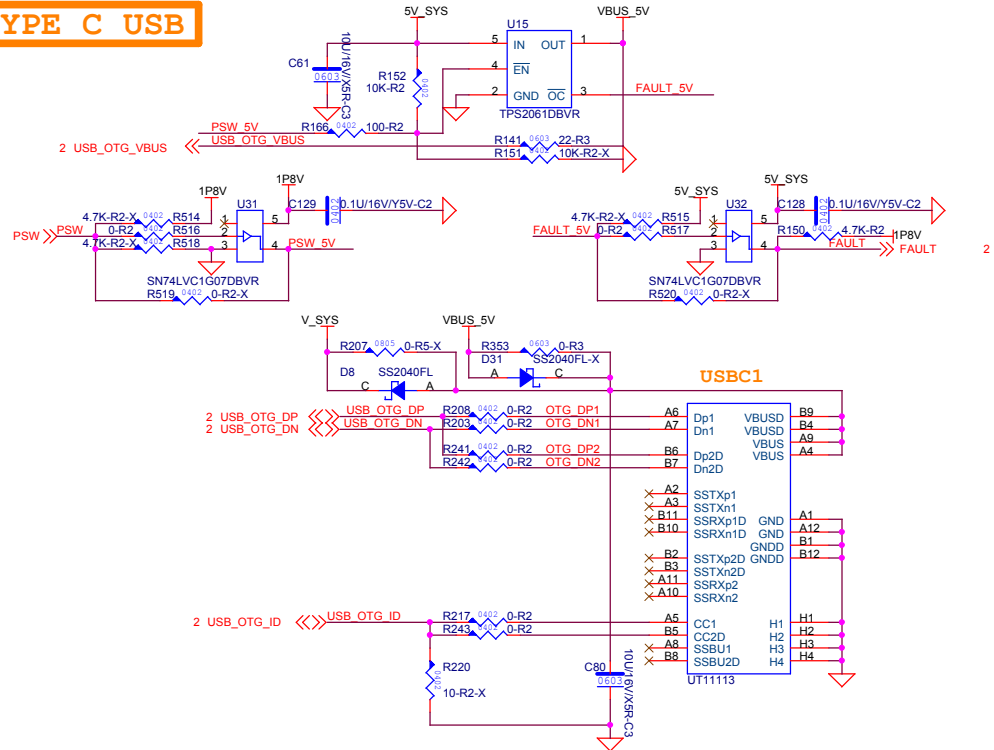
RGMI I / RMII I

Title		
Size	Document Number	Rev
Custom	PICO-PI-FL	B1
Date:	Wednesday, July 12, 2017	Sheet 5 of 8

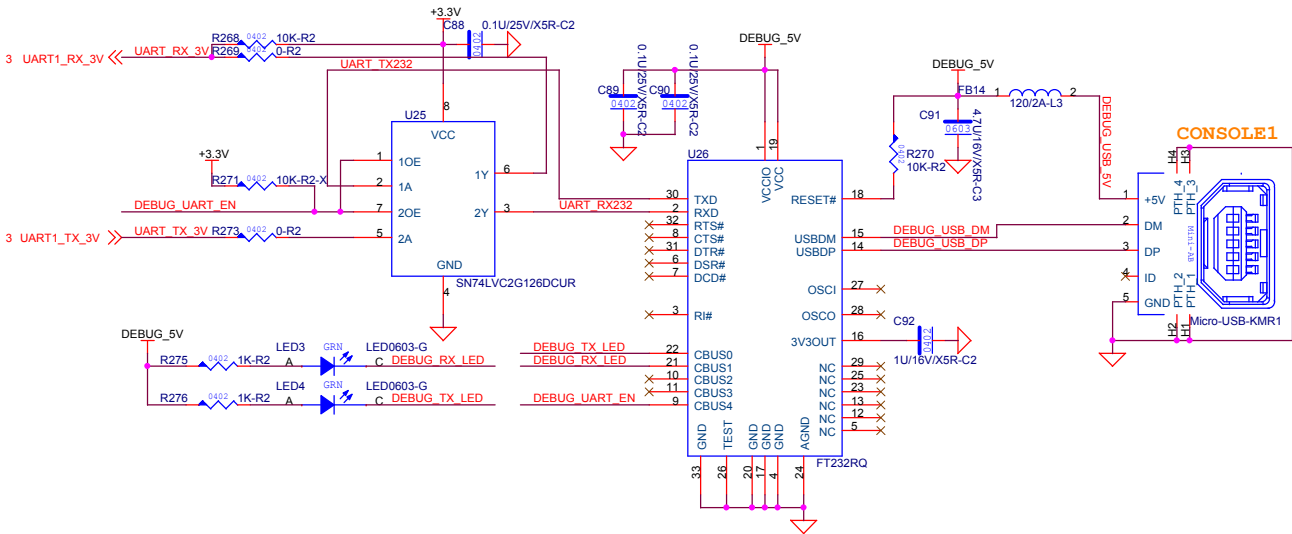
HOST USB



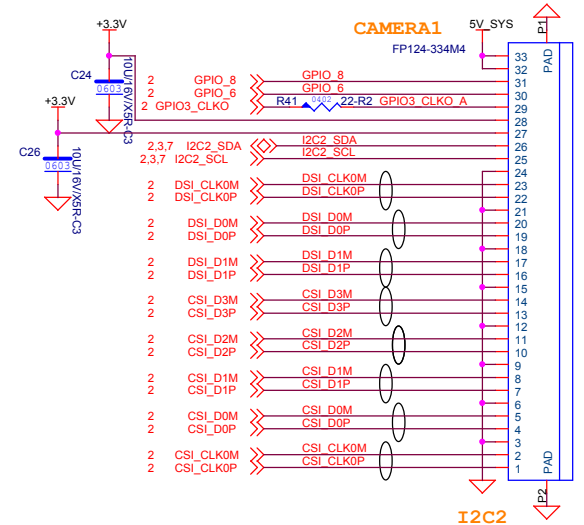
TYPE C USB



CONSOLE



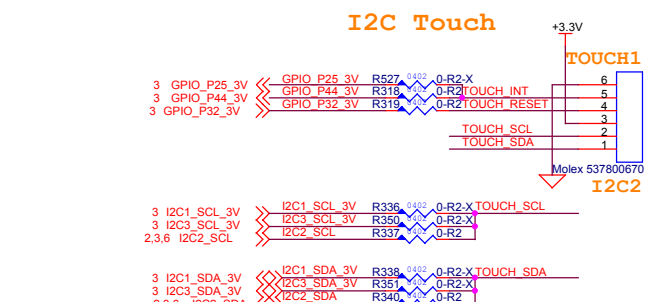
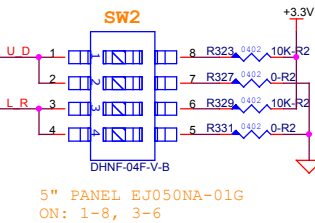
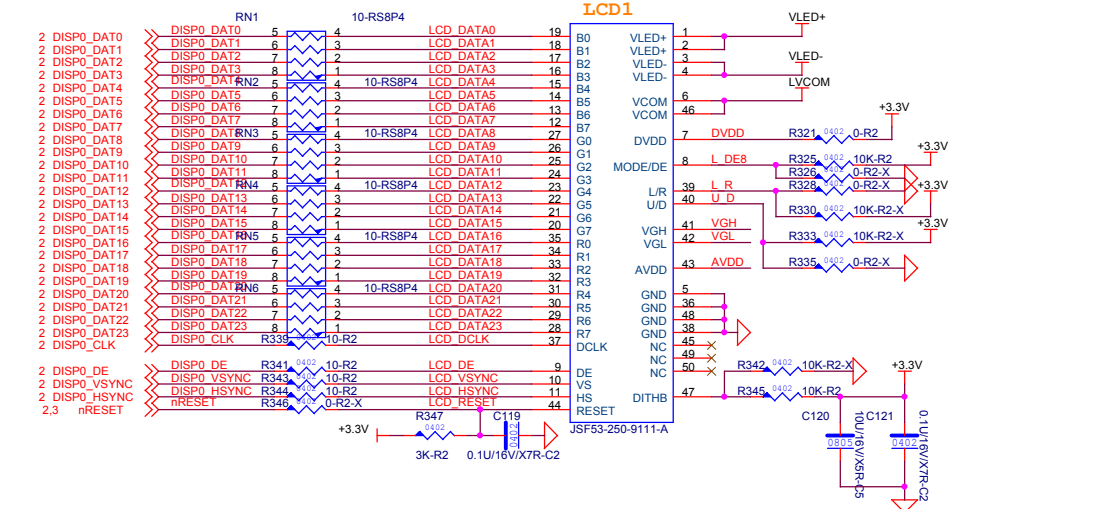
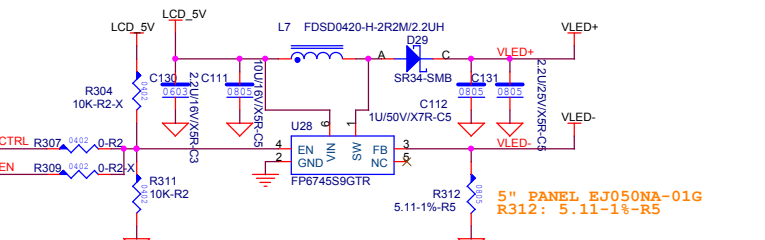
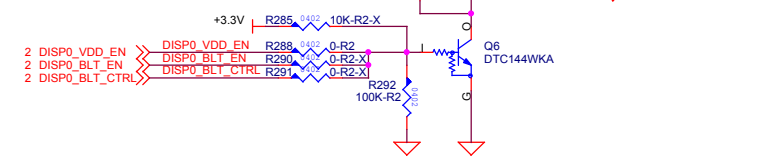
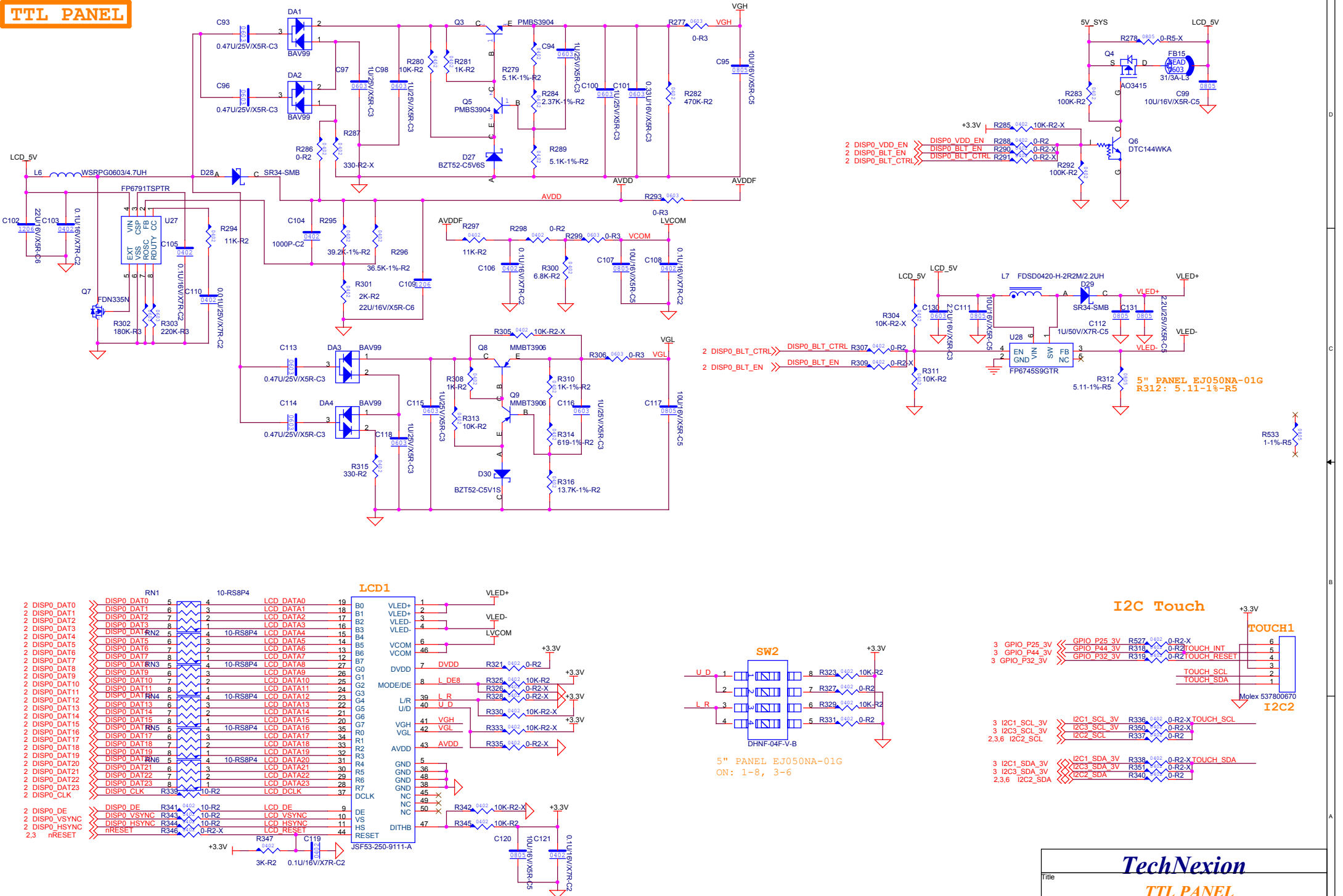
CAMERA



TechNexion
USB & CAMERA

Title		Rev
Size Custom		B1
Date: Wednesday, July 12, 2017		Sheet 6 of 8

TTL PANEL



TechNexion
TTL PANEL

Title	TTL PANEL	
Size	Document Number	Rev
Custom	PICO-PI-FL	B1
Date:	Wednesday, July 12, 2017	Sheet 7 of 8

EXPANSION CONN MAPPING TABLE						
JP1	PIN DEFINE	LEVEL	IMX7	CPU MAPPING	IMX6UL	CPU MAPPING
JP1_PIN1	NC	NC				
JP1_PIN2	RESET	3.3V				
JP1_PIN3	CSPI2_CS1_3V	3.3V	K3	ECSPI3.SS0	J17	ECSPI3.SS0
JP1_PIN4	CSPI2_SCLK_3V	3.3V	K2	ECSPI3.SCLK	J16	ECSPI3.SCLK
JP1_PIN5	CSPI2_MISO_3V	3.3V	J2	ECSPI3.MISO	J15	ECSPI3.MISO
JP1_PIN6	CSPI2_MOSI_3V	3.3V	K1	ECSPI3.MOSI	H14	ECSPI3.MOSI
JP1_PIN7	3.3V	3.3V				
JP1_PIN8	GND	GND				
JP2	PIN DEFINE	LEVEL	IMX7	CPU MAPPING	IMX6UL	CPU MAPPING
JP2_PIN1	EXT_PWM	3.3V	R1	PWM1.OUT	F14	PWM7.OUT
JP2_PIN2	INT	3.3V	P21	GPIO2.IO1	E4	GPIO4.IO21
JP2_PIN3	RX_E	3.3V	M23	UART6.TX	H16	UART3_RX
JP2_PIN4	TX_E	3.3V	L25	UART6.RX	H17	UART3_TX
JP2_PIN5	I2CX_SCL_3V	3.3V	L3	I2C1.SCL	F17	I2C2.SCL
JP2_PIN6	I2CX_SDA_3V	3.3V	L4	I2C1.SDA	G13	I2C2.SDA
JP2_PIN7	5V	5V				
JP2_PIN8	GND	GND				
J8	PIN DEFINE	LEVEL	IMX7	CPU MAPPING	IMX6UL	CPU MAPPING
J8_PIN1	3.3V	3.3V				
J8_PIN2	5V	5V				
J8_PIN3	IO_SDA	3.3V	L4	I2C1.SDA	G13	I2C2.SDA
J8_PIN4	5V	5V				
J8_PIN5	IO_SCL	3.3V	L3	I2C1.SCL	F17	I2C2.SCL
J8_PIN6	GND	GND				
J8_PIN7	UART3_RTS_3V	3.3V	L24	UART6.RTS	G14	UART3_RTS
J8_PIN8	UART3_TX_3V	3.3V	L25	UART6.TX	H17	UART3_TX
J8_PIN9	GND	GND				
J8_PIN10	UART3_RX_3V	3.3V	M23	UART6.RX	H16	UART3_RX
J8_PIN11	UART3_CTS_3V	3.3V	L23	UART6.CTS	H15	UART3_CTS
J8_PIN12	PWM1_3V	3.3V	R1	PWM1.OUT	F14	PWM7.OUT
J8_PIN13	GPIO_P30_3V	3.3V	N21	GPIO2.IO3	E2	GPIO4.IO23
J8_PIN14	GND	GND				
J8_PIN15	PWM3_3V	3.3V	R5	PWM3.OUT	NC	NC
J8_PIN16	CAN1_TX	3.3V	C11	CAN1.TX	F16	CAN1.TX
J8_PIN17	3.3V	3.3V				
J8_PIN18	CAN1_RX	3.3V	D11	CAN1.RX	E17	CAN1.RX
J8_PIN19	CSPI2_MOSI_3V	3.3V	K1	ECSPI3.MOSI	H14	ECSPI3.MOSI
J8_PIN20	GND	GND				
J8_PIN21	CSPI2_MISO_3V	3.3V	J2	ECSPI3.MISO	J15	ECSPI3.MISO
J8_PIN22	EXT_GPIO22	3.3V	C6	GPIO5.IO0	J14	GPIO1.IO19
J8_PIN23	CSPI2_SCLK_3V	3.3V	K2	ECSPI3.SCLK	J16	ECSPI3.SCLK
J8_PIN24	CSPI2_CS1_3V	3.3V	K3	ECSPI3.SS0	J17	ECSPI3.SS0
J8_PIN25	GND	GND				
J8_PIN26	CSPI2_CS2_3V	3.3V	M6	ECSPI3.SS1	NC	NC
J8_PIN27	I2C3_SDA_3V	3.3V	L6	I2C2.SDA	K16	I2C3.SDA
J8_PIN28	I2C3_SCL_3V	3.3V	L5	I2C2.SCL	K14	I2C3.SCL
J8_PIN29	GPIO_P26_3V	3.3V	P21	GPIO2.IO1	E4	GPIO4.IO21
J8_PIN30	GND	GND				
J8_PIN31	GPIO_P28_3V	3.3V	N20	GPIO2.IO2	E3	GPIO4.IO22
J8_PIN32	EXT_GPIO32	3.3V	C5	GPIO5.IO4	NC	NC
J8_PIN33	PWM2_3V	3.3V	R2	PWM2.OUT	D15	PWM8.OUT
J8_PIN34	GND	GND				
J8_PIN35	GPIO_P24_3V	3.3V	P20	GPIO2.IO0	F2	GPIO4.IO21
J8_PIN36	GPIO_P48_3V	3.3V	M22	GPIO2.IO7	P11	GPIO5.IO2
J8_PIN37	GPIO_P34_3V	3.3V	M20	GPIO2.IO5	K15	GPIO1.IO18
J8_PIN38	CAN2_TX	3.3V	E11	CAN2.TX	E16	CAN2.TX
J8_PIN39	GND	GND				
J8_PIN40	CAN2_RX	3.3V	D11	CAN2.RX	E15	CAN2.RX

TechNexion		
EXPANSION PIN OUT		
Title		
Size	Document Number	Rev
Custom	PICO-PI-FL	B1
Date:	Wednesday, July 12, 2017	Sheet 8 of 8