

EDM1-GNOME REV:A1

L=6, 100 x 72 mm

PAGE TITLE

P01 INDEX

P02 BOARD TO BOARD

P03 DC TO DC

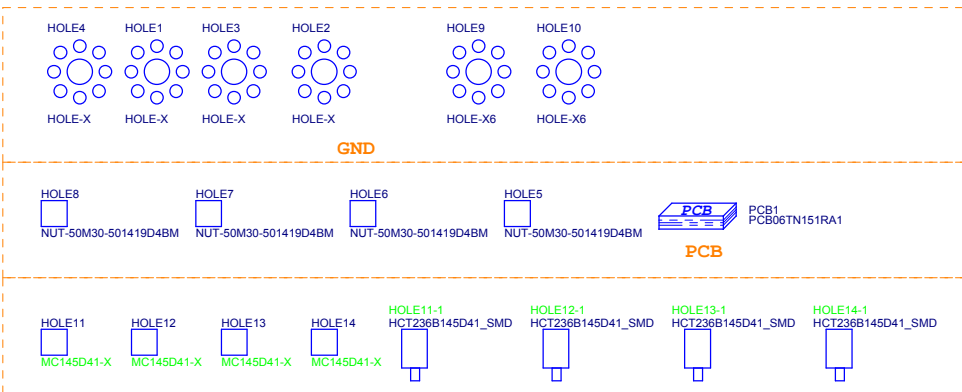
P04 CLIX

P05 AUDIO & BOOT

P06 ETHERNET & USB

P07 TTL PANEL

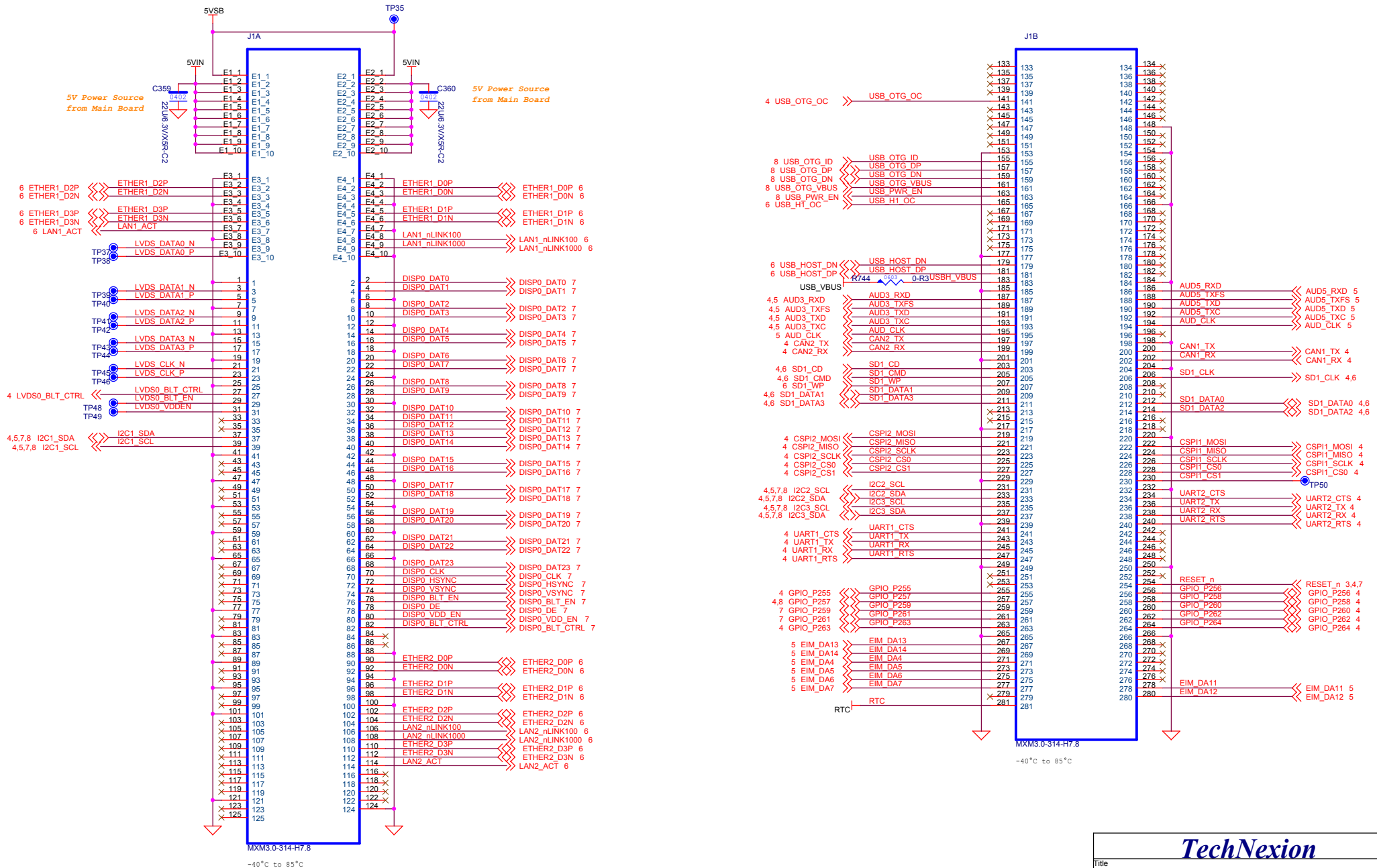
P08 USB OTG & PD



Components marked -X are not populated (DNP)

TechNexion		
Title		
INDEX		
Size Custom	Document Number	Rev
	EDM1-GNOME	A1
Date:	Wednesday, October 03, 2018	Sheet 1 of 8

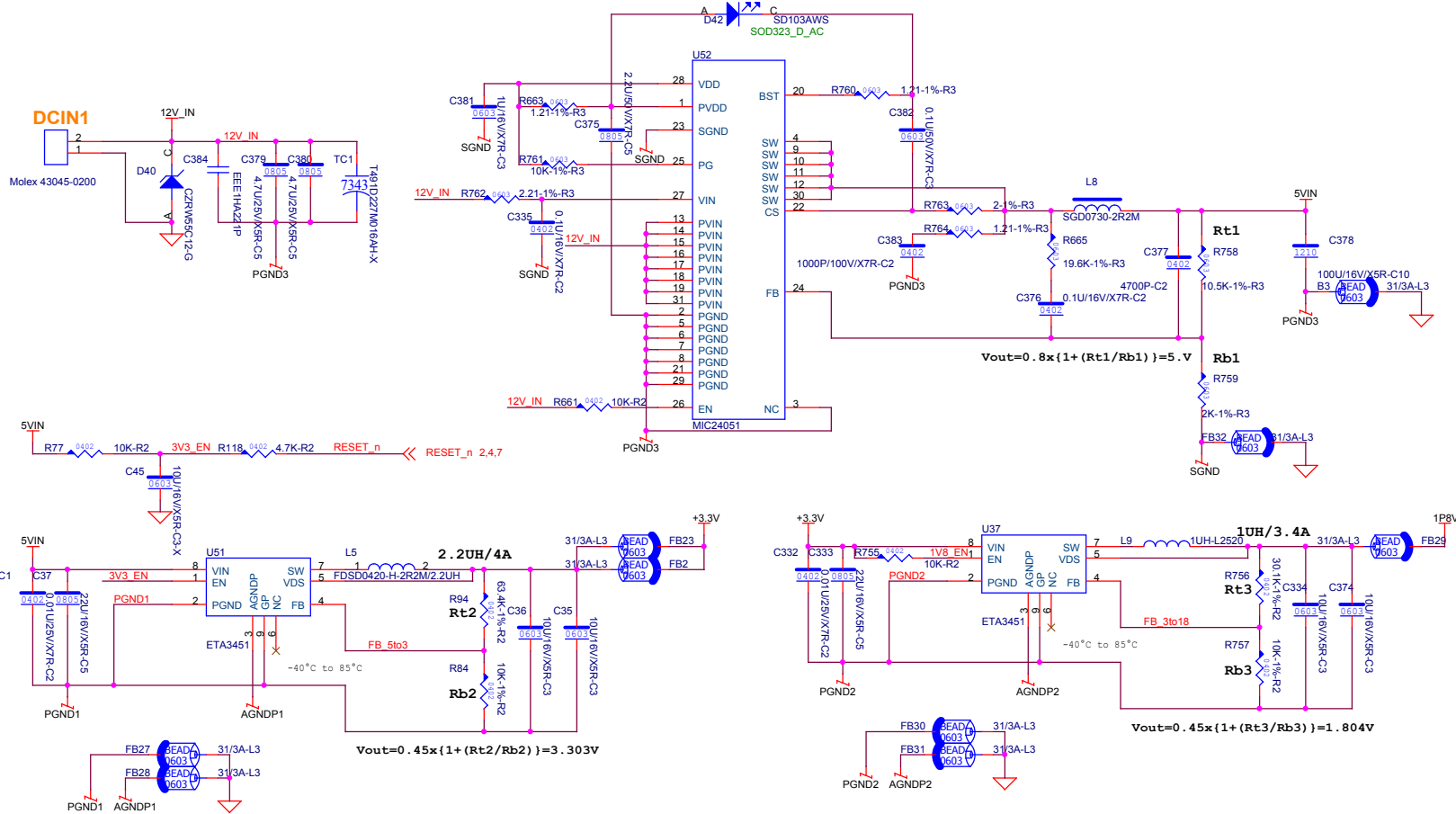
BOARD TO BOARD



TechNexion		
BOARD TO BOARD		
Title		
Size	Document Number	Rev
Custom	EDM1-GNOME	A1
Date:	Wednesday, October 03, 2018	Sheet 2 of 8

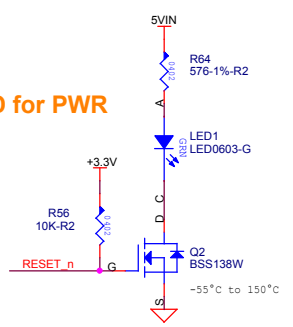
DC-DC

Different from REV0.2 power scheme

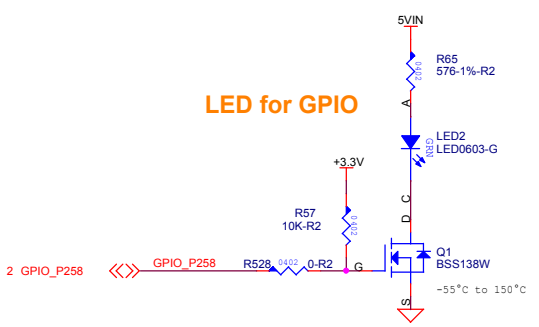


LED

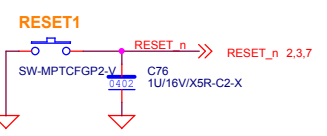
LED for PWR



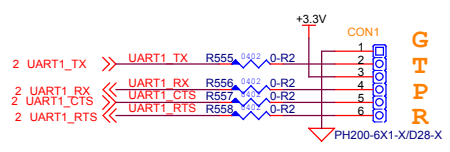
LED for GPIO



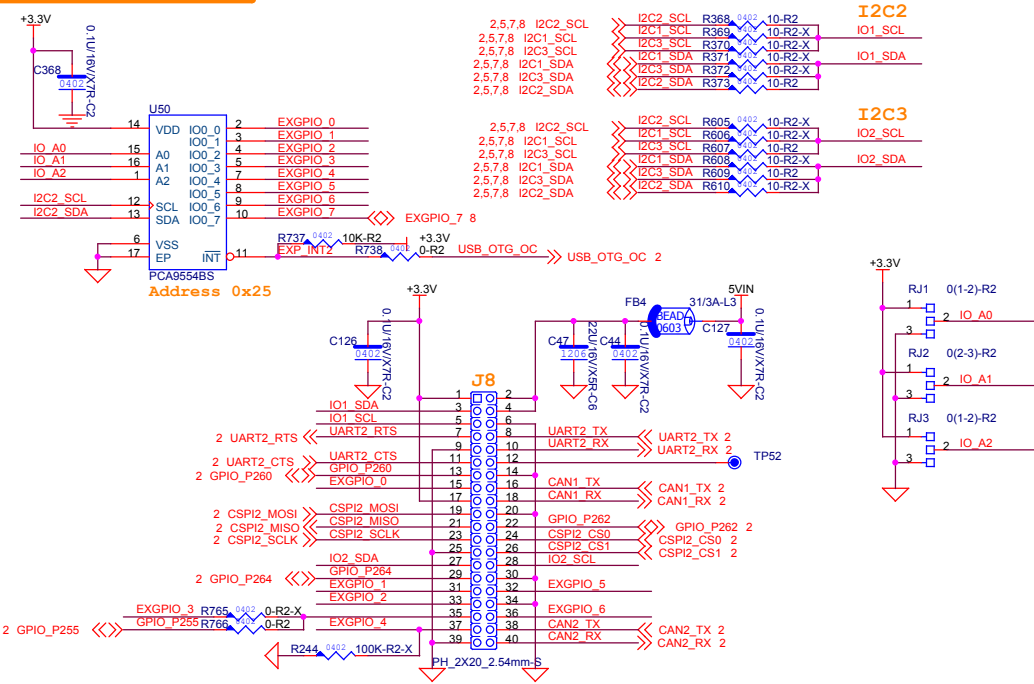
RESET



CONSOLE

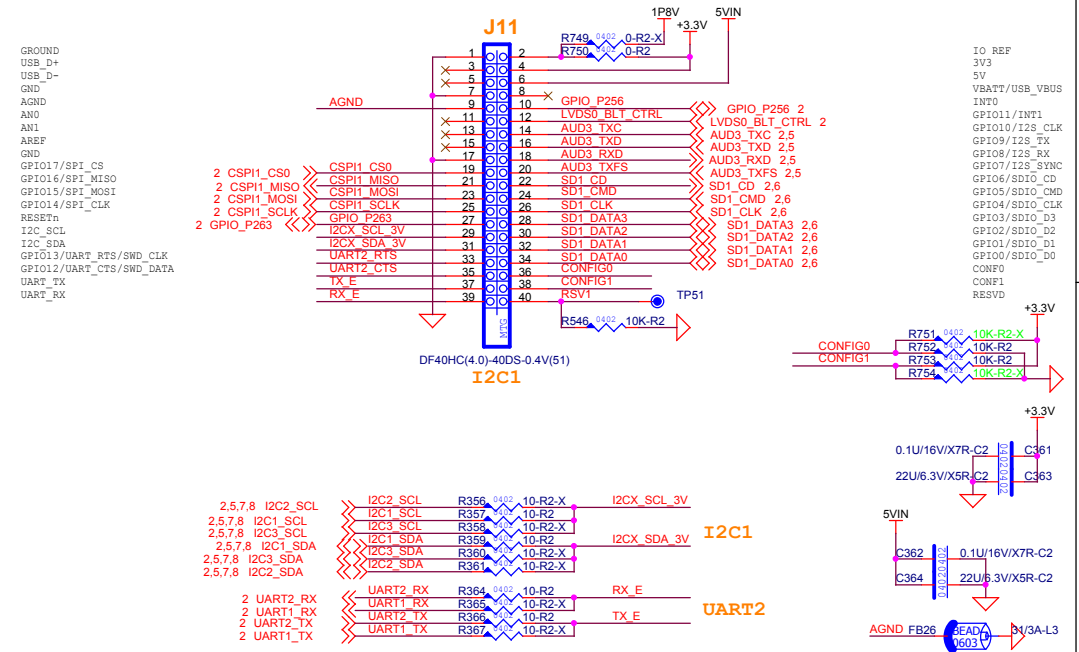


EXPANSION IO

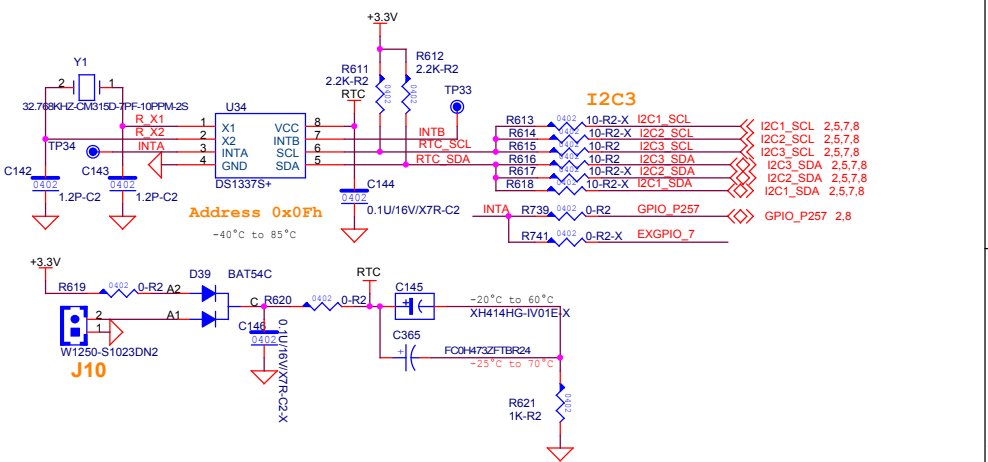


CLIX

Different from REV0.2

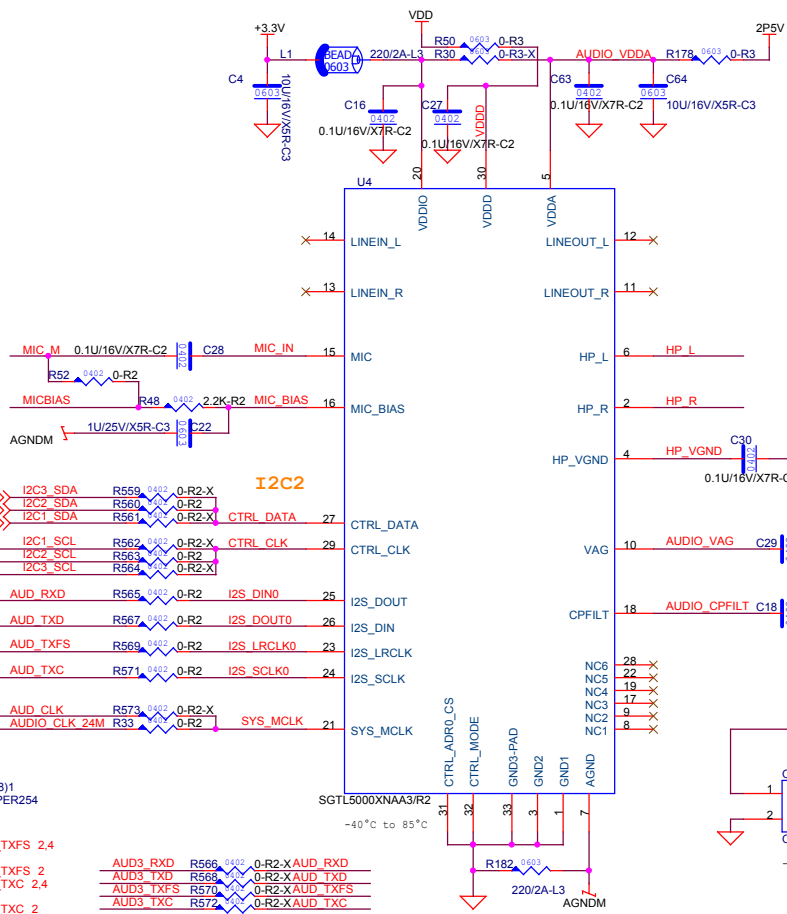
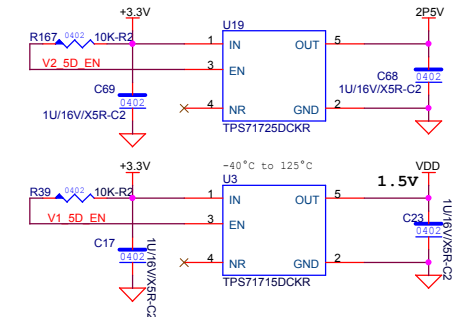


RTC



TechNexion		
CLIX		
Title		
Size	Document Number	Rev
Custom	EDM1-GNOME	A1
Date:	Monday, October 08, 2018	Sheet 4 of 8

AUDIO

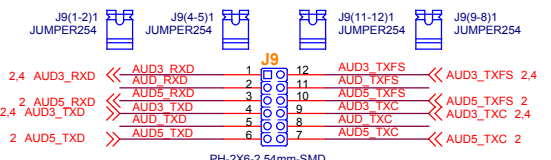


I2C2

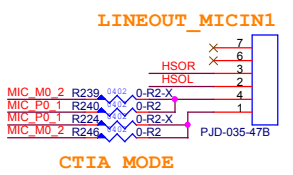
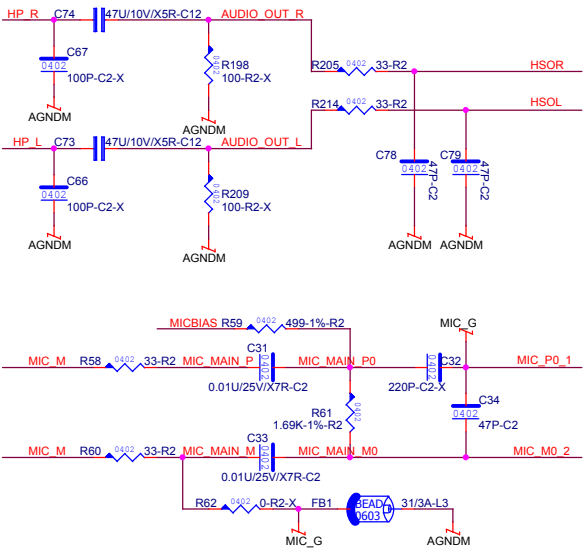
2,4,7,8 I2C3_SDA	R559	0-R2-X	I2C3_SDA	R559	0-R2-X
2,4,7,8 I2C2_SDA	R560	0-R2-X	I2C2_SDA	R560	0-R2-X
2,4,7,8 I2C1_SDA	R561	0-R2-X	CTRL_DATA	R561	0-R2-X
2,4,7,8 I2C3_SCL	R562	0-R2-X	I2C3_SCL	R562	0-R2-X
2,4,7,8 I2C2_SCL	R563	0-R2-X	I2C2_SCL	R563	0-R2-X
2,4,7,8 I2C1_SCL	R564	0-R2-X	CTRL_CLK	R564	0-R2-X

IMX6 I2S BUS SETTING

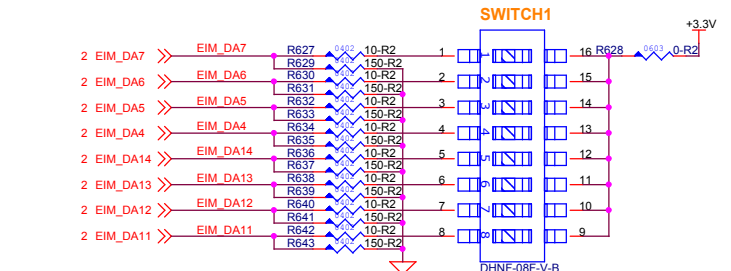
J9	PIN
I2S3	(1-2), (4-5), (11-12), (9-8)
I2S5	(2-3), (5-6), (11-10), (8-7)



AUD3_RXD	R566	0-R2-X	AUD3_RXD
AUD3_TXD	R568	0-R2-X	AUD3_TXD
AUD3_TXFS	R570	0-R2-X	AUD3_TXFS
AUD3_TXC	R572	0-R2-X	AUD3_TXC



BOOT PINS



IMX6UL BOOT SETTING

SWITCH	1-16	2-15	3-14	4-13	5-12	6-11	7-10	8-9
1 = HIGH								
0 = LOW	CFG1_7	CFG1_6	CFG1_5	CFG1_4	CFG2_5	CFG2_3	Boot MODE0	Boot MODE1
SD1 (Baseboard)	0	1	0	1	1	0	0	1
NAND	1	0	0	1	1	0	0	1

IMX6 BOOT SETTING

SWITCH	1-16	2-15	3-14	4-13	5-12	6-11	7-10	8-9
1 = HIGH								
0 = LOW	CFG1_7	CFG1_6	CFG1_5	CFG1_4	CFG2_6	CFG2_5	CFG2_4	CFG2_3
SD1 (Baseboard)	0	1	0	1	0	1	0	0
i-NAND	0	1	1	0	1	0	1	0

IMX7 BOOT SETTING

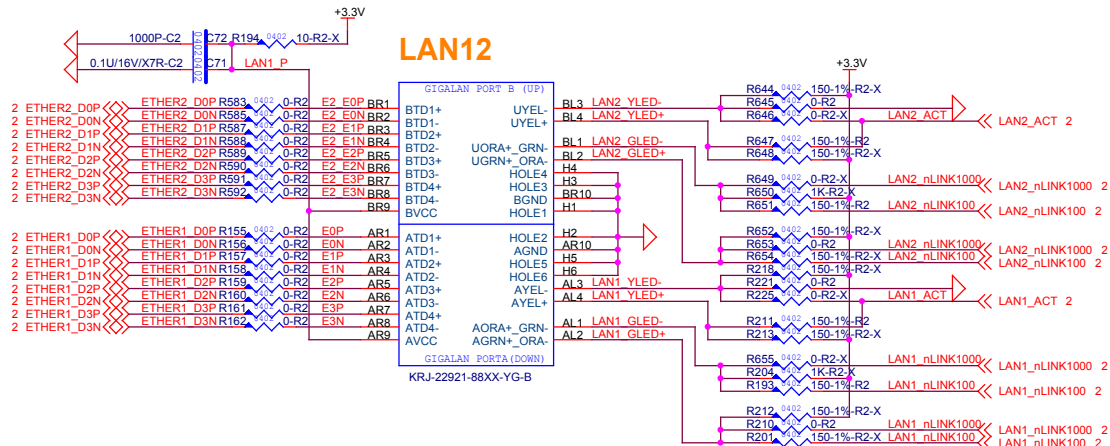
SWITCH	1-16	2-15	3-14	4-13	5-12	6-11	7-10	8-9
1 = HIGH								
0 = LOW	CFG13	CFG12	CFG11	CFG10	CFG4	CFG1	Boot MODE0	Boot MODE1
SD1 (Baseboard)	0	1	0	0	0	0	0	1
i-NAND	1	0	1	0	1	0	0	1

TechNexion

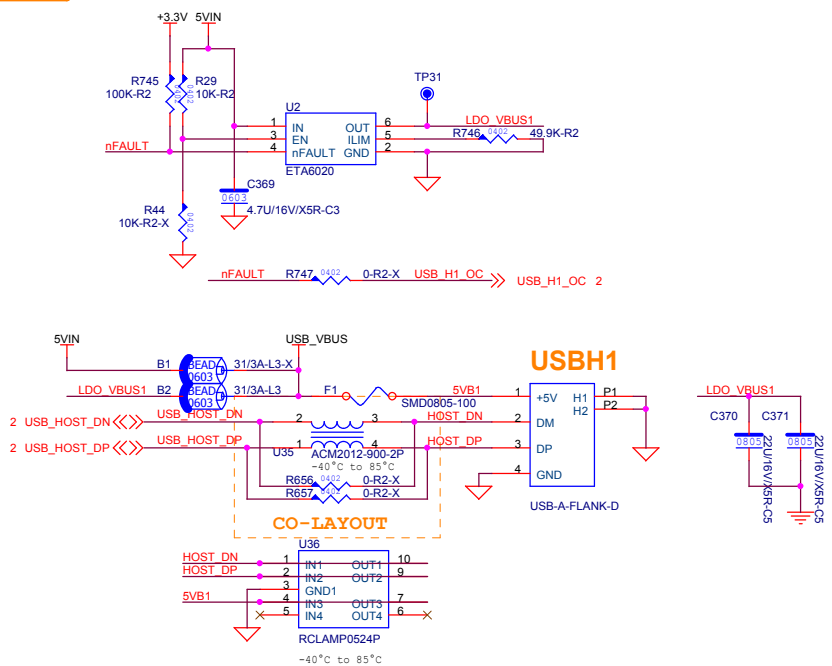
AUDIO & BOOT

Title		
Size Custom	Document Number	Rev A1
EDM1-GNOME		
Date:	Wednesday, October 03, 2018	Sheet 5 of 8

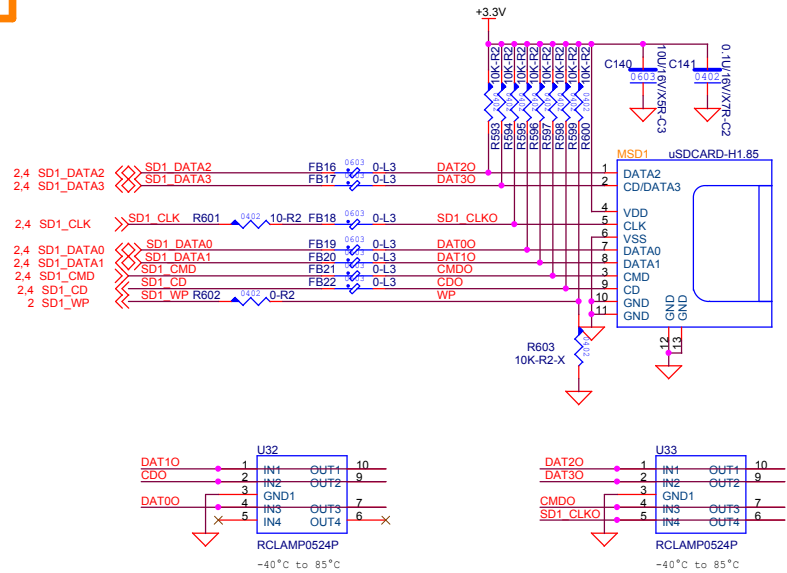
ETHERNET



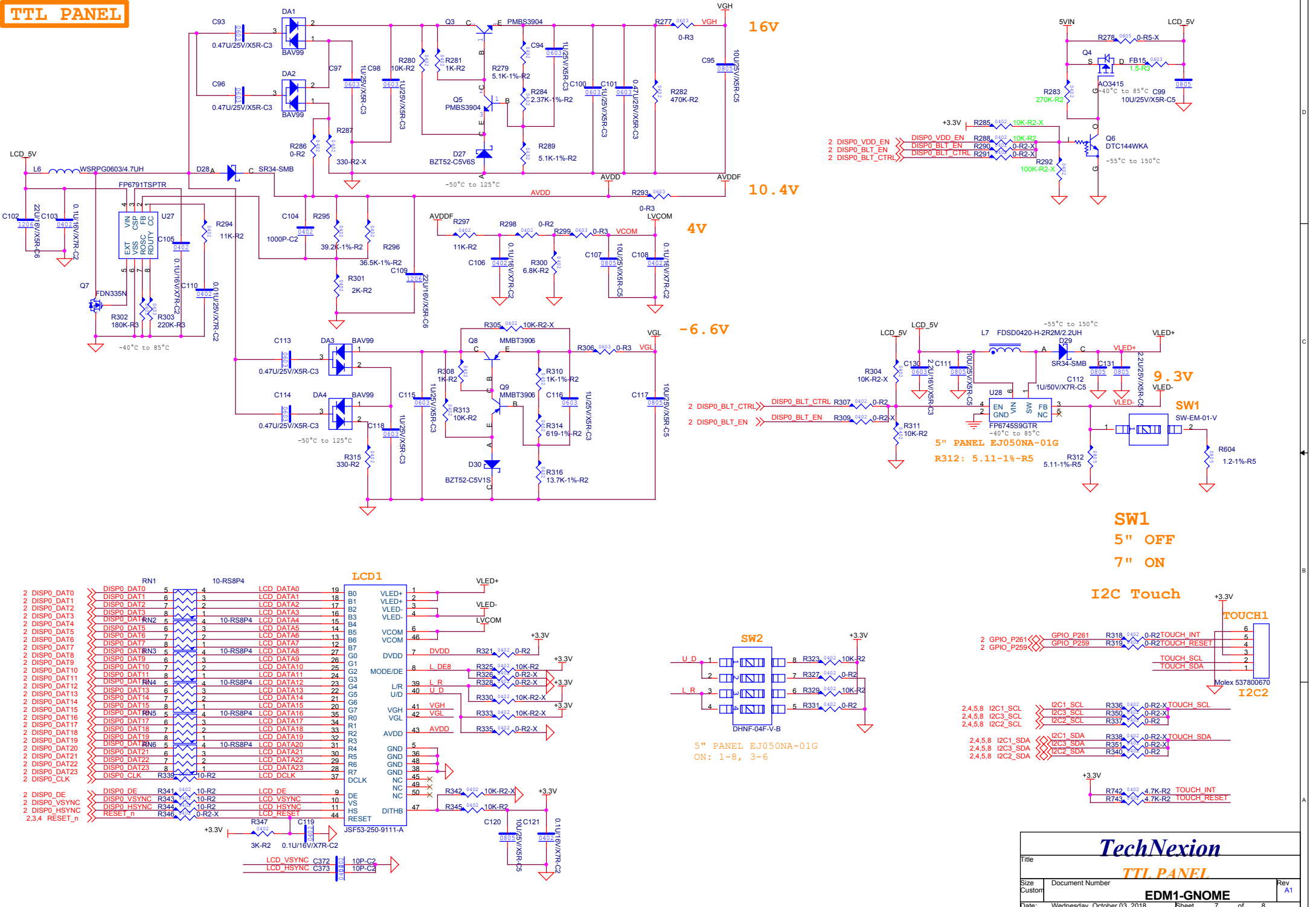
HOST USB



Micro-SD



TTL PANEL



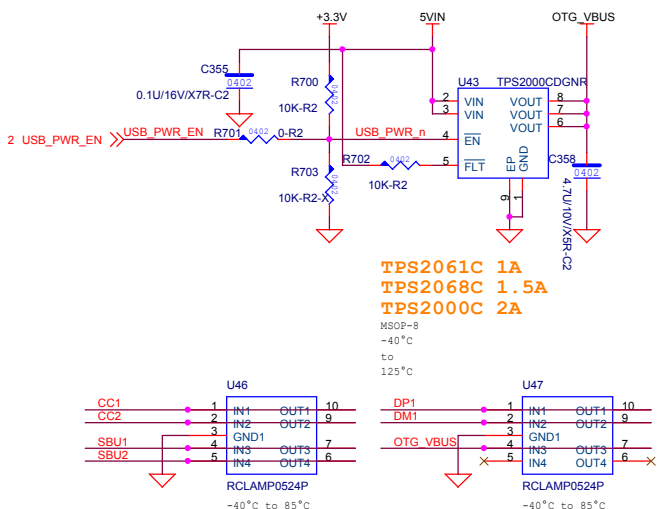
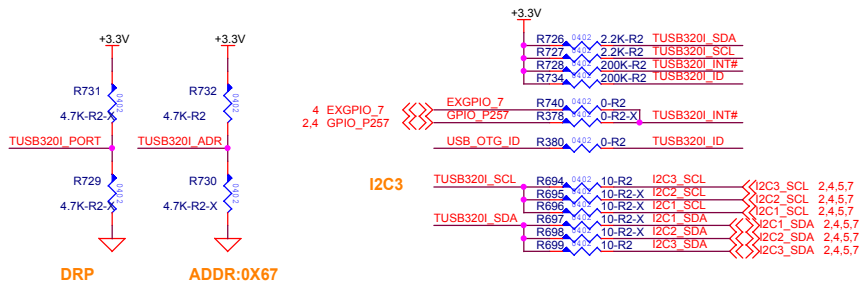
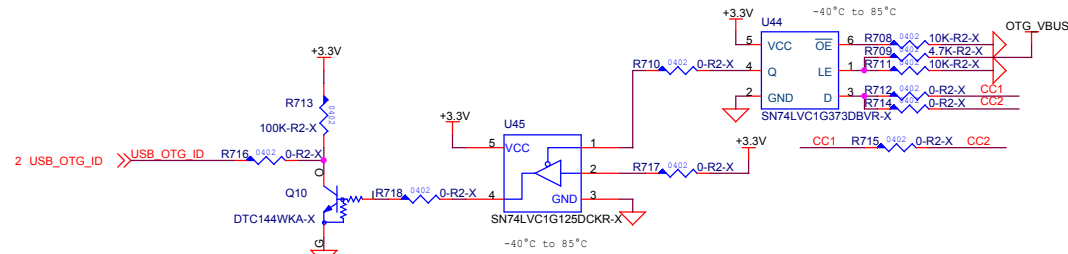
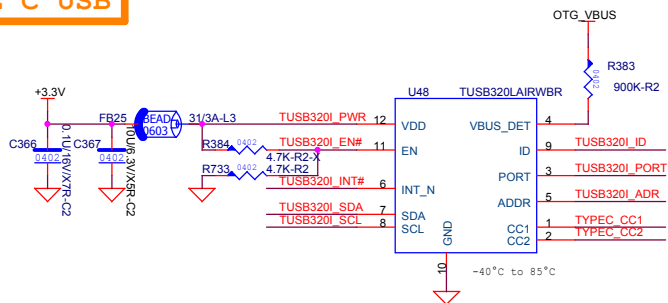
RN1		10-RS8P4		LCD1	
2	DISP0_DAT0	DISP0_DAT0	5	4	LCD_DATA0
2	DISP0_DAT1	DISP0_DAT1	6	3	LCD_DATA1
2	DISP0_DAT2	DISP0_DAT2	7	2	LCD_DATA2
2	DISP0_DAT3	DISP0_DAT3	8	1	LCD_DATA3
2	DISP0_DAT4	DISP0_DAT4	9	10-RS8P4	LCD_DATA4
2	DISP0_DAT5	DISP0_DAT5	6	3	LCD_DATA5
2	DISP0_DAT6	DISP0_DAT6	7	2	LCD_DATA6
2	DISP0_DAT7	DISP0_DAT7	8	1	LCD_DATA7
2	DISP0_DAT8	DISP0_DAT8	9	10-RS8P4	LCD_DATA8
2	DISP0_DAT9	DISP0_DAT9	6	3	LCD_DATA9
2	DISP0_DAT10	DISP0_DAT10	7	2	LCD_DATA10
2	DISP0_DAT11	DISP0_DAT11	8	1	LCD_DATA11
2	DISP0_DAT12	DISP0_DAT12	9	10-RS8P4	LCD_DATA12
2	DISP0_DAT13	DISP0_DAT13	6	3	LCD_DATA13
2	DISP0_DAT14	DISP0_DAT14	7	2	LCD_DATA14
2	DISP0_DAT15	DISP0_DAT15	8	1	LCD_DATA15
2	DISP0_DAT16	DISP0_DAT16	9	10-RS8P4	LCD_DATA16
2	DISP0_DAT17	DISP0_DAT17	6	3	LCD_DATA17
2	DISP0_DAT18	DISP0_DAT18	7	2	LCD_DATA18
2	DISP0_DAT19	DISP0_DAT19	8	1	LCD_DATA19
2	DISP0_DAT20	DISP0_DAT20	9	10-RS8P4	LCD_DATA20
2	DISP0_DAT21	DISP0_DAT21	6	3	LCD_DATA21
2	DISP0_DAT22	DISP0_DAT22	7	2	LCD_DATA22
2	DISP0_DAT23	DISP0_DAT23	8	1	LCD_DATA23
2	DISP0_CLK	DISP0_CLK	R335	10-R2	LCD_DCLK
2	DISP0_DE	DISP0_DE	R341	0-R2	LCD_DE
2	DISP0_VSYNC	DISP0_VSYNC	R343	10-R2	LCD_VSYNC
2	DISP0_HSYNC	DISP0_HSYNC	R344	10-R2	LCD_HSYNC
2,3,4	RESET_n	RESET_n	R346	0-R2-X	LCD_RESET

TechNexion

TTL PANEL

Title	Document Number		Rev
Size	EDM1-GNOME		A1
Customer			
Date:	Wednesday, October 03, 2018	Sheet	7 of 8

TYPE C USB



TPS2061C 1A
TPS2068C 1.5A
TPS2000C 2A
 MSOP-8
 -40°C
 to
 125°C

