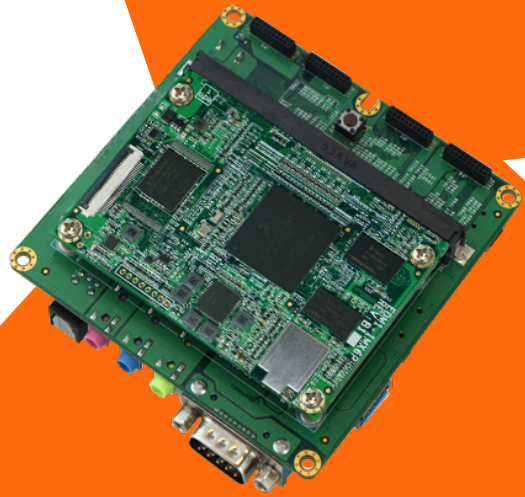




NXP i.MX6 Cortex-A9

low cost open source community development board

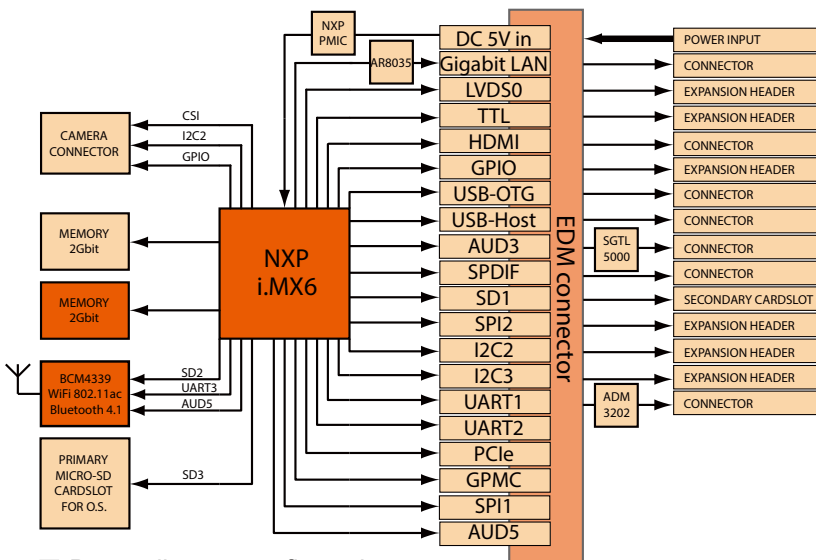


Specifications

	Wandboard Solo	Wandboard Dual	Wandboard Quad
Processor	NXP i.MX6 Solo	NXP i.MX6 DualLite	NXP i.MX6 Quad
Architecture	ARM Cortex-A9	ARM Cortex-A9	ARM Cortex-A9
PMIC	x	NXP MMPF0100	NXP MMPF0100
Memory	512 MB DDR3	1 GB DDR3	2 GB DDR3
Storage	MicroSD Cardslot	MicroSD Cardslot	MicroSD Cardslot
Gigabit LAN	✓	✓	✓
WiFi/Bluetooth	✓	✓	✓
Audio	✓	✓	✓
Optical S/PDIF	✓	✓	✓
HDMI	✓	✓	✓
Camera interface	✓	✓	✓
Serial port	✓	✓	✓
Expansion header	✓	✓	✓
USB	✓	✓	✓
USB OTG	✓	✓	✓
SATA connector	x	x	✓

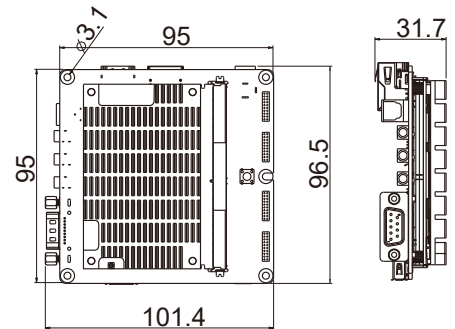
Complete Schematics, Source Code and Documentation can be found on: www.wandboard.org

Block Diagram



■ Depending on configuration

Dimensional Drawing



Order Information

Model Name	Description
WB-IMX6S-9377	Wandboard i.MX6 Solo
WB-IMX6DL-9377	Wandboard i.MX6 DualLite
WB-IMX6Q-9377	Wandboard i.MX6 Quad
WBENCLOSURE	Wandboard enclosure
WBANTENNAKIT	Wandboard antenna kit
CAM-OV5645	Camera module