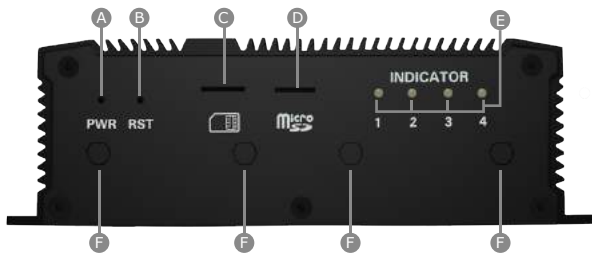
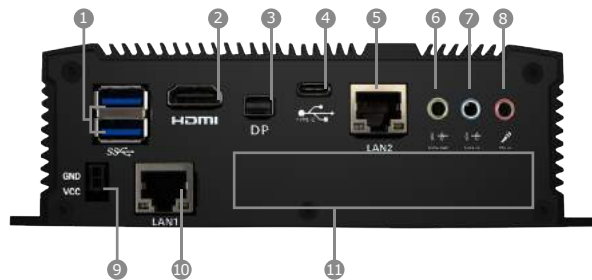


TEK3-BSW



- A. Power button
- B. Reset button
- C. Micro-SIM cardslot
- D. microSD cardslot
- E. 4x LED
- F. Antenna hole



- 1. USB 3.0
- 2. HDMI
- 3. miniDP
- 4. USB 3.0 OTG (Type-C)
- 5. LAN2
- 6. Line out
- 7. Line in
- 8. Mic in
- 9. Power
- 10. LAN1
- 11. Expansion I/O

Main Features

- Designed with robust features to enable operation and convenient maintenance in diverse environments.
- TEK3-BSW is a versatile, fanless box PC based on a quad core Intel Atom x5-E8000 or Intel Pentium N3710 processor.
- Internal M.2 slots for storage and connectivity expansion modules.
- Compatible with TechNexion expansion boards series for additional I/O's.
- It can be either mounted on the surface or mounted into your existing rack infrastructure using the DIN Rail mount.



Specifications

Core System

Processor	Atom x5-E8000 (4x 1.04GHz) Pentium N3710 (4x 1.60GHz)
Architecture	x86 (Braswell)
BIOS	UEFI AMI BIOS
Memory	up to 8GB SO-DIMM DDR3L
Storage	eMMC (32GB Default) M.2 SSD (optional)

Connectivity

Network LAN	2x Intel i211 Gigabit LAN
Power over Ethernet	PoE function 802.3at (optional)
Wi-Fi/Bluetooth	Qualcomm QCA9377 (optional) 802.11 a/b/g/n/ac + BT 5 (BR+EDR+BLE)

Expansion Interfaces

Expansion Slots	2x M.2 slot
-----------------	-------------

External Connectors

External Display	1x HDMI 1x miniDP
Audio Connectors	1x 3.5mm jack Microphone 1x 3.5mm jack Stereo Audio in 1x 3.5mm jack Stereo Audio out
Network	2x RJ45
USB	1x USB 3.0 Host 1x USB 3.0 OTG (Type-C)

Buttons	1x Power 1x Reset
Indicators	4x Programmable LED's
SIM Cardslot	1x Micro-SIM cardslot
SD Cardslot	1x microSD cardslot

Video

Video Decode	1080p240 H.264
Video Encode	1080p120 H.264

Audio

Audio Codec	Realtek ALC662
-------------	----------------

Sensors

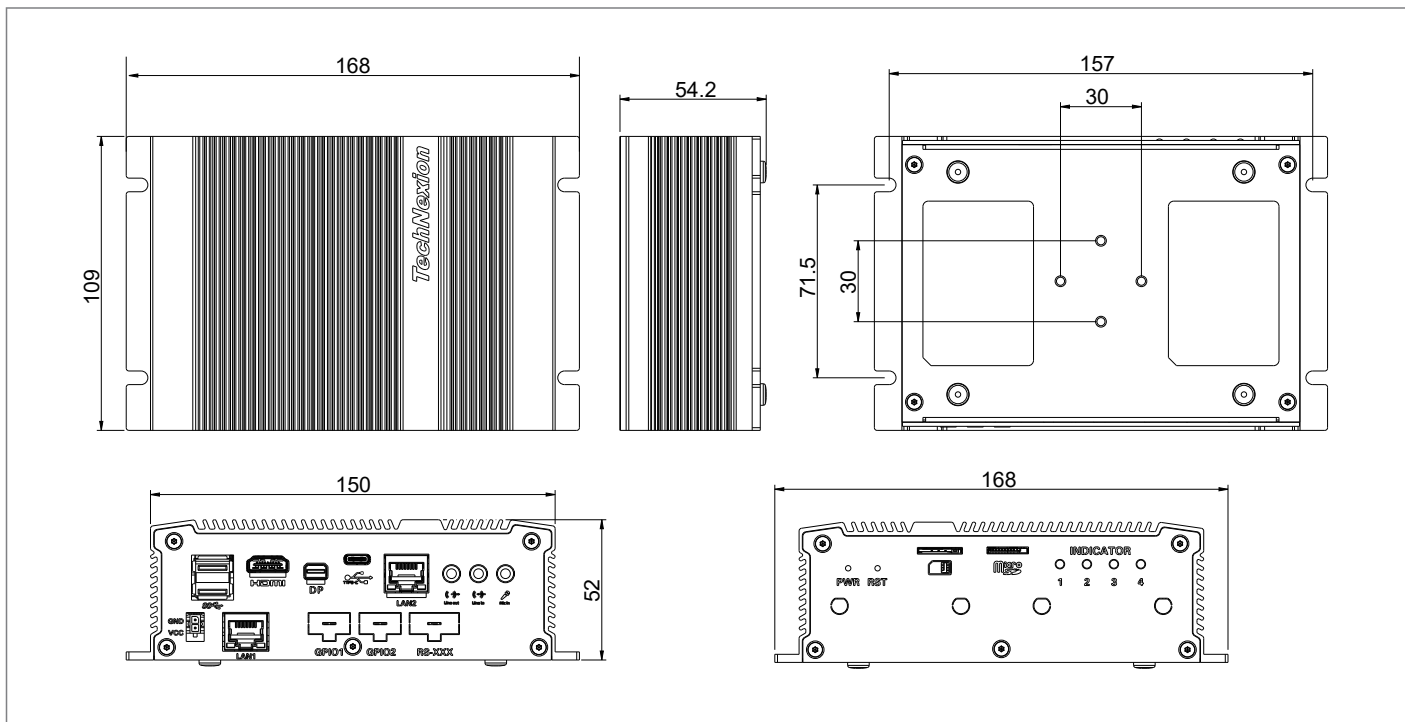
RTC	Integrated in SoC with backup Battery
-----	--

Power Specifications

Power Input	Available with 12V 8-36V (wide power input)
Power over Ethernet	PoE function 802.3at (optional)
Power Connector	2-pin Micro-Fit 3.0
Power Consumption	Depending on Configuration

Dimensions

(units in mm)



Operation Systems

- Standard Support
 - Ubuntu
 - Windows 7
 - Windows 10

Environmental and Mechanical

- Enclosure Material: Anodized Aluminium
- Dimensions: 168 (W) x 109 (H) x 55 (D) mm
- Weight: 700 grams
- Temperature: Commercial: 0° to +50° C
- Relative Humidity: 10 to 90 %
- MTBF: 50 000 Hours
- Shock: 30G half-sine 11 ms duration
- Vibration: 3 Grms random 5-500Hz hr/axis
- Certification: Compliant with CE / FCC / RoHS / REACH directives

Modular Expansion Options

- Power Expansion Module
 - TXB-P1-12V-LAN1 (12V 3A)
 - TXB-P1-1030V-LAN1 (8-36V 5A)
 - TXB-P1-12V-POE1 (12V 3A) or (PoE 802.3at)
- I/O Expansion Module
 - TXB-I2-GS2-GG8 (Galvanic Isolated)
 - 2x RS-232 + 8x GPIO
 - TXB-I2-S2-G8
 - 2x RS-232 + 8x GPIO

Mounting Options

- Surface Mounting: 4 mounting holes
- DIN Mounting: 30mm DIN Rail Standard (DIN bracket separate purchase)

Ordering Information

TEK3-XXXXX-Rxx-Lxxx-xxx-xxxx-xxxx-xxxx-xxxx

	Code	Description
Processor	E8000	Intel Atom x5-E8000
	N3710	Intel Pentium N3710
Memory	R20	2GB SO-DIMM DDR3L
	R40	4GB SO-DIMM DDR3L
	R80	8GB SO-DIMM DDR3L
Power Expansion	L112	TXB-P1-12V-LAN1 (12V 3A)
	L130	TXB-P1-1030V-LAN1 (8-36V 5A)
	LPOE	TXB-P1-12V-POE1 (12V 3A) or (PoE 802.3at)
Storage eMMC	-	-
	E32	eMMC 32GB (default)
	E64	eMMC 64GB
Storage M.2 SSD	-	-
	M064	M.2 SSD 64GB
	M128	M.2 SSD 128GB
I/O Expansion	-	-
	XS21	2x RS-232 + 8x GPIO
	XG21	2x RS-232 + 8x GPIO (Galvanic Isolated)
Wi-Fi / Bluetooth	-	-
	9377	Qualcomm QCA9377 802.11a/b/g/n/ac (2.4 + 5GHz) + Bluetooth 5
Custom ID	XXXX	Custom Part number ID for customized Software loader and special component (BOM)

* Feel free to contact us for customization requests.



TXB-I2-GS2-GG8

- 1X GALVANIC ISOLATED SERIAL PORT RS232/422/485
- 1X GALVANIC ISOLATED SERIAL PORT RS232
- 4X GALVANIC ISOLATED GPIO INPUT
- 4X GALVANIC ISOLATED GPIO OUTPUT



TXB-I2-S2-G8

- 2X SERIAL PORTS RS232
- 8X GPIO



TXB-P1-12V-LAN1

- 12V DC POWER INPUT
- 1X RJ45 LAN CONNECTOR



TXB-P1-24V-LAN1

- 24V DC POWER INPUT
- 1X RJ45 LAN CONNECTOR



TXB-P1-1030V-LAN1

- 8-36V DC WIDE POWER INPUT
- 1X RJ45 LAN CONNECTOR



TXB-P1-12V-POE1

- POWER OVER ETHERNET (802.3at)
- 12V DC POWER INPUT
- 1X RJ45 CONNECTOR