

# EDM-WIZARD-IMX8M



## Main Features

- TechNexion EDM-WIZARD-IMX8M platform can be applied in a wide range of applications ranging from simple IoT devices to applications with high level of complexity.
- Featuring NXP i.MX8M Quad processor that runs up to 1.3GHz per core, based on the ARM Cortex A-53 + M4 architecture, delivered in advanced low-power process.
- Featuring video quality with full 4K UltraHD resolution and HDR.
- Software source code at your fingertips: Android, Linux and Yocto.



yocto  
PROJECT



## Specifications

### Core System

Processor	NXP i.MX8M Quad
Processor Speed	1.3GHz
Architecture	ARM Cortex-A53 + M4
PMIC	ROHM BD71837
Memory	up to 4GB LPDDR4
Storage	16GB eMMC (default)
Board-to-Board Connector	EDM connector (314-pin MXM3)
System on Module	EDM SOM
Debug Interface	UART Interface by Through-hole

### Connectivity

Network LAN	1x Atheros AR8035 Gigabit LAN
Wi-Fi/Bluetooth	Qualcomm QCA9377 (optional) 802.11 a/b/g/n/ac + BT 5 (BR+EDR+BLE)
Antenna	MHF4 connector

### Expansion Interfaces

Expansion Slots	1x M.2 slot 1x mini-PCIe
-----------------	-----------------------------

### Internal Headers

Internal Display	MIPI DSI signals on 70-pin Hirose connector
Expansion Headers	GPIO I <sup>2</sup> C I <sup>2</sup> S PWM SPI UART

### External Connectors

External Display	1x HDMI
Audio Connectors	1x 3.5mm jack Stereo Audio out
Network	1x RJ45
USB	1x USB 2.0 OTG (Type-C) 2x USB 3.0 Host
Buttons	1x Reset
SIM Cardslot	2x Micro-SIM cardslot

### Video

Graphic Engine	Vivante GC7000Lite
Video Decode	4K UltraHD HDR 4Kp60 H.265 VP9
Video Encode	1080p120 H.264
Camera	MIPI CSI (4 lanes)

### Audio

Audio Codec	Cirrus Logic WM8960
Audio Interface	I <sup>2</sup> S (2 channel)

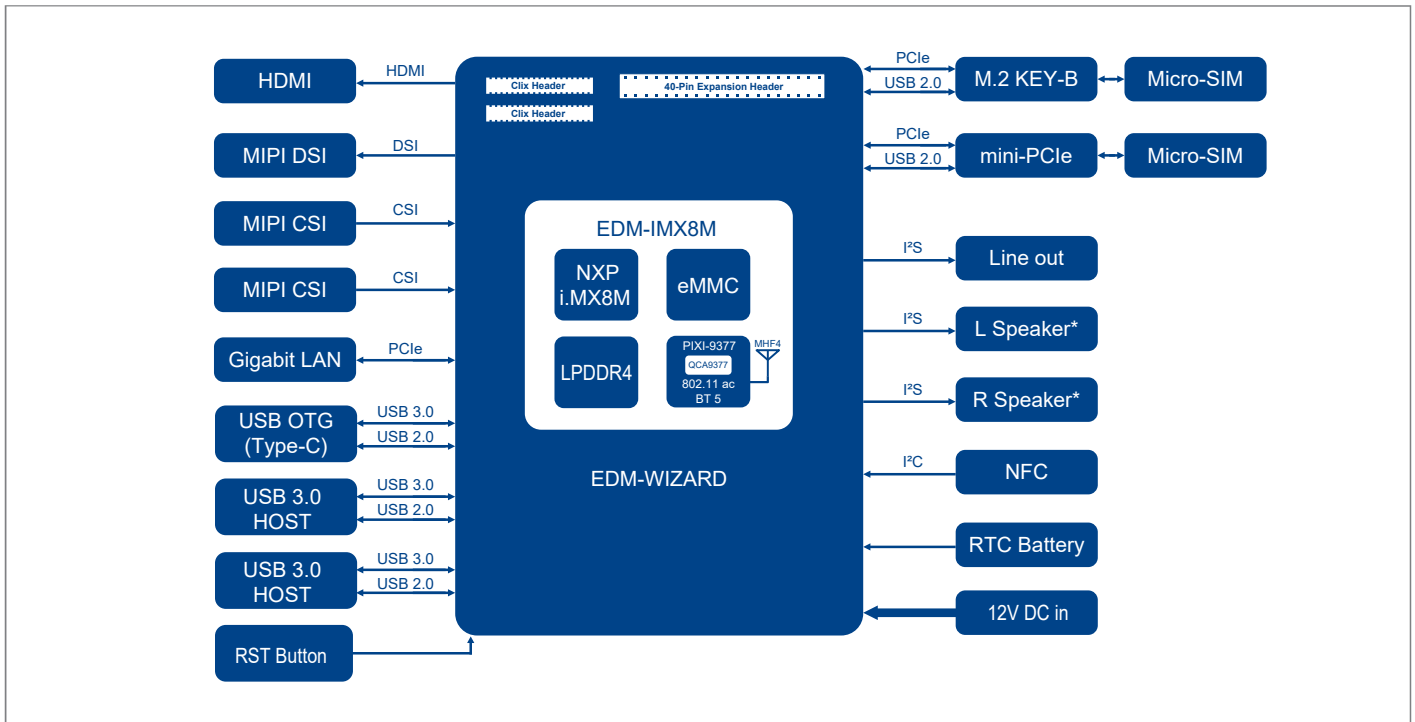
### Power Specifications

Power Input	12V DC +/-5%
Power Connector	2-pin Micro-Fit 3.0
Power Consumption	Depending on Configuration

### Operation Systems

Standard Support	Linux Yocto Android
------------------	---------------------------

### Block Diagram



### Environmental and Mechanical

Dimensions	170 (W) x 170 (H) x 26.8 (D) mm
Weight	240 grams
Operation Temperature	Commercial: 0° to +50° C
Relative Humidity	10 to 90 %
MTBF	50 000 Hours
Shock	15G half-sine 11 ms duration
Vibration	1 Grms random 5-500Hz hr/axis

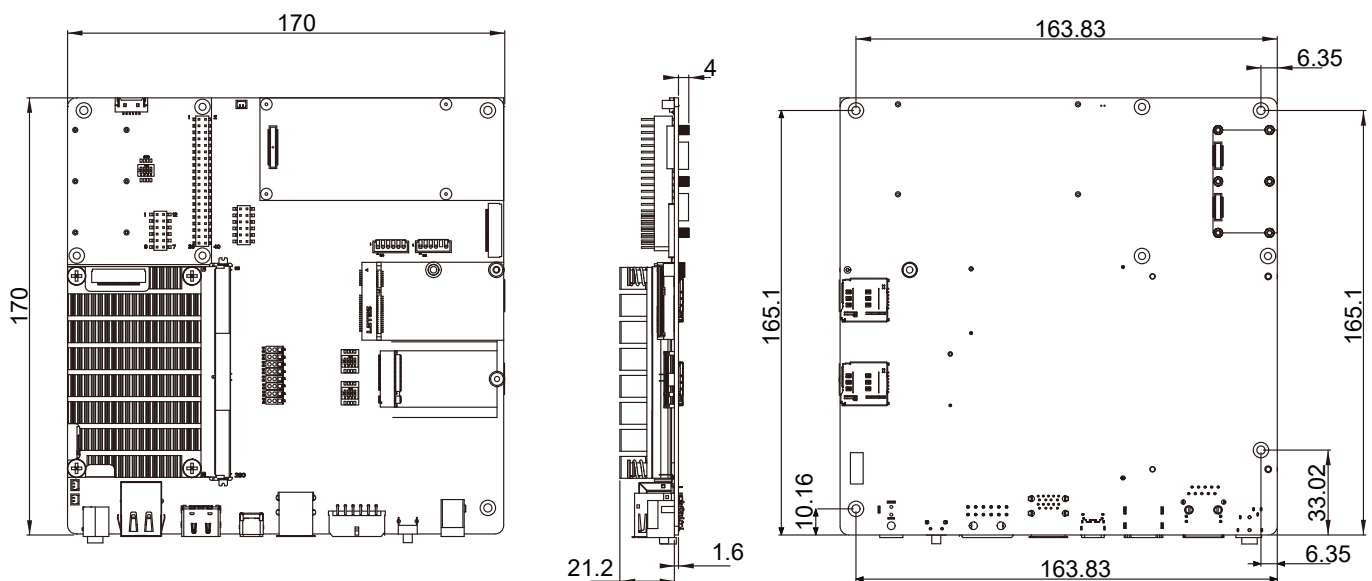
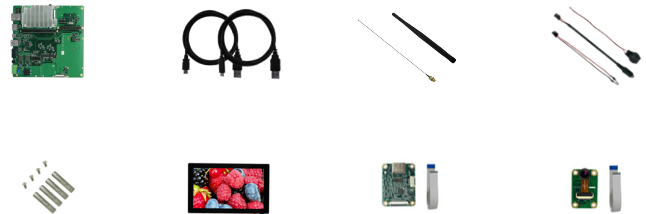
### Ordering Information

#### EDM-WIZARD-IMX8M

NXP i.MX8M Quad Development Board with up to 4GB LPDDR4, 16GB eMMC and Wi-Fi + BT wireless connectivity including MHF4 antenna, USB Type-C and UART debug cables, RTC battery, 2-pin Micro-Fit 3.0 DC power latch cable, stands and optional 5"/8"/10.1" PCAP Multi Touch LCD display, 5MP camera module, HDMI expander card or HDMI capture card.

### Certification and Compliance

Certification	Compliant with CE / FCC / RoHS / REACH directives
---------------	---



2020-03-12 All specifications are subject to change without notice.