

SynQor RoHS Product Information

RoHS COMPLIANCE

The EU led RoHS (Restriction of Hazardous Substances) Directive bans the use of Lead, Cadmium, Hexavalent Chromium, Mercury, Polybrominated Biphenyls (PBB), and Polybrominated Diphenyl Ether (PBDE) in Electrical and Electronic Equipment. SynQor products that have the “-G” suffix are fully 6/6 RoHS compliant while those without the suffix are 5/6 RoHS compliant and may contain lead. For more information visit our RoHS Compliance / Lead Free Initiative web page or e-mail us at rohs@synqor.com.

QUALIFIED LEAD-FREE MATERIALS

SynQor has fully qualified the following materials that are used in SynQor’s lead-free, RoHS compliant product:

- PWB Finish: ENIG
- Solder & Solder Paste: No Clean SAC 305 Lead-Free Alloy, exceeds Telcordia GR78-CORE requirements for SIR and electromigration.
- Pins: Solder finish is Matte Tin over Ni under-plating*
*(mitigates tinwhisker growth).

MANUFACTURING WITH RoHS PRODUCT

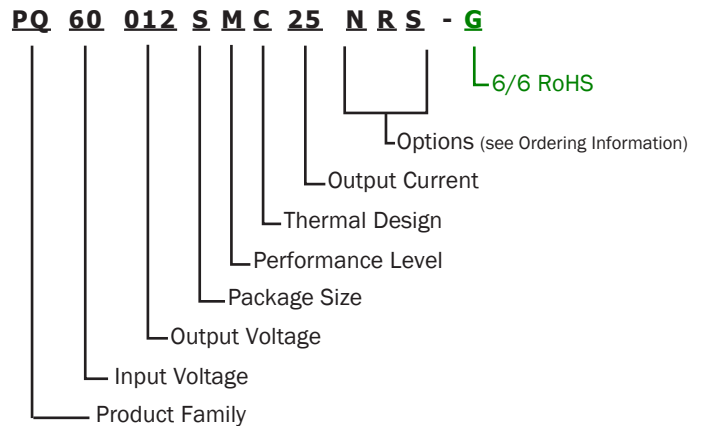
Both 5/6 and 6/6 RoHS compliant SynQor parts can be used in lead-free wave solder and selective solder processes at solder temperatures not exceeding 265° C for 10 seconds.

Both 5/6 and 6/6 RoHS compliant SMT SynQor products are compatible with lead-free reflow processing, not to exceed 240° C for 10 seconds per IPC and NEMI guidelines. RoHS compliant through-hole products are compatible with the lead-free reflow process of 240° C for 10 seconds.

Encased and Base-plated products may not be reflowed under any circumstance, regardless of their RoHS compliance status. Refer to the Aqueous Cleaning and Soldering Considerations product advisory for further details.

PART NUMBERING SYSTEM:

The part numbering system for SynQor’s brick format products follow the format shown in the example below.



The first characters comprise the base part number plus available options. The “-G” suffix indicates 6/6 RoHS compliance.

OTHER 6/6 ROHS COMPLIANT PRODUCTS:

The following SynQor product families are fully 6/6 RoHS compliant; however they do not contain the “-G” suffix in their part number:

- ACuQor [all part numbers beginning with “AQ”]
- SYN-xxxx [all part numbers beginning with “SYN”]
- xBI-xx [all interface adapters]

Contact SynQor for further information and to order:

Phone: 978-849-0600 Fax: 978-849-0602
 E-mail: power@synqor.com Web: www.synqor.com
 Address: 155 Swanson Road, Boxborough, MA 01719 USA

WARRANTY

SynQor offers a limited warranty. Complete warranty information is listed on our website or is available upon request from SynQor.

PATENTS

SynQor holds numerous U.S. patents, one or more of which apply to most of its power conversion products. Any that apply to the product(s) listed in this document are identified by markings on the product(s) or on internal components of the product(s) in accordance with U.S. patent laws. SynQor’s patents include the following:

7,765,687 7,787,261
 8,149,597 8,644,027