

4" Square Slim Recessed LED Soft White 11W

Type IC, Wet & Air-Tight



Project: _____

Location: _____

Trim Finish: _____ Qty: _____

Notes: _____

DESCRIPTION

Recessed 4" Square LED With Integral Driver In Connection Box.

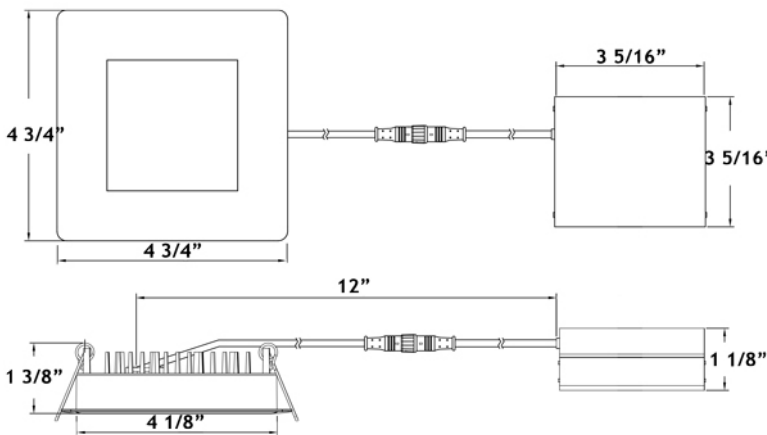
FEATURES & BENEFITS

- 1 3/8" Thin - Fits Where No Other Recessed Fixture Can.
- Type IC Rated - No Housing Required
- Fast & Easy To Install - Save On Labour
- Driver Inside Connection Box - No Junction Box Needed

MOUNTING

Cut Hole In Ceiling And Snap Fixture In Opening With Attached Spring Clips.
2" Above Ceiling Clearance Required For Driver.

DIMENSIONS ID 4 3/4" OD 4 1/8" Cut Out 4 1/8" to 4 1/2"



SPECIFICATION	
Applications	Recessed Ceiling Mount
Energy Used	11 W
Colour Temperature	3000 K
Light Output	700 lm
Halogen Equivalent	65 W
Beam Angle	90°
CRI	80 +
Driver Input	120V AC or 277V-347V AC
Power Factor	0.98
Dimming	TRIAC Dimmers 10% - 100% (120V only)
Approved Location	Insulated Ceiling & Wet Locations
Air Tight	Yes
Ambient Temperature	-40°F (-40°C) to +104°F (+40°C)
Projected Life	70% Light Output at 50,000 Hours
Certification	cULus, Energy Star
Warranty	10 Year on Residential 5 Year on Commercial Applications

Driver Included

Cable Rating FT4 / CM



Trim Options



White



Black



Brushed Nickel

COMPLIANCE



CHARACTERISTICS

Body: Durable, Die Cast Aluminum Alloy for Optimal Heat Dissipation.
Paint: Oil Based Spray Painted - Scratch Resistant And Smooth Finish.
LEDs: 54 Pieces Of Custom Packaged LM80 Epistar 2835.
Guaranteed 98% Lumen Maintenance After 6,000 Hours.
Strict Binning To Ensure Consistent Light Colour.
Driver: 4th Generation Lotus Designed. Field Proven Since 2011.
Connection Box: Patented Invention By Lotus LED Lights.
Saves Contractors Labour On Installation.
Testing: Every Single Driver Is Powered For Minimum 24 Hours Together With The Fixture That It Is Shipped With.
Every LED Is Visually Checked Before And After The PCB Is Mounted On The Fixture.
No Random Tests - We Hand Test Every Fixture & Driver.

Lighting facts
A Program of the U.S. DOE

Light Output (Lumens)	750
Watts	11.6
Lumens per Watt (Efficacy)	64.66
Color Accuracy Color Rendering Index (CRI)	80
Light Color Correlated Color Temperature (CCT)	3000 (Bright White)

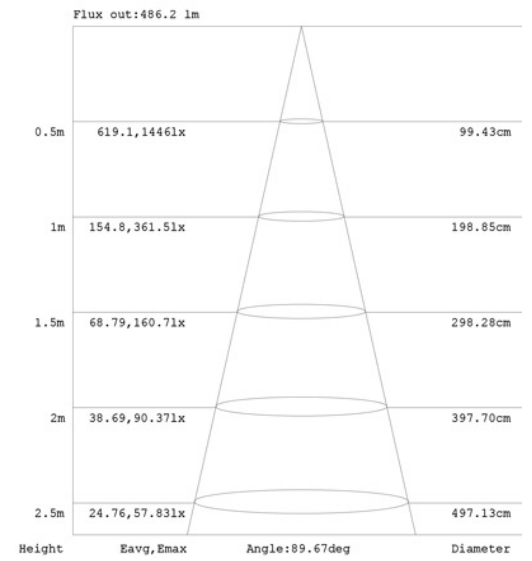
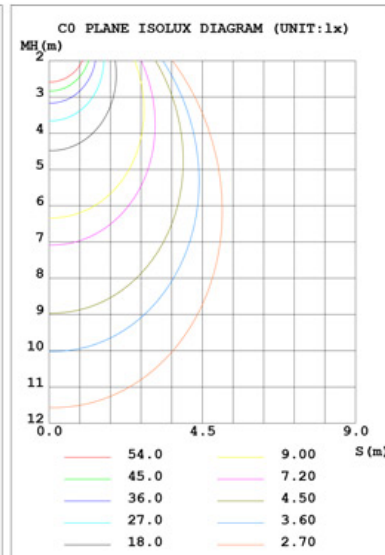
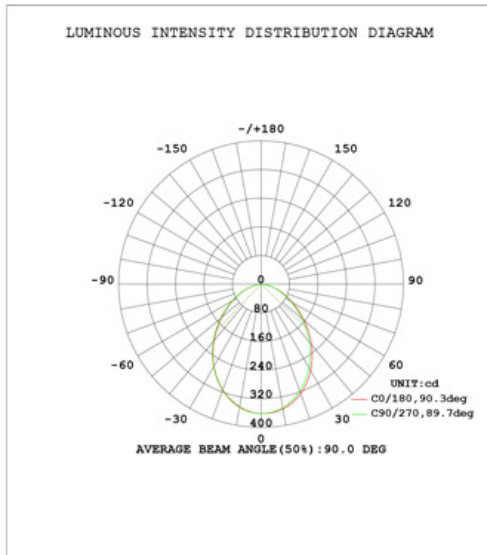
Color scale: Warm White (2700K), Bright White (3000K), Daylight (4500K-6500K)

Visit www.lightingfacts.com for the Label Reference Guide.

PHOTOMETRIC DATA

Test: U:120.1V I:0.0974A P:11.54W PF:0.9862 Lamp Flux:774.67lx1 lm **EFF: 67.14 lm/W**

MODEL	LY4S 30K	Imax (cd)	361.6	S/MH (C0/180)	1.11
NOMINAL POWER (W)	0	LOR (%)	100.0	S/MH (C90/270)	1.12
RATED VOLTAGE (V)	120	TOTAL FLUX (lm)	774.67	η UP, DN (C0-180)	0.0, 50.5
NOMINAL FLUX (lm)	774.671	CIE CLASS	DIRECT	η UP, DN (C180-360)	0.0, 49.5
LAMPS INSIDE	1	η up (%)	0.0	CIBSE SHR NOM	1.25
TEST VOLTAGE (V)	120	η down (%)	100.0	CIBSE SHR MAX	1.25



ORDERING GUIDE

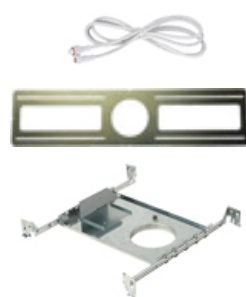
Example: LY4S / 30K / WH

LY4S / 30K / Trim Finish
 WH : White
 BK : Black
 BN : Brushed Nickel

Order 277V - 347V Optional Driver Separately As cat # LLL-LD1535H



ACCESSORIES



Low Volage Extension Cables
 6ft - cat # EXC6, 20ft - cat # EXC20
 Max 40 ft Allowed. FT4 / CM rated

Rough-In Plates - cat # RIP4

Flanged Rough-In Plate - cat # LRP4



Warehouses

Vancouver Toronto Las Vegas Naples Philadelphia Dallas Seattle Chicago Denver

tel: 1-844-24-LOTUS (56887) fax: 1-877-561-6306 www.lotusLEDlights.com