

### Type IC, Wet & Air-Tight



#### DESCRIPTION

1" Regressed 4" Gimbal Round LED With Integral Driver In Connection Box.  
Fits Where No Other Recessed Fixture Can.

**Unique Design: Gimbal Yet Air-Tight Without Housing Needed.**

#### FEATURES & BENEFITS

**3" Thin** - Install Where Ceiling Space Is Limited.

**Type IC Rated** - No Housing Required

**Fast & Easy To Install** - Save On Labour

**Driver Inside Connection Box** - No Junction Box Needed

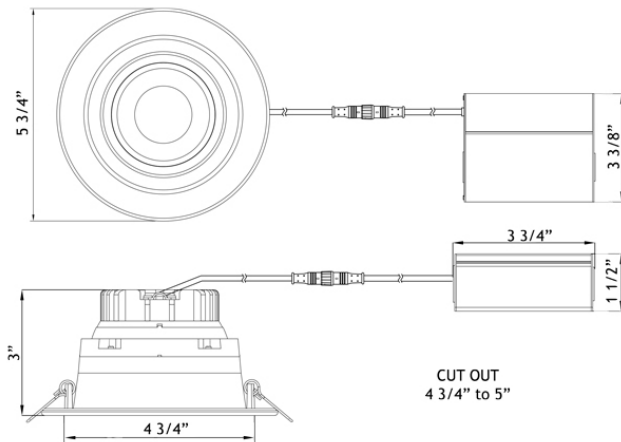
**Directional Beam** - Great for Sloped Ceilings and Highlighting Artwork

**CRI 92** - True Colour Rendering

#### MOUNTING

Cut Hole In Ceiling And Snap Fixture In Opening With Attached Spring Clips.

Ceiling Clearance Required: 3"



Project: \_\_\_\_\_

Location: \_\_\_\_\_

Trim Finish: \_\_\_\_\_ Qty: \_\_\_\_\_

Notes: \_\_\_\_\_

SPECIFICATION	
Applications	Sloped Ceilings, Highlighting Artwork
Energy Used	11.4 W
Colour Temperature	4000 K
Light Output	1050 lm
Halogen Equivalent	90 W
Beam Angle	38° Beam with 20° tilt and 360° rotation
CRI	> 90
Driver Input	120V AC or 277V-347V AC 50/60 Hz
Power Factor	0.98
Dimming	TRIAC Dimmers 5% - 100%
Approved Location	Insulated Ceiling, Damp & Wet Locations
IP Rating	IP 54
Air Tight	Yes
Ambient Temperature	-40° F (-40° C) to +104° F (+40° C)
Projected Life	70% Light Output at 50,000 Hours
Certification	cULus, Energy Star, T24
<b>Warranty</b>	<b>10 Year on Residential</b> <b>5 Year on Commercial Applications</b>

#### Driver Included



#### Available Trims



White



Black

#### COMPLIANCE



**CHARACTERISTICS**

- Unique Design:** 1" Regressed 4" Gimbal with 20° tilt and 360° rotation, Yet Air-Tight Without Housing Needed. Patent Pending.
- Body:** Durable, Die Cast Aluminum Alloy for Optimal Heat Dissipation.
- Paint:** Oil Based Spray Painted - Scratch Resistant And Smooth Finish.
- LED:** Epistar COB Custom Packaged by Hongli Tronic with LM80.
- Guaranteed 98% Lumen Maintenance After 6,000 Hours.
- Strict Binning To Ensure Consistent Light Colour. CRI 92 for True Colour Rendering.
- Driver:** 4th Generation Lotus Designed. Field Proven Since 2011.
- Connection Box:** Patented Invention By Lotus LED Lights.
- Saves Contractors Labour On Installation.
- Testing:** Every Single Driver Is Powered For Minimum 24 Hours Together With The Fixture That It Is Shipped With. No Random Tests - We Hand Test Every Fixture & Driver.

**LED lighting facts**  
A Program of the U.S. DOE

**Light Output (Lumens)** 1050  
**Watts** 11.5  
**Lumens per Watt (Efficacy)** 91.3

**Color Accuracy**  
Color Rendering Index (CRI) 90

**Light Color**  
Correlated Color Temperature (CCT) 4000 (Bright White)

2700K 3000K 4500K 6500K

Warm White Bright White Daylight

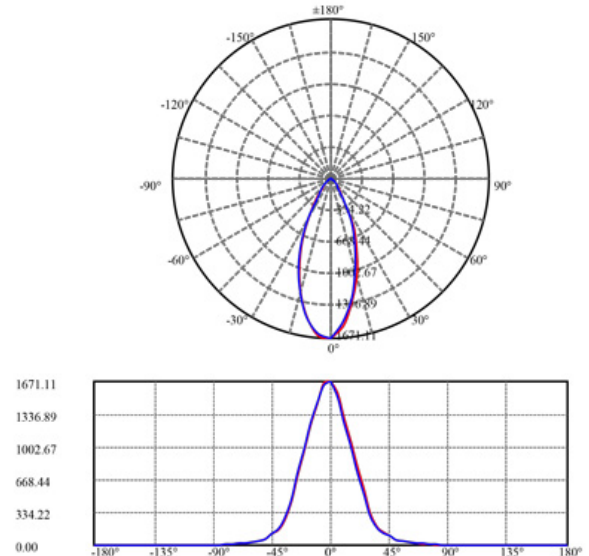
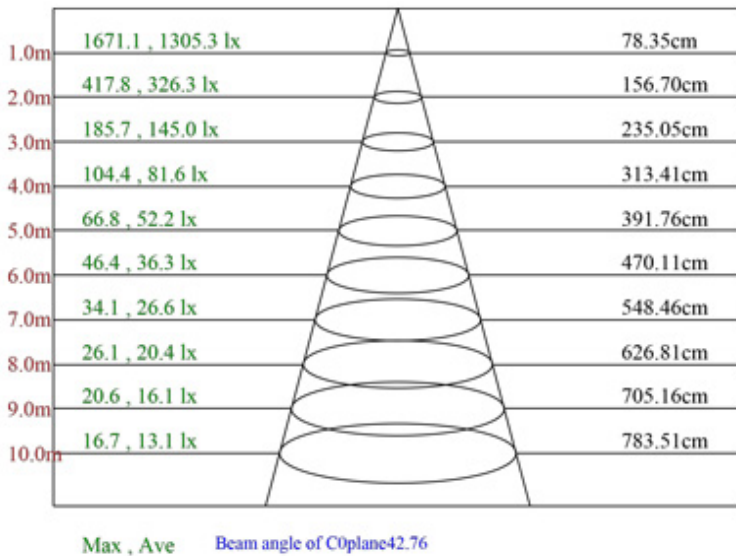
All results are according to IESNA LM-79-2008: Approved Method for the Electrical and Photometric Testing of Solid-State Lighting. The U.S. Department of Energy (DOE) verifies product test data and results.

Visit [www.lightingfacts.com](http://www.lightingfacts.com) for the Label Reference Guide.

Registration Number: K53C-HSU1WJ (10/26/2017)  
Model Number: LRG4-40K  
Type: Luminaire - Downlight

**PHOTOMETRIC DATA OF A LAB TESTED SAMPLE**

MODEL:	LRG4-40K	LAMP FLUX:	1054 LM
VOLTAGE:	120 V	LUMENS / POWER:	93 LM/W
POWER:	11.3 W	CENTRAL INTENSITY:	1671 CD
PF:	0.98	BEAM ANGLE:	42 DEGREES



**ORDERING GUIDE**

Example: LRG4 - 40K - WH

LRG4 - 40K -  Trim Finish  
WH : White  
BK : Black

Order 277V - 347V Optional Driver Separately As cat # LLL-LD1025H



**ACCESSORIES**

Sold Separately



Low Volage Extension Cables  
6ft - cat # EXC6, 20ft - cat # EXC20  
Max 40 ft Extension Allowed



Flanged Rough-In Plate - cat # LRP5



**Warehouses**  
Vancouver Toronto Las Vegas Naples Philadelphia Dallas Seattle

tel: 1-844-24-LOTUS (56887)

fax: 1-877-561-6306

[www.lotusLEDlights.com](http://www.lotusLEDlights.com)