

Air-Tight & Wet Location



Project: _____

Location: _____

Trim Finish: _____ Qty: _____

Notes: _____

DESCRIPTION

J-Box Mount LED fixtures with integral LEDs and built-in driver.
Twist & Lock Cover.

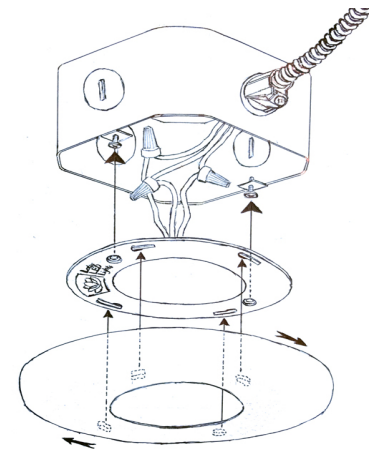
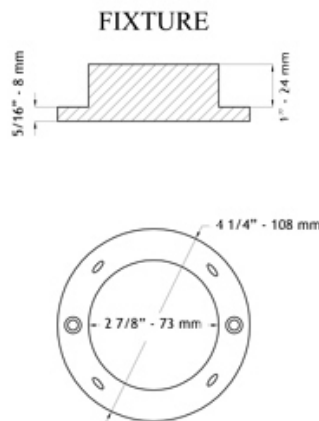
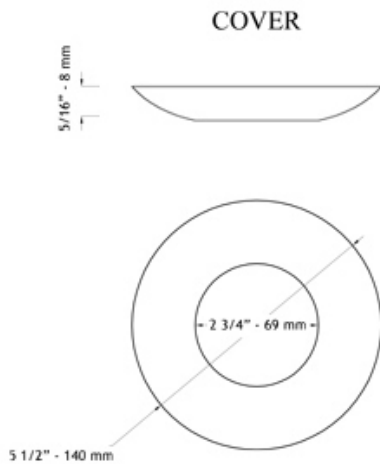
FEATURES & BENEFITS

1" Thin - Fits In 1 1/2" Deep J-Box
CRI 90+ for True Colour Rendering
IP54 Wet Location Rated - Suitable For Showers & Soffits

MOUNTING

Connect The Wires In The Previously Installed Junction Box.
Quick Connectors Included.
Screw The Fixture Into The J-Box.
Push The Face Plate Against The Fixture By Placing The Hooks Into
The Four Openings, Then Turn Clockwise To Tighten And Lock In Place.

SPECIFICATION	
Applications	J-Box Ceiling Mount, Showers
Energy Used	11 W
Colour Temperature	4100 K
Light Output	650 lm
Halogen Equivalent	60 W
Beam Angle	110°
CRI	90 +
Input Voltage	120V AC 50/60 Hz
Power Factor	0.98
Dimming	TRIAC Dimmers 5% - 100%
Approved Location	Wet & Damp Locations
Air Tight	Yes
Ambient Temperature	-40° F (-40° C) to +104° F (+40° C)
Projected Life	70% Light Output at 50,000 Hours
Certification	cULus, Energy Star, T24
Warranty	10 Year on Residential 5 Year on Commercial Applications



Available Trims

White Black Brushed Nickel



COMPLIANCE



Warehouses

Vancouver Toronto Las Vegas Naples Philadelphia Dallas Seattle Chicago Denver

tel: 1-844-24-LOTUS (56887)

fax: 1-877-561-6306

www.lotusLEDlights.com

CHARACTERISTICS

Body: Durable, Die Cast Aluminum Alloy for Optimal Heat Dissipation.

Paint: Oil Based Spray Painted - Scratch Resistant And Smooth Finish.

LEDs: 36 Pieces Of Custom Packaged LM80 Epistar 2835. Guaranteed 98% Lumen Maintenance After 6,000 Hours.

Strict Binning To Ensure Consistent Light Colour. CRI > 90 for True and Vibrant Colour Rendering.

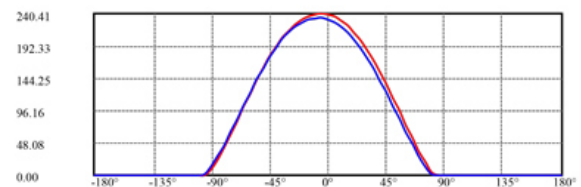
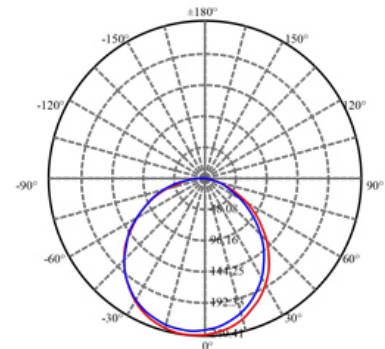
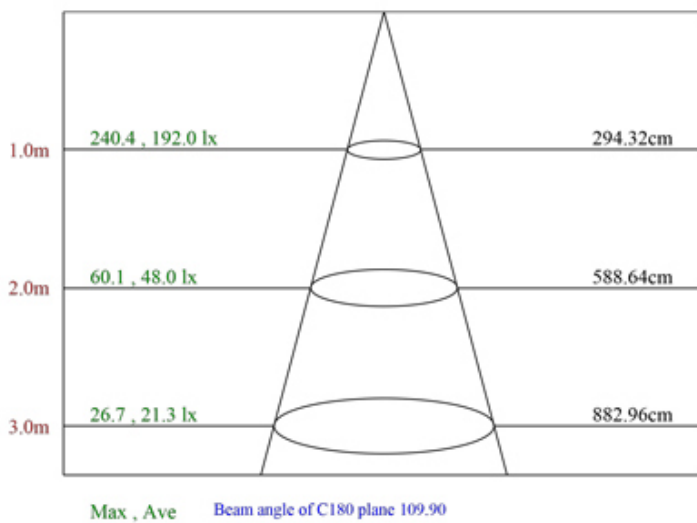
Driver: 5th Generation Lotus Designed.

Testing: Every LED Is Visually Checked Before And After The PCB Is Mounted On The Fixture.

Every Fixture Is Powered For Minimum 24 Hours Before Packaging. No Random Tests - We Examine All Fixtures.

PHOTOMETRIC DATA

MODEL:	LL4RBX-41K	LAMP FLUX:	653 LM
VOLTAGE:	120 V	LUMENS / POWER:	62 LM/W
POWER:	10.56 W	CENTRAL INTENSITY:	239 CD
PF:	0.98	BEAM ANGLE:	112 DEGREES



ORDERING GUIDE

Example: LL4RBX - 41K - WH

- LL4RBX - 41K -
- Trim Finish
 - WH : White
 - BK : Black
 - BN : Brushed Nickel

LOTUS LED Lights

LED lighting facts
A Program of the U.S. DOE

Light Output (Lumens)	650
Watts	11
Lumens per Watt (Efficacy)	59.09

Color Accuracy Color Rendering Index (CRI)	93
--	-----------

Light Color Correlated Color Temperature (CCT)	4000 (Bright White)

All results are according to IESNA LM-79-2008: Approved Method for the Electrical and Photometric Testing of Solid-State Lighting. The U.S. Department of Energy (DOE) verifies product test data and results.

Visit www.lightingfacts.com for the Label Reference Guide.

Registration Number: K33C-EHUEJM (12/27/2016)
Model Number: LL4RBX-41K
Type: Luminaire - Downlight



Warehouses

Vancouver Toronto Las Vegas Naples Philadelphia Dallas Seattle Chicago Denver

tel: 1-844-24-LOTUS (56887)

fax: 1-877-561-6306

www.lotusLEDlights.com