

Type IC & Air-Tight



DESCRIPTION

24V Input Recessed 2" Gimbal Round LED.
Fits Where No Other Recessed Fixture Can.
Unique Design: Gimbal Yet Air-Tight Without Housing Needed.

FEATURES & BENEFITS

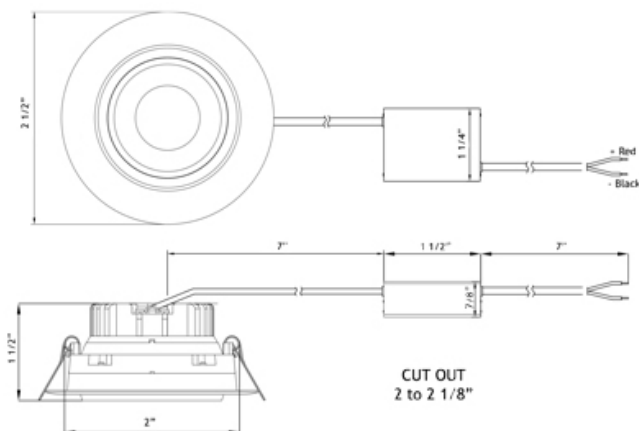
1 1/2" Thin - Install Where Ceiling Space Is Limited.
Type IC Rated - No Housing Required
Fast & Easy To Install - Save On Labour
Directional Beam - Great for Sloped Ceilings and Highlighting Artwork
CRI 90+ for True Colour Rendering
Possibility for low voltage wiring in the ceiling & multiple fixtures connected to one driver. Not Dimmable.

MOUNTING

Cut Hole In Ceiling And Snap Fixture In Opening With Attached Spring Clips.
Ceiling Clearance Required: 1 1/2"

DIMENSIONS

ID 2" OD 2 1/2" Cut Out 2" to 2 1/8"



COMPLIANCE



Project: _____

Location: _____

Qty: _____

Notes: _____

SPECIFICATION	
Applications	Cabinets, Recessed Alcoves
Energy Used	5 W
Colour Temperature	3000 K
Light Output	400 lm
Halogen Equivalent	35 W
Beam Angle	24° Beam with 20° tilt and 360° rotation
CRI	90 +
Input	24 V DC
Dimming	Not Dimmable
Approved Location	Insulated Ceiling & Wet Locations
IP Rating	IP 54
Air Tight	Yes
Ambient Temperature	-40° F (-40° C) to +104° F (+40° C)
Projected Life	70% Light Output at 50,000 Hours
Certification	cULus
Warranty	5 Year

Every fixture comes with an external DC Module for regulating the voltage & current.
Input of this DC Module is 24V.



Available Trims



White

CHARACTERISTICS

Unique Design: Gimbal with 20° tilt and 360° rotation,

Yet Air-Tight Without Housing Needed. Patent Pending.

Body: Durable, Die Cast Aluminum Alloy for Optimal Heat Dissipation.

Paint: Oil Based Spray Painted - Scratch Resistant And Smooth Finish.

LED: Epistar COB Custom Packaged by Hongli Tronic with LM80.

Guaranteed 98% Lumen Maintenance After 6,000 Hours.

Strict Binning To Ensure Consistent Light Colour. CRI 92 for True Colour Rendering.

DC Module: 24V input DC Module connected to the fixture to regulate the voltage and current.

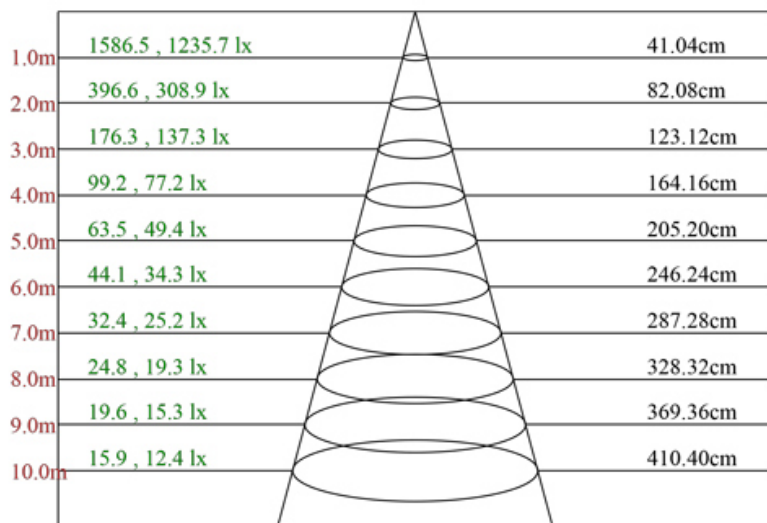
Provides possibility for low voltage wiring in the ceiling & multiple fixtures connected to one power supply.

Saves Contractors Labour On Installation.

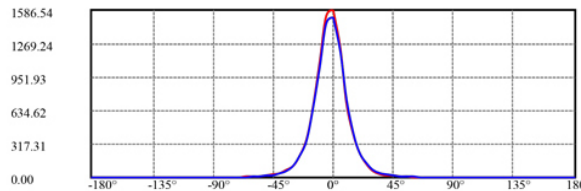
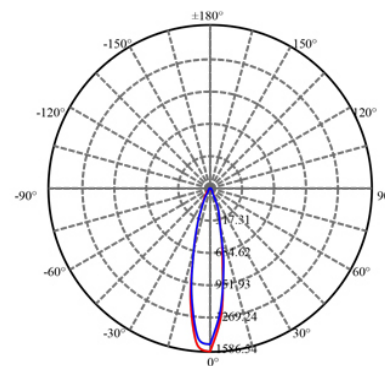
Testing: Every Fixture and DC Module Is Powered For Minimum 24 Hours before packaging.

PHOTOMETRIC DATA OF A LAB TESTED SAMPLE

MODEL:	LL2G24V-30K	LAMP FLUX:	401 LM
VOLTAGE:	24 V DC	LUMENS / POWER:	80 LM/W
POWER:	4.98 W	CENTRAL INTENSITY:	1586 CD
PF:	0.95	BEAM ANGLE:	24 DEGREES



Max , Ave Beam angle of C0plane23.16



ORDERING GUIDE

LL2G - 30K - WH

ACCESSORIES



Rough-In Plates - cat # RIP2



Warehouses

Vancouver Toronto Las Vegas Naples Philadelphia Dallas Seattle Chicago Denver

tel: 1-844-24-LOTUS (56887)

fax: 1-877-561-6306

www.lotusLEDlights.com