

**Type IC, Wet & Air-Tight**



Project: \_\_\_\_\_

Location: \_\_\_\_\_

Trim Finish: \_\_\_\_\_ Qty: \_\_\_\_\_

Notes: \_\_\_\_\_

**DESCRIPTION**

Recessed 4" Round LED With Integral Driver In Connection Box.  
Fits Where No Other Recessed Fixture Can.

**FEATURES & BENEFITS**

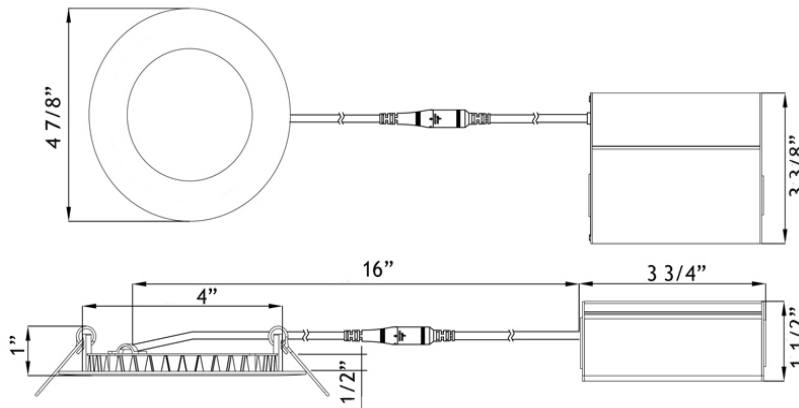
- 1/2" Thin - Install Directly Under Joists, Maximum Layout Flexibility
- Type IC Rated - No Housing Required
- Fast & Easy To Install - Save On Labour
- Driver Inside Connection Box - No Junction Box Needed

**MOUNTING**

- Cut Hole In Ceiling And Snap Fixture In Opening With Attached Spring Clips.
- 2" Above Ceiling Clearance Required For Driver.
- Cut Out - 4 1/4" to 4 1/2".

**DIMENSIONS**

ID 4"    OD 4 7/8"    Cut Out 4" to 4 1/4"



SPECIFICATION	
Applications	Recessed Ceiling, Showers & Soffits
Energy Used	11 W
Colour Temperature	3000 K
Light Output	700 lm
Halogen Equivalent	65 W
Beam Angle	110°
CRI	80 +
Driver Input	120V AC or 277V-347V AC
Power Factor	0.98
Dimming	TRIAC Dimmers 5% - 100%
Approved Location	Insulated Ceiling & Wet IP54
Air Tight	Yes
Ambient Temperature	-40° F (-40° C) to +104° F (+40° C)
Projected Life	70% Light Output at 36,000 Hours
Certification	cULus, Energy Star
Warranty	5 Year

**Driver Included**

**Cable Rating FT4 / CM**



**Trim Options**



White



Black

**COMPLIANCE**



**CHARACTERISTICS**

**Body:** Durable, Die Cast Aluminum Alloy for Optimal Heat Dissipation.

**Paint:** Oil Based Spray Painted - Scratch Resistant And Smooth Finish.

**LEDs:** 36 Pieces Of 2835.

**Driver:** In-house produced, Triac dimmable down to 5%.

**Connection Box:** Saves Contractors Labour On Installation.

Quick connectors included.

**LED lighting facts**  
A Program of the U.S. DOE

**Light Output (Lumens)** 700  
**Watts** 11  
**Lumens per Watt (Efficacy)** 63.64

**Color Accuracy**  
Color Rendering Index (CRI) 82

**Light Color**  
Combined Color Temperature (CCT) 3000 (Bright White)

2700K 3000K 4500K 6500K

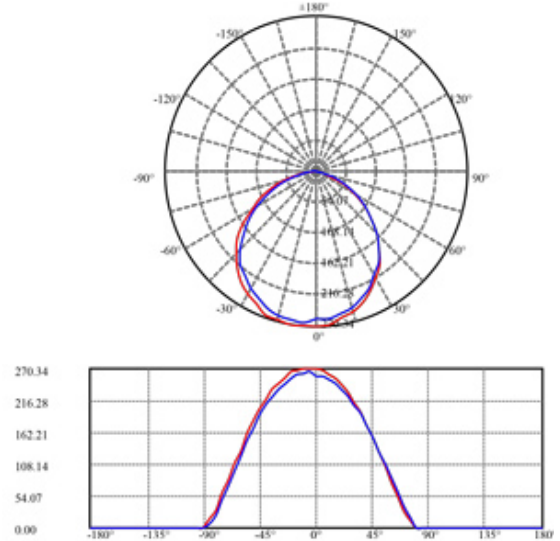
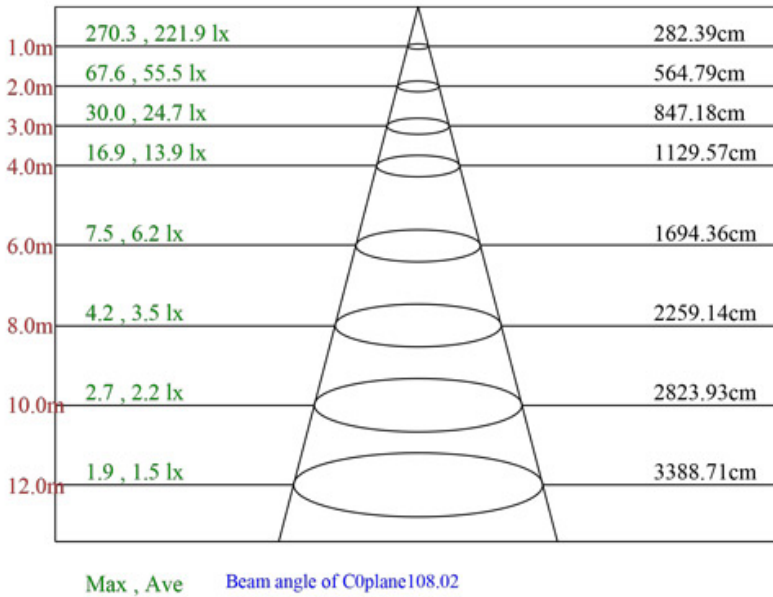
All results are according to IESNA LM-79-2008: Approved Method for the Electrical and Photometric Testing of Solid-State Lighting. The U.S. Department of Energy (DOE) verifies product test data and results.

Visit [www.lightingfacts.com](http://www.lightingfacts.com) for the Label Reference Guide.

Registration Number: K53C-IFJ53G (10/12/2016)  
Model Number: LB4R 30K  
Type: Luminaire - Downlight

**PHOTOMETRIC DATA**

MODEL:	LB4R 30K	LAMP FLUX:	702.8 LM
VOLTAGE:	120 V	LUMENS / POWER:	68.46 LM/W
POWER:	10.27 W	CENTRAL INTENSITY:	270 CD
PF:	0.978	BEAM ANGLE:	108 DEGREES



**ORDERING GUIDE**

Example: Model: **LB4R / 30K / WH**

LB4R / 30K /  Trim Finish  
 WH : White  
 BK : Black



Order 277V - 347V Optional Driver Separately As cat # LLL-LD1535HB

**ACCESSORIES**



Low Voltage Extension Cables  
 10ft - cat # **EXC10**, max 40ft extension  
 FT4 / CM rated



Flanged Rough-In Plates - cat # **LRP4**



Flat Rough-In Plates - cat # **RIP4**



Goof Ring OD 5 3/4"  
 White cat # **GR4**; Black cat # **GR4-BK**



**Warehouses**  
 Vancouver Toronto Las Vegas Naples Philadelphia Dallas Seattle Chicago Denver

tel: 1-844-24-LOTUS (56887)

fax: 1-877-561-6306

[www.lotusLEDlights.com](http://www.lotusLEDlights.com)