

## LED HIGH BAY - EXT

EXTENDED LIFE



The LED Round High Bay - EXT is an easy LED upgrade for your high ceiling environment, delivering increased lumen output, energy efficiency and cost savings under an extended 10 year warranty and 100,000 hour rated life.

Certified as a DLC Standard product, this luminaire delivers up to 120 LPW, at a 110° beam angle, for uniform, circular light distribution. Various lens packages are available, offering the perfect solution to your specific application. An optional microwave motion sensor increases efficiency, enabling occupancy sensing and daylight harvesting, further reducing operating costs over the life of the luminaire.

This LED High Bay is designed for a quick, easy installation. It's circular design allows it to align with pre-existing HID mounting layouts, while it's range of mounting accessories enable it to adapt to each custom environment.

### BENEFITS

- 10 year warranty
- 100,000 hour rated life
- DLC Standard rating
- Up to 120 LPW
- Uniform circular light distribution
- Waterproof IP66 rating
- Light weight and compact
- Optional PIR sensor for proximity sensing available
- Optional polycarbonate lens
- 0-10V dimming
- High Center Beam Candle Power
- Made in USA option

### MARKETS

- Retail
- Warehouse/storage
- Industrial
- Gymnasiums
- Transit facilities
- Garages

### APPLICATIONS

- High ceilings
- Task lighting



# LED HIGH BAY - EXT

## TECHNICAL PRODUCT INFORMATION

**Average Rated Life:** 100,000H

**CRI:** 84

**Power Factor:** ≥0.9

**Base:** Waterproof Twist Connector

**Mounting:** Snap lock hook

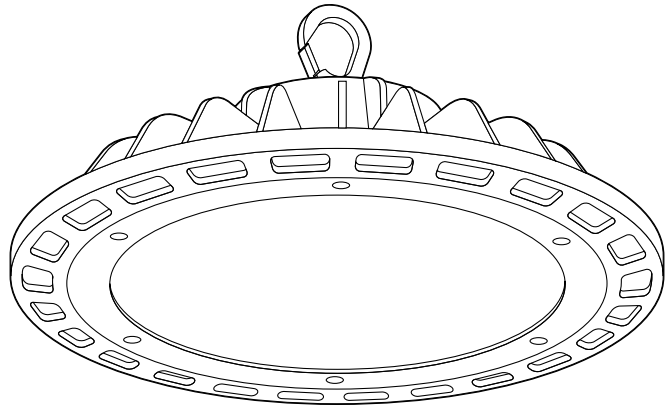
**Weight:** 125W: 16 lbs | 185W & 220W: 18 lbs

**Beam Angle:** 110°

**Surge Immunity:** Line-line 2KV, Line-earth 4KV

**Volts:** 120-277

**Dimming:** 0-10V



### SIZING

HEIGHT	DIAMETER
5.19"	15.75"

### FOOT CANDLES BY HEIGHT

MOUNTING HEIGHT (IN FEET)	DIAMETER (IN FEET)	125W FOOTCANDLES AT NADIR	185W FOOTCANDLES AT NADIR	220W FOOTCANDLES AT NADIR
16	20.6	22.5	31.3	36
20	25.7	14.4	20.1	23
24	30.8	10	13.9	16
28	36.0	7.4	10.2	11.7
32	41.1	5.6	7.8	9
36	46.3	4.5	6.2	7.1
40	51.4	3.6	5	5.8

### HIGH BAY LIFE

AMBIENT TEMP IN °F	125W HOURS L70	185W HOURS L70	220W HOURS L70
77	106,500	106,500	106,500
86	106,500	106,500	106,500
95	106,500	106,500	106,500
104	104,500	104,500	103,000
113	105,000	105,000	105,000
122	104,500	104,500	98,000
131	104,000	102,000	94,000

### HIGH BAY REPLACEMENT

WATTS	LUMENS	REPLACE METAL HALIDE	REPLACE FLUORESCENT	MOUNTING HEIGHT
125	16,000	175W & 250W	HBF 6 LAMP T8 & 4 LAMP T5	16' - 24'
185	24,000	400W MH	6 LAMP T5 HO & 8 LAMP T8	20' - 24'
220	29,000	400W MH	8 LAMP T5 HO	24' - 40'

### SPACING CRITERION

0-180'	90-270'
1.29	1.29

#### \*Warranty:

1. For installations where ambient temperature exceeds 45°C, warranty is reduced to 5 years.
2. Maximum operating temperature is 55°C.
3. For higher temperature applications consult Litetronics.

# LED HIGH BAY - EXT

## ORDERING INFORMATION

### CLEAR GLASS

WATTS	VOLTS	ORDERING CODE	DESCRIPTION	CCT (K)	LUMENS	C.B.C.P.	DIMMING
125	120-277	HB125B440DL	125W 16" BLK LED HB 120-277V GCL 4000K 0-10V DIM	4000	16,000	5402	0-10V
		HB125B450DL	125W 16" BLK LED HB 120-277V GCL 5000K 0-10V DIM	5000	16,000	5402	
185		HB185B440DL	185W 16" BLK LED HB 120-277V GCL 4000K 0-10V DIM	4000	24,000	7848	
		HB185B450DL	185W 16" BLK LED HB 120-277V GCL 5000K 0-10V DIM	5000	24,000	7848	
220		HB220B440DL	220W 16" BLK LED HB 120-277V GCL 4000K 0-10V DIM	4000	29,000	9086	
		HB220B450DL	220W 16" BLK LED HB 120-277V GCL 5000K 0-10V DIM	5000	29,000	9086	

### FROSTED GLASS

WATTS	VOLTS	ORDERING CODE	DESCRIPTION	CCT (K)	LUMENS	C.B.C.P.	DIMMING
125	120-277	HB125B140DL	125W 16" BLK LED HB 120-277V GFR 4000K 0-10V DIM	4000	15,000	4753	0-10V
		HB125B150DL	125W 16" BLK LED HB 120-277V GFR 5000K 0-10V DIM	5000	15,000	4753	
		HB125W150DL	125W 16" WHT LED HB 120-277V GFR 5000K 0-10V DIM	5000	15,000	4753	
185		HB185B140DL	185W 16" BLK LED HB 120-277V GFR 4000K 0-10V DIM	4000	22,000	6906	
		HB185B150DL	185W 16" BLK LED HB 120-277V GFR 5000K 0-10V DIM	5000	22,000	6906	
		HB185W150DL	185W 16" WHT LED HB 120-277V GFR 5000K 0-10V DIM	5000	22,000	6906	
220		HB220B140DL	220W 16" BLK LED HB 120-277V GFR 4000K 0-10V DIM	4000	26,000	7995	
		HB220B150DL	220W 16" BLK LED HB 120-277V GFR 5000K 0-10V DIM	5000	26,000	7995	

### FROSTED POLYCARBONATE

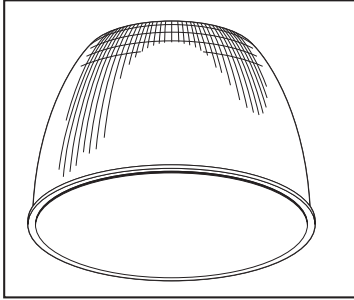
WATTS	VOLTS	ORDERING CODE	DESCRIPTION	CCT (K)	LUMENS	C.B.C.P.	DIMMING
125	120-277	HB125B250DL	125W 16" BLK LED HB 120-277V PCFR 5000K 0-10V DIM	5000	15,000	5402	0-10V
		HB125W250DL	125W 16" WHT LED HB 120-277V PCFR 5000K 0-10V DIM	5000	15,000	5402	
185		HB185B250DL	185W 16" BLK LED HB 120-277V PCFR 5000K 0-10V DIM	5000	22,000	6906	
		HB185W250DL	185W 16" WHT LED HB 120-277V PCFR 5000K 0-10V DIM	5000	22,000	6906	
220		HB220B250DL	220W 16" BLK LED HB 120-277V PCFR 5000K 0-10V DIM	5000	26,000	7995	
		HB220W250DL	220W 16" WHT LED HB 120-277V PCFR 5000K 0-10V DIM	5000	26,000	7995	

### PART NUMBER MATRIX

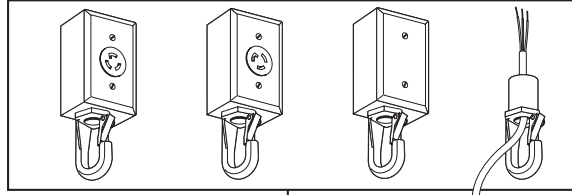
XX (PRODUCT FAMILY)	XX (WATTAGE)	X (COLOR)	XX (LENS)	XX (CCT)	XX (DIMMING)	X (DLC LISTING)
HB = HIGH BAY	125 = 125W	B = BLACK	1 = GLASS FROSTED	40 = 4000K	DL = 0-10V Dimming	Blank=Standard
	185 = 185W	W = WHITE	2 = POLYCARBONATE FROSTED	50 = 5000K		
	220 = 220W		4 = GLASS CLEAR			

# LED HIGH BAY - EXT

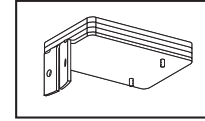
## PRODUCT ACCESSORIES



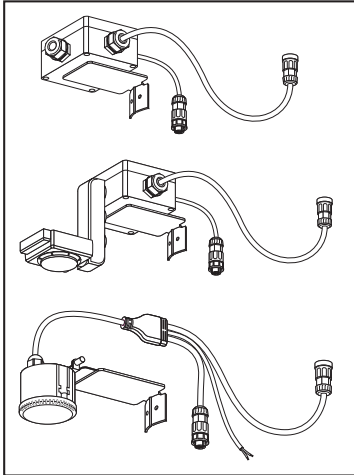
Diffuser Lens



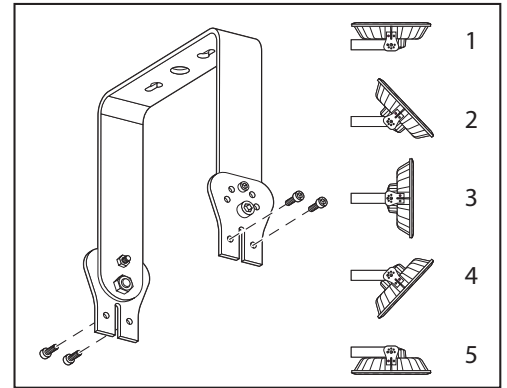
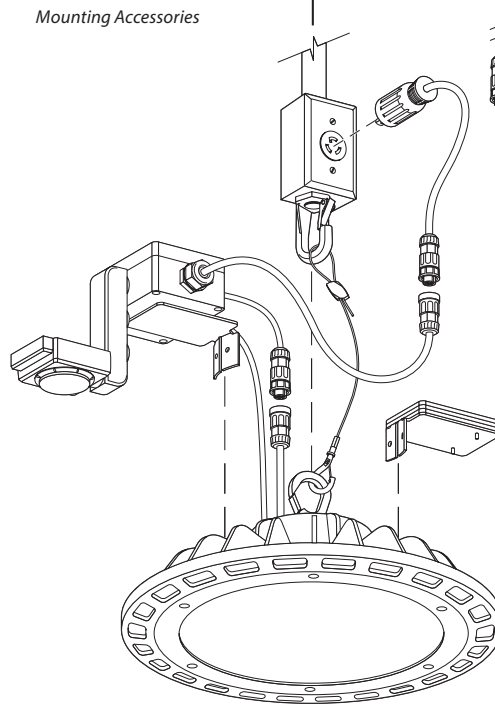
Mounting Accessories



Counter Weight



Junction Box & Sensors



Yoke Mounting



## CORD ACCESSORIES

IMAGE	MAX VOLTAGE	ORDERING CODE	DESCRIPTION	QTY/CASE	USAGE
A	120V	HBAC25	15A 120V L5-15P Plug 5' BLK Cord WP Twist Connect	10	This NEMA L5-15P Plug - twist connects with L5-15R receptacle. Other end easily connects with Twist connect of High Bay
B	277V	HBAC21	15A 277V L7-15P Plug 5' BLK Cord WP Twist Connect	10	This NEMA L7-15P Plug - twist connects with L7-15R receptacle. Other end easily connects with Twist connect of High Bay
C	120-277V	HBAC05	15A 120-277V 3 Wires 10' BLK Cord WP Twist Connect	10	Cord is 10' long. Length helps to install High bay away from power. 3 wires connected to junction box. Other end connects with Twist connect of High Bay
D	120-277V	HBAC06	15A 120-277V 3 Wires 10' WHT Cord WP Twist Connect	10	Cord is 10' long. Length helps to install High bay away from power. 3 wires connected to junction box. Other end connects with Twist connect of High Bay
E	120V	HBAC15	15A 120V L5-15P Plug 10' BLK Cord WP Twist Connect	10	This NEMA L5-15P Plug - twist connects with L5-15R receptacle. Other end easily connects with Twist connect of High Bay
F	277V	HBAC17	15A 277V L7-15P Plug 10' BLK Cord WP Twist Connect	10	This NEMA L7-15P Plug - twist connects with L7-15R receptacle. Other end easily connects with Twist connect of High Bay
G	120V	HBAC23	15A 120V 5-15P Plug 5' BLK Cord WP Twist Connect	10	This NEMA 5-15P Plug - connects with 5-15R receptacle. Other end easily connects with twist connect of High Bay

# LED HIGH BAY - EXT

## PRODUCT ACCESSORIES



## MOUNTING ACCESSORIES

IMAGE	ORDERING CODE	DESCRIPTION	QTY/CASE	ACCESSORY USE
H	HBAM20	Round Hook 24x42x60 M10	10	Used with 125W High bay instead of standard Snap hook.
I	HBAM21	Round Hook 29x49x69 M12	10	Used with 185 & 220W High bay instead of standard Snap hook.
J	HBAM22	9" x 9" Aluminum Swivel Yoke Bracket Black	10	Yoke bracket to help aim light at any angle. (5 settings)
K	HBAM23	9" x 9" Aluminum Swivel Yoke Bracket WHITE	10	Yoke bracket to help aim light at any angle. (5 settings)
L	HBAM26	125V Socket Hub & Junction Box 3/4" Snaphook	10	Connects to NEMA L5-15 plug. Cable can be passed through top of socket hub via hole in snaphook. Used to connect High Bay cable to conduit—3/4" threaded pipe.
M	HBAM27	277V Socket Hub & Junction Box 3/4" Snaphook	10	Connects to NEMA L7-15 plug. Cable can be passed through top of socket hub via hole in snaphook. Used to connect High Bay cable to conduit—3/4" threaded pipe.
N	HBAM28	Pass thru junction box with 3/4" Snaphook	10	Opening at top and bottom allow for internal connecting of cable and provide mechanical fixturing support. Top hole includes 3/4" threaded pipe.
O	HBAM30	5' Safety cable with LOOP AND CABLE LOCK	10	5' cable with loop and adjustable cable lock to set length.
P	HBAM31	Fixture hook with 3/4" pipe adapter	10	Connects directly to conduit via 3/4" threaded pipe, providing fixturing support.



R



S

## SENSOR ACCESSORIES

IMAGE	MAX VOLTAGE	CURRENT CAPACITY	ORDERING CODE	DESCRIPTION	QTY/CASE	USAGE
R	120-347V	4.32-8.33A	HBAS40	PIR Motion Sensor IP 20 with junction box	10	WattStopper HBP-112 High Bay Passive Infrared (PIR) Occupancy Sensors provide control of individual High Bay LED in indoor high and low bay spaces. Includes preconnected junction box.
S	120-277V		HBAS47	Microwave Motion Sensor IP65 120-277V and 0-10V	10	IP65 microwave motion sensor for wet locations consist of a sensor and a lens module and preconnected bracket. Detection area, time delay and daylight threshold can be precisely set via DIP switch



T



U



V



W

## JUNCTION ACCESSORIES

## COUNTER WEIGHT ACCESSORIES

## LENS ACCESSORIES

IMAGE	ORDERING CODE	DESCRIPTION	QTY/CASE	ACCESSORY USE
T	HBAJ60	JUNCTION BOX WITH BRACKET	10	Can be mounted directly on High Bay. Can be used as a connection hub with or without sensor. Sensor can be mounted on this. Good for wet location. All cords compatible.
U	HBAJ61	JUNCTION BOX WITH BRACKET AND CORD SPLITTER	10	Can be mounted directly on High Bay. Must be used as a connection hub with sensor. Sensor can be mounted on this. Good for wet location. All cords compatible.
V	HBAW70	COUNTER WEIGHT WITH BRACKET FOR SENSOR ACCESSORIES	10	This counter weight provides balance to the High Bay fixture after junction box or sensor accessories have been installed.
W	HBAD80	90 Degree PC Clear Reflector lens	10	This lens can be easily mounted to the High Bay fixture and allows 90 degree reflection.