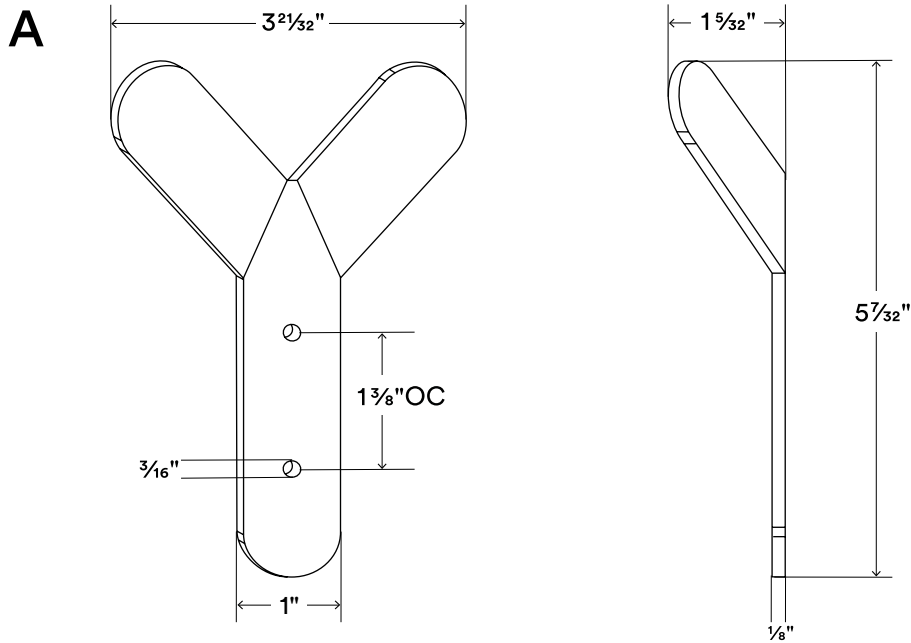


Why Not

Weight (lbs.)
.27

Load Capacity (lbs.)
50



Why Not Wall Hook

Made from $\frac{1}{8}$ " thick hot-rolled steel

Screw holes are $\frac{3}{16}$ " outside diameter (OD)

Supports 50lbs per hook when correctly mounted*

* **WARNING:** All hooks must be installed into studs, posts, or dry wall anchors. Failure to do so may result in saggy hooks, falling objects, or even injury.

** Drawings are representations only and not to scale.

© Shelfology 2020

| Figure | Material | Thickness | Height | Width | Depth | Weight (lbs) | Load (lbs) |
|--------|----------|-----------------|-------------------|--------------------|-------------------|--------------|------------|
| A | Steel | $\frac{1}{8}$ " | $5\frac{7}{32}$ " | $3\frac{21}{32}$ " | $1\frac{5}{32}$ " | .27 | 50 |