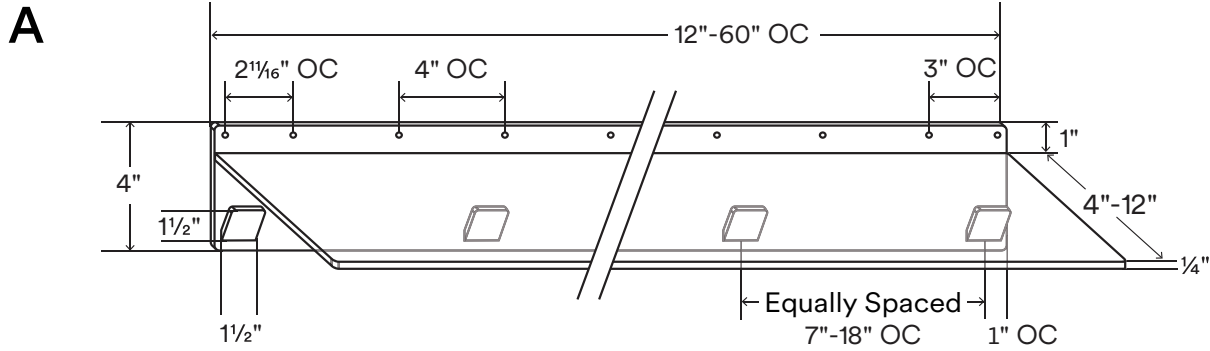


# Tromso Coat Rack

Load Capacity (lbs.)  
90 - 450\*

Shelf Depth Range (in.)  
4 -12



## About Tromso Coat Rack

Made from  $\frac{1}{4}$ " thick, hot-rolled steel

Set-through backbar construction hides welds for a clean look and insane strength

The first screw holes start  $\frac{1}{4}$ " on center (OC) from each end, second holes are  $2\frac{1}{16}$ " OC and continuing holes are 4" OC down the length of the bracket

Countersunk screw holes are  $\frac{3}{16}$ " outside diameter (OD)

Shelf weight is 0.1 lbs per square inch

Number of Hooks per length:  
12-20 inches = 2 coat hooks  
21-29 inches = 3 coat hooks  
30-39 inches = 4 coat hooks  
40-47 inches = 5 coat hooks  
48-58 inches = 6 coat hooks  
59-60 inches = 7 coat hooks

\*  
WARNING: All shelves must be installed into studs or posts. Failure to do so may result in saggy shelves, falling objects, or even injury.

\*\*  
Drawings are representations only and not to scale.

© Shelfology 2020

Figure	Load Per Linear Foot	Back Bar	Length	Shelf Depth	Shelf Thickness	Weight Per Linear Foot
A	90 lbs	4" high	12"- 60"	6"	$\frac{1}{4}$ "	7-14 lbs