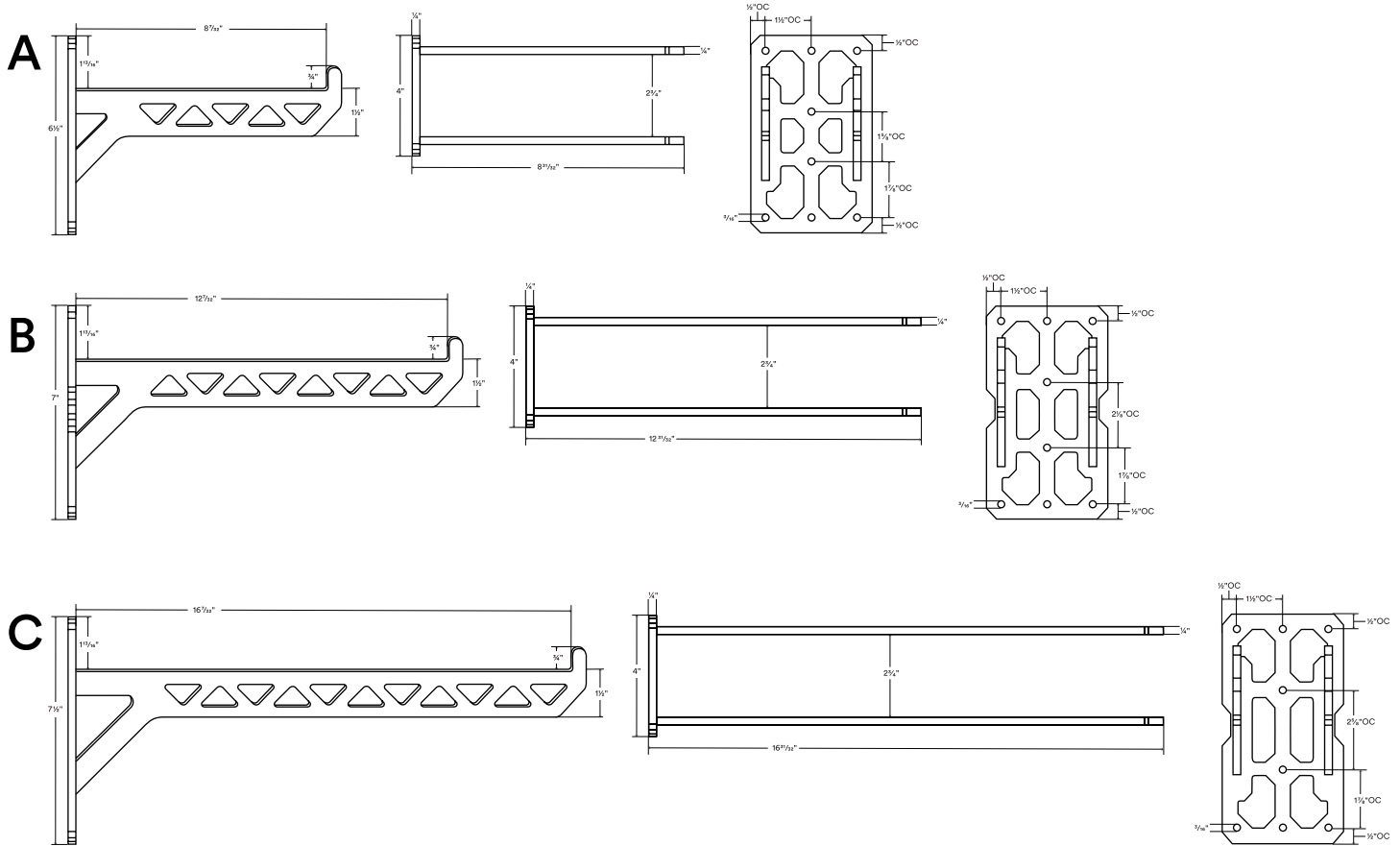


Study FM

Load Capacity (lbs.)
190-630

Bracket Weight (lbs.)
2.82-4.29



About Study FM Utility Bracket

Shelf bracket back plate and rods are 1/4" thick, solid hot-rolled steel

Mounting screw holes are 3/16"

Bracket supports 190-630 lbs. when correctly mounted*

Brackets are powder coated with any of our available colors, custom colors welcome

Study FM can function as a shelf system when combined with additional brackets**

* **WARNING:** All brackets must be installed into studs or backing. Failure to do so may result in saggy shelves, falling objects, or even injury.

** To avoid shelf failure, 48" is the maximum recommended distance between brackets used as a shelf system. Any shelf slab combined with Study bracket s should be anchored to a wall stud or backing with a set screw.

*** Drawings are representations only and not to scale.

© Shelfology 2020

Figure	Width	Depth	Height	Thickness	Weight (lbs)	Finish	Load Capacity(lbs)
A	4"	8 ³¹ / ₃₂ "	6 ¹ / ₂ "	1/4"	2.82	Powder Coat	630
B	4"	12 ³¹ / ₃₂ "	7"	1/4"	3.53	Powder Coat	430
C	4"	16 ³¹ / ₃₂ "	7 ¹ / ₂ "	1/4"	4.29	Powder Coat	190