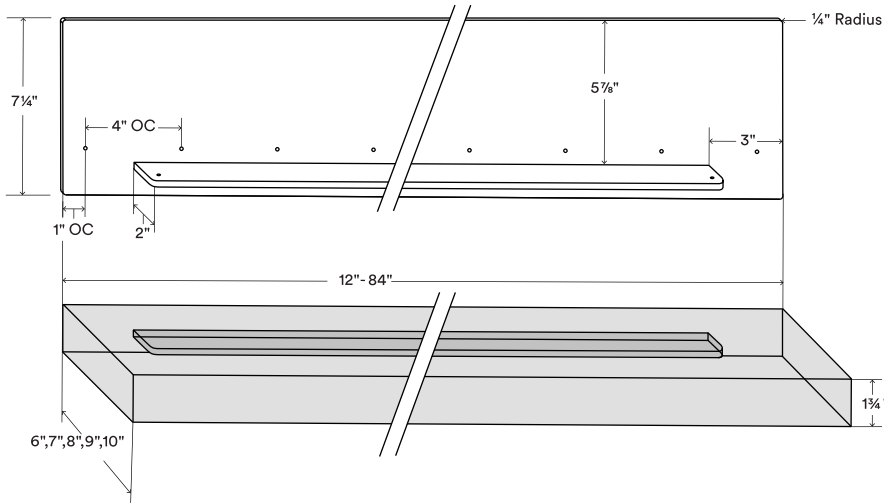


Skaksel

Load Capacity (lbs.)
45-315*

Shelf Depth Range (in.)
6 - 10

A



About Skaksel Shelf System

Shelf bracket is 1/4" thick, hot-rolled steel

Shelf bracket is powder coated with any of our available colors, custom colors welcome

Shelf wood species include ash, alder, cherry, maple, mahogany, walnut and white oak

Screw holes are 4" OC down the length of the bracket

Countersunk screw holes are 3/8" outside diameter (OD)

Blade edges are inset 2" on center (OC) from left and right bracket end

Supports up to 45 lbs. per linear foot when correctly mounted*

WARNING: All brackets must be installed into studs or posts. Failure to do so may result in saggy shelves, falling objects, or even injury.

 Drawings are representations only and not to scale.

© Shelfology 2020

Figure	Load	Shelf Length	Shelf Depth	Shelf Thickness
A	45-315 lbs	12"- 84"	6"-10"	1.75"