

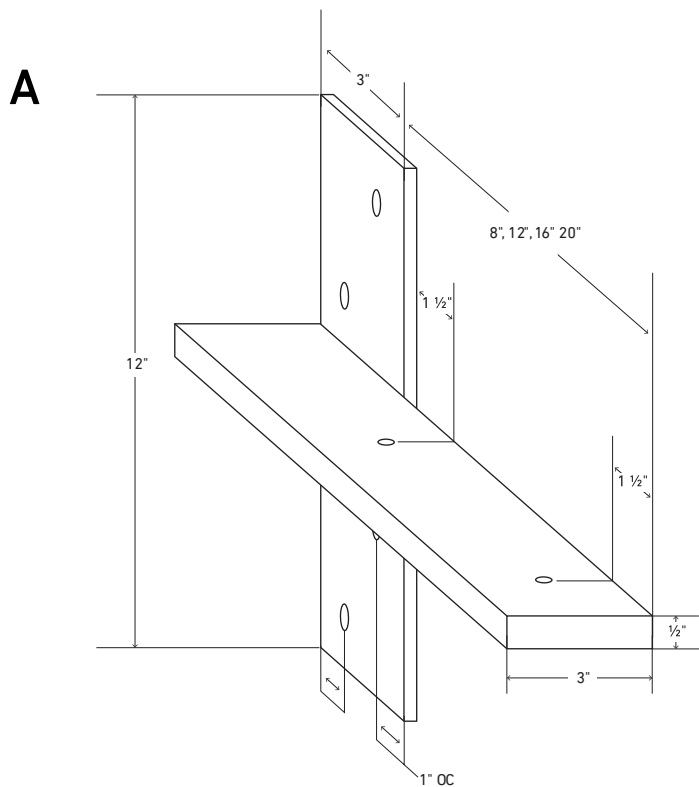
DRAKE

Load Capacity (lbs.)

60-90*

Surface Depth Range (in.)

7-18**



About Drake

- Supports surfaces from 9" to 24" deep and 1 1/2" to 4" thick
- †Recommended spacing is 32" OC for shallower, lighter duty installations, 16" OC or less for deeper, heavier duty installations
- Mounting plate is 1/4" thick hot-rolled steel, 3" long x 12" high
- Screw holes are 1/4" OD, ideal for high strength 1/4" lag bolts
- Bracket mounts to side of stud
- 3" wide x 1/2" thick support bar
- Supports up to 90 lbs. per hollow rod when correctly mounted*

*

WARNING: All brackets must be installed into studs or posts. Failure to do so may result in saggy shelves, falling objects, or even injury.

**

Request 4 1/2" rod length for shelf depth applications below 7".

Drawings are representations only and not to scale.

© Shelfology 2018

Figure	Rod Count	Load	Mounting Plate	Spacing (OC)†	Shelf Length	Shelf Depth	Shelf Thickness
A	1	90 lbs	3" x 12"	16" - 32"	Any	7" - 11"	1 1/2" - 4"
A	1	78 lbs	3" x 12"	16" - 32"	Any	12" - 15"	1 1/2" - 4"
A	1	70 lbs	3" x 12"	16" - 32"	Any	16" - 18"	1 1/2" - 4"
A	1	60 lbs	3" x 12"	16" - 32"	Any	19" - 24"	1 1/2" - 4"

CUSTOM BRACKETS ARE NO PROBLEM. EXPECT SAME INSANE RADNESS ACROSS THE BOARD. SERIOUSLY. CALL US. **949.244.1083**



Get More Hardware & Ready To Hang Radness
 Order Online at shelfology.com //
 Email hello@shelfology.com //
 Order Now **949.244.1083**