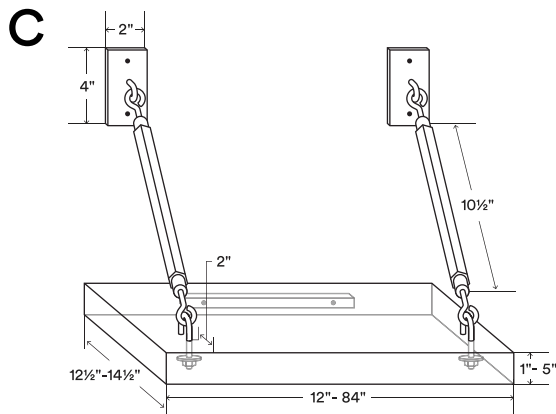
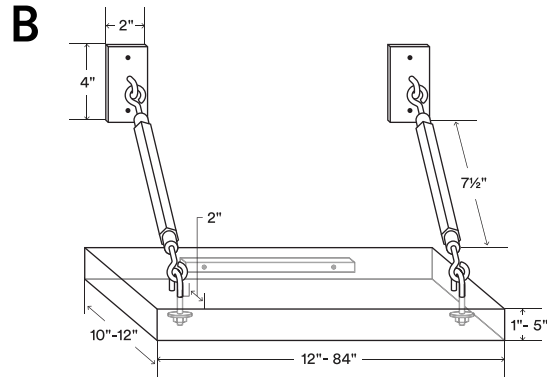
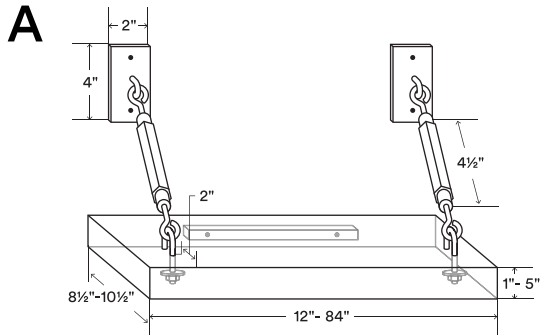


Clark

Load Capacity (lbs.)
240*

Shelf Depth Range (in.)
8½ - 14½



About Clark Hardware

Cleat included only with complete shelf system

Clark hardware purchased separately utilizes pocket hole screws on wall

J hook designed to accommodate wood slabs ¾" to 5" thick

Turnbuckles should not be more than 48" apart

Each turnbuckle supports up to 120 lbs*

WARNING: All brackets must be installed into studs or posts. Failure to do so may result in saggy shelves, falling objects, or even injury.

** Drawings are representations only and not to scale.

© Shelfology 2020

Figure	Load	Color	Shelf Length	Shelf Depth	Shelf Thickness	SKU
A	240 lbs	Blackened Steel	12"- 84"	8½"-10½"	1"- 5"	BTB--08--MMLB
A	240 lbs	Clear	12"- 84"	8½"-10½"	1"- 5"	BTB--08--MMSA
B	240 lbs	Blackened Steel	12"- 84"	10"- 12"	1"- 5"	BTB--10--MMLB
B	240 lbs	Clear	12"- 84"	10"- 12"	1"- 5"	BTB--10--MMSA
C	240 lbs	Blackened Steel	12"- 84"	12½"-14½"	1"- 5"	BTB--12--MMLB
C	240 lbs	Clear	12"- 84"	12½"-14½"	1"- 5"	BTB--12--MMSA