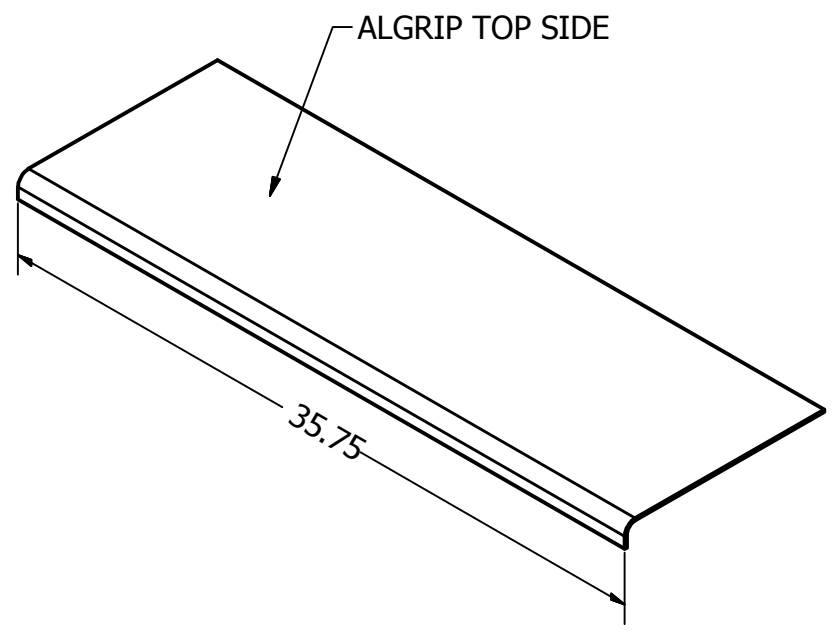
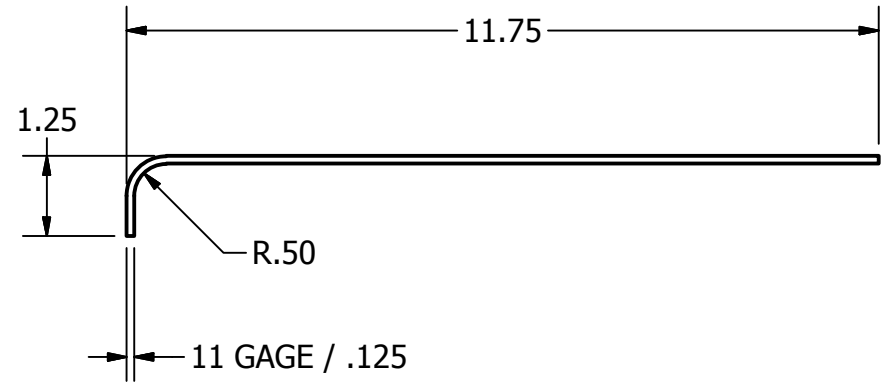


2

1

B

B




MATERIAL AND FINISHES (SELECT ONE OF EACH)

MATERIAL CHOICES	FINISH OPTIONS
CARBON STEEL	MILL HOT DIP GALVANIZED
304 STAINLESS STEEL 316 STAINLESS STEEL	MILL (PLATE ONLY) 2B BRUSHED (SHEET ONLY) MATTE ABRASIVE BLAST
3003 ALUMINUM 5052 ALUMINUM 6061 ALUMINUM	MILL

FOR SIZES OTHER THAN ILLUSTRATED ABOVE,
PLEASE SELECT ALGRIP CUSTOM TREAD REPAIR COVERS

TOLERANCES $\pm 1/8"$
STANDARD 90° BENDS TYPICAL

		ALGRIP® ROSS TECHNOLOGY CORP. LEOLA, PA USA www.algrip.com -- 717.656.2200	
		ALGRIP STANDARD TREAD REPAIR COVERS	
SIZE	UNITS	DWG NO	REV
A	INCHES	AG_TRDRPR_STD	
SCALE			SHEET 1 OF 1

2

1

A

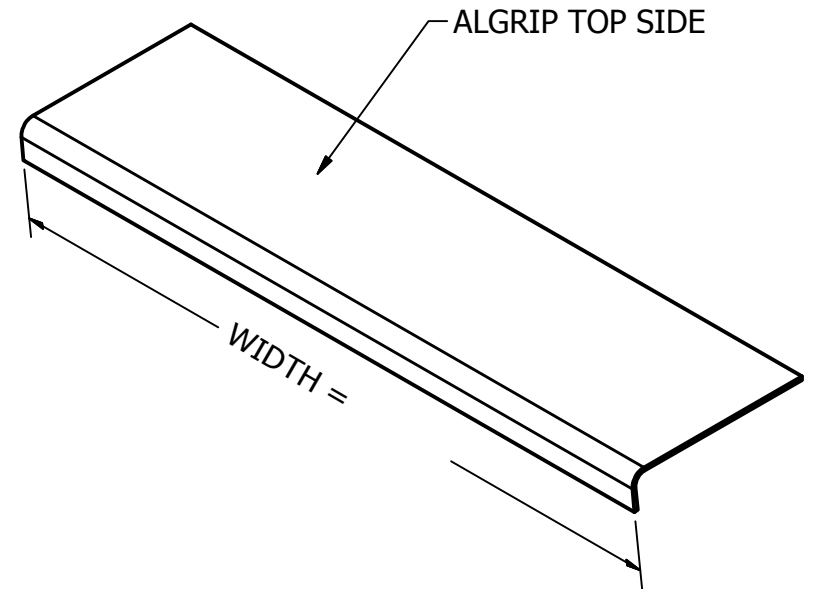
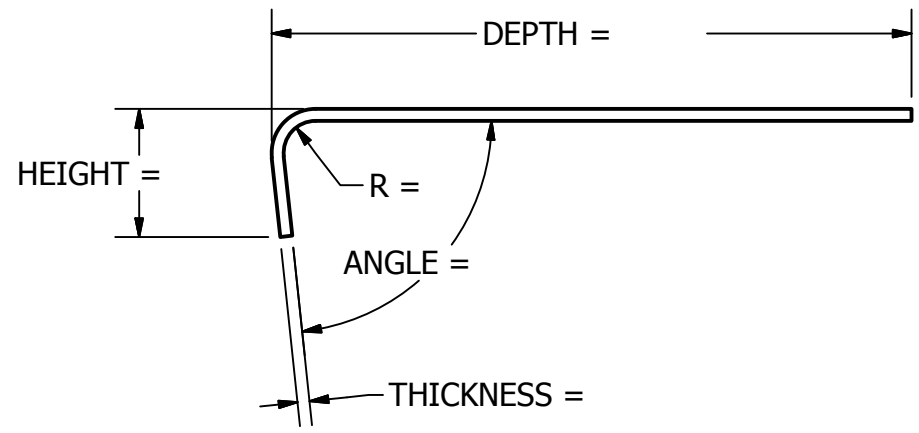
A

2

1

B

B




A

A

TOLERANCES ± 1/8"

MATERIAL AND FINISHES (SELECT ONE OF EACH)	
MATERIAL CHOICES	FINISH OPTIONS
CARBON STEEL	MILL HOT DIP GALVANIZED
304 STAINLESS STEEL 316 STAINLESS STEEL	MILL (PLATE ONLY) 2B BRUSHED (SHEET ONLY) MATTE ABRASIVE BLAST
3003 ALUMINUM 5052 ALUMINUM 6061 ALUMINUM	MILL

		ALGRIP® ROSS TECHNOLOGY CORP. LEOLA, PA USA www.algrip.com -- 717.656.2200	
		ALGRIP CUSTOM TREAD REPAIR COVERS	
SIZE	UNITS	DWG NO	REV
A	INCHES	AG_TRDRPR_CST	
SCALE		SHEET 1 OF 1	

2

1

