

MATERIAL AND FINISHES (SELECT ONE OF EACH)	
MATERIAL CHOICES	FINISH OPTIONS
CARBON STEEL	MILL HOT DIP GALVANIZED
304 STAINLESS STEEL 316 STAINLESS STEEL	MILL (PLATE ONLY) 2B BRUSHED (SHEET ONLY) MATTE ABRASIVE BLAST
3003 ALUMINUM 5052 ALUMINUM 6061 ALUMINUM	MILL

FOR SIZES OTHER THAN ILLUSTRATED ABOVE,  
PLEASE SELECT ALGRIP CUSTOM TREADS

TOLERANCES  $\pm 1/8"$   
STANDARD 90° BENDS TYPICAL

		<b>ALGRIP®</b> ROSS TECHNOLOGY CORP. LEOLA, PA USA www.algrip.com -- 717.656.2200	
<b>ALGRIP STANDARD STAIR TREADS</b>			
SIZE	UNITS	DWG NO	REV
A	INCHES	AG_TRD_STD	
SCALE			SHEET 1 OF 1

2

1

B

B

A

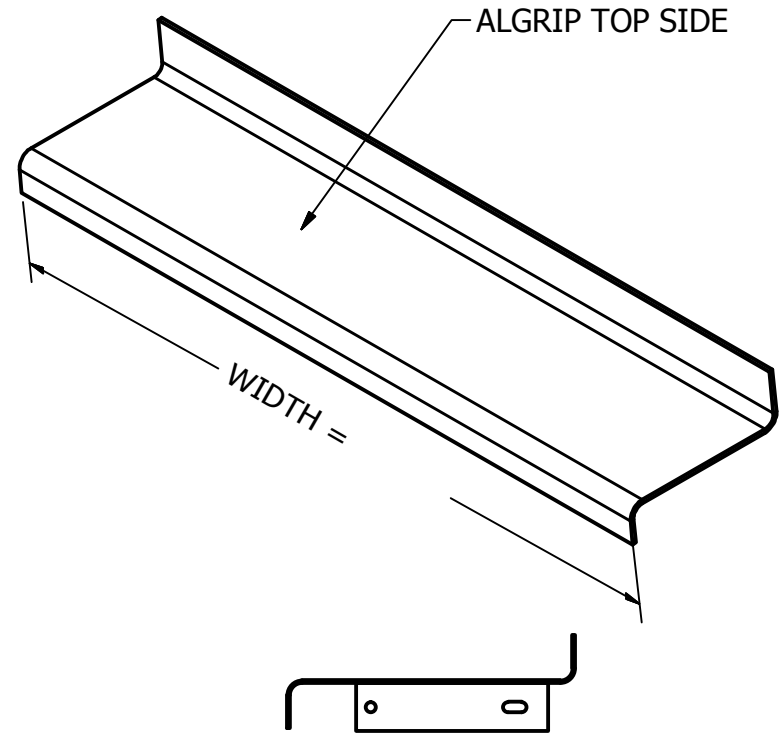
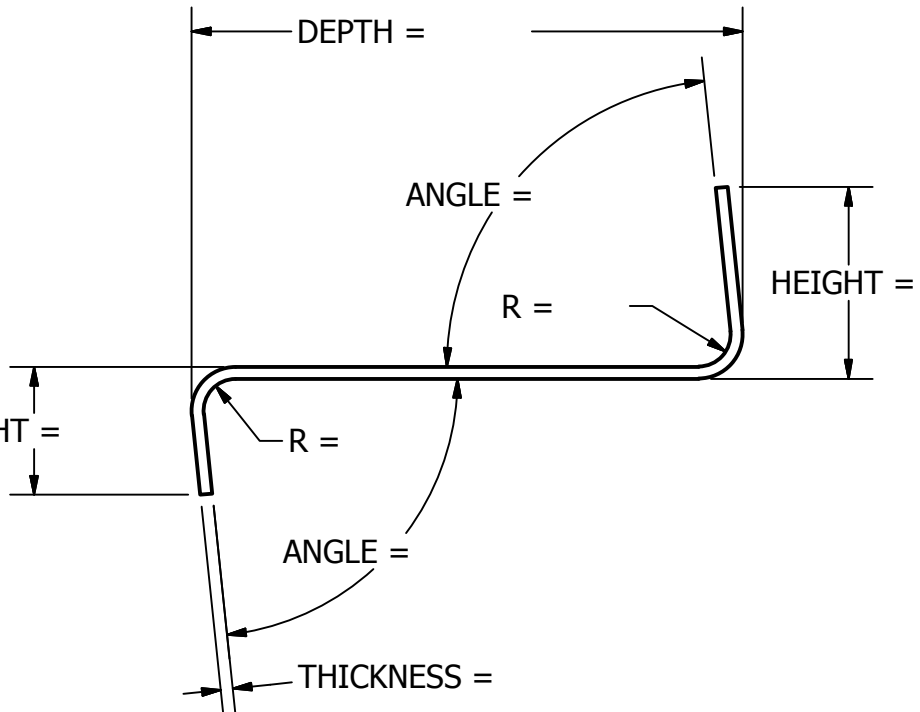
A

A

A

2

1



OPTIONAL CARRIER PER CUSTOMER DESIGN

TOLERANCES ± 1/8"

MATERIAL AND FINISHES (SELECT ONE OF EACH)	
MATERIAL CHOICES	FINISH OPTIONS
CARBON STEEL	MILL HOT DIP GALVANIZED
304 STAINLESS STEEL 316 STAINLESS STEEL	MILL (PLATE ONLY) 2B BRUSHED (SHEET ONLY) MATTE ABRASIVE BLAST
3003 ALUMINUM 5052 ALUMINUM 6061 ALUMINUM	MILL

		<b>ALGRIP®</b> ROSS TECHNOLOGY CORP. LEOLA, PA USA www.algrip.com -- 717.656.2200	
		<b>ALGRIP CUSTOM STAIR TREADS</b>	
SIZE	UNITS	DWG NO	REV
A	INCHES	AG_TRD_CST	
SCALE			SHEET 1 OF 1