
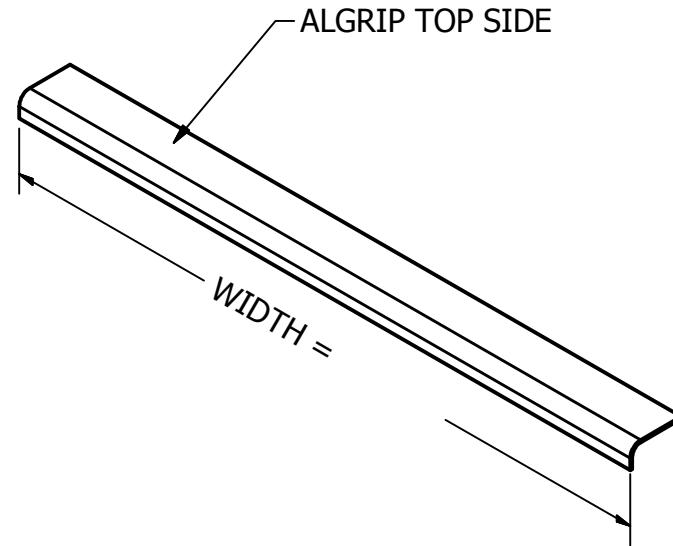
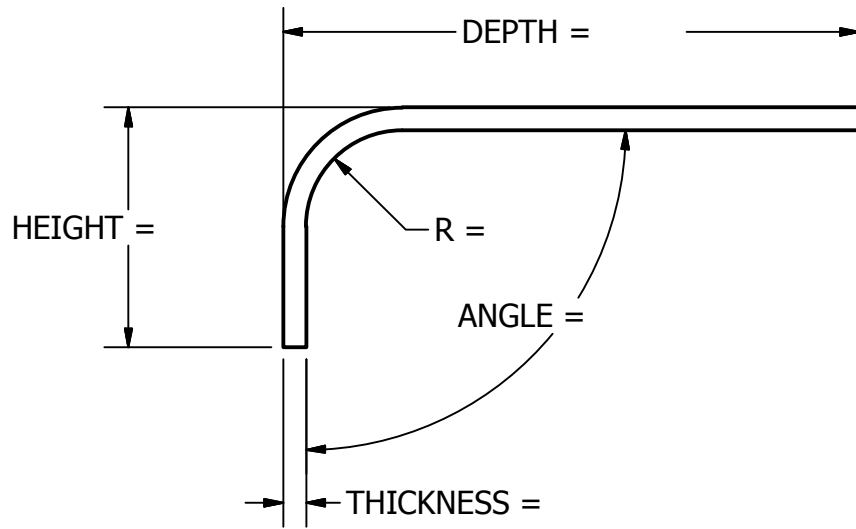


MATERIAL AND FINISHES (SELECT ONE OF EACH)	
MATERIAL CHOICES	FINISH OPTIONS
CARBON STEEL	MILL HOT DIP GALVANIZED
304 STAINLESS STEEL 316 STAINLESS STEEL	MILL (PLATE ONLY) 2B BRUSHED (SHEET ONLY) MATTE ABRASIVE BLAST
3003 ALUMINUM 5052 ALUMINUM 6061 ALUMINUM	MILL

TOLERANCES $\pm 1/8"$
STANDARD 90° BENDS TYPICAL

FOR SIZES OTHER THAN ILLUSTRATED ABOVE,
PLEASE SELECT ALGRIP CUSTOM NOSINGS


		ALGRIP® ROSS TECHNOLOGY CORP. LEOLA, PA USA www.algrip.com -- 717.656.2200	
		ALGRIP STANDARD NOSINGS	
TITLE			
SIZE	UNITS	DWG NO	REV
A	INCHES	AG_NOS_STD	
SCALE		SHEET 1 OF 1	



MATERIAL AND FINISHES (SELECT ONE OF EACH)

MATERIAL CHOICES	FINISH OPTIONS
CARBON STEEL	MILL HOT DIP GALVANIZED
304 STAINLESS STEEL 316 STAINLESS STEEL	MILL (PLATE ONLY) 2B BRUSHED (SHEET ONLY) MATTE ABRASIVE BLAST
3003 ALUMINUM 5052 ALUMINUM 6061 ALUMINUM	MILL

TOLERANCES $\pm 1/8"$

		ALGRIP® ROSS TECHNOLOGY CORP. LEOLA, PA USA www.algrip.com -- 717.656.2200	
TITLE			
ALGRIP CUSTOM NOSINGS			
SIZE	UNITS	DWG NO	REV
A	INCHES	AG_NOS_CST	
SCALE			SHEET 1 OF 1