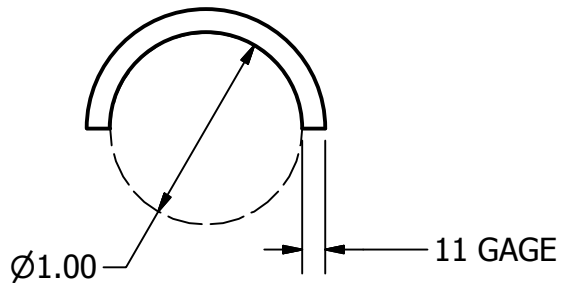
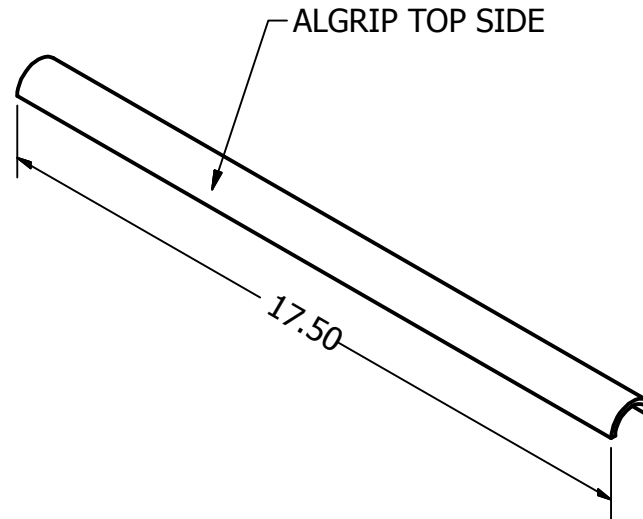


FITS .75 DIA RUNG



FITS 1.0 DIA RUNG

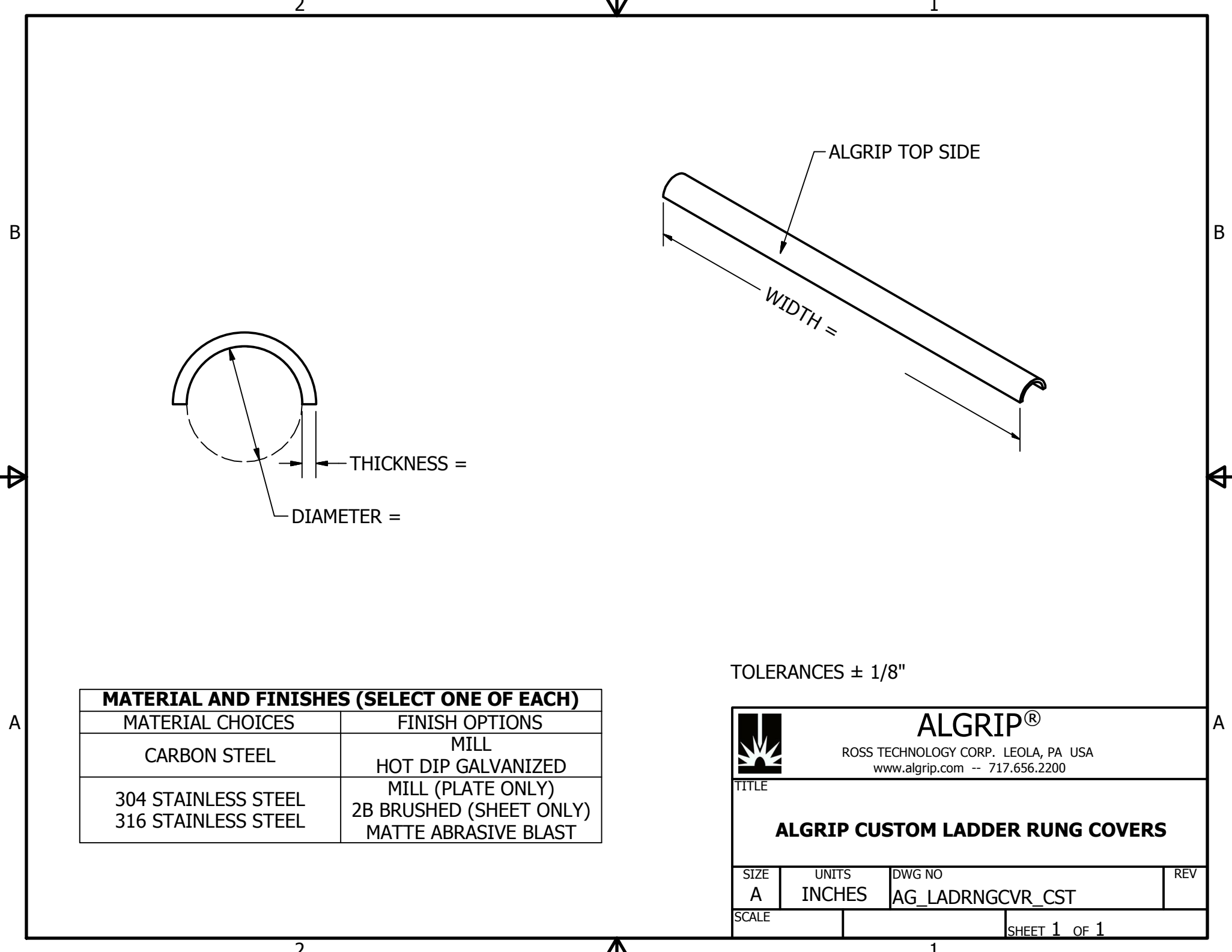


TOLERANCES $\pm 1/8"$

MATERIAL AND FINISHES (SELECT ONE OF EACH)	
MATERIAL CHOICES	FINISH OPTIONS
CARBON STEEL	MILL HOT DIP GALVANIZED
304 STAINLESS STEEL 316 STAINLESS STEEL	MILL (PLATE ONLY) 2B BRUSHED (SHEET ONLY) MATTE ABRASIVE BLAST

FOR SIZES OTHER THAN ILLUSTRATED ABOVE,
PLEASE SELECT ALGRIP CUSTOM RUNG COVERS

		ALGRIP® ROSS TECHNOLOGY CORP. LEOLA, PA USA www.algrip.com -- 717.656.2200	
TITLE			
ALGRIP STANDARD LADDER RUNG COVERS			
SIZE	UNITS	DWG NO	REV
A	INCHES	AG_LADRNGCVR_STD	
SCALE			SHEET 1 OF 1

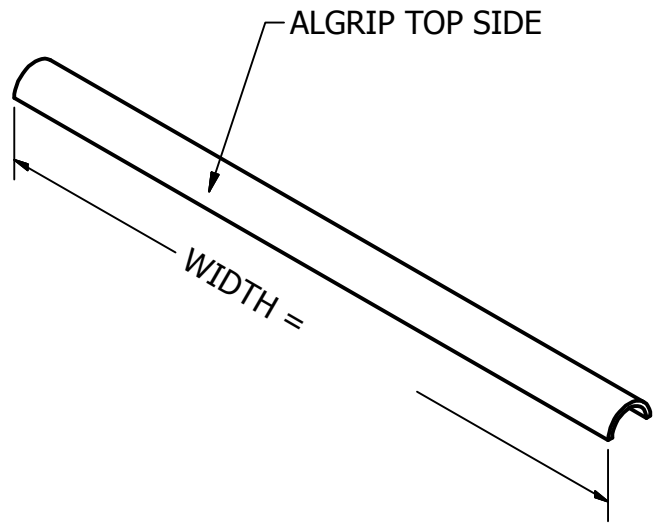
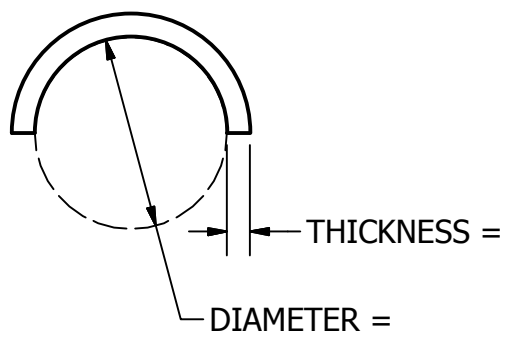


2

1

B

B



TOLERANCES ± 1/8"

MATERIAL AND FINISHES (SELECT ONE OF EACH)	
MATERIAL CHOICES	FINISH OPTIONS
CARBON STEEL	MILL HOT DIP GALVANIZED
304 STAINLESS STEEL 316 STAINLESS STEEL	MILL (PLATE ONLY) 2B BRUSHED (SHEET ONLY) MATTE ABRASIVE BLAST

		ALGRIP® ROSS TECHNOLOGY CORP. LEOLA, PA USA www.algrip.com -- 717.656.2200	
		ALGRIP CUSTOM LADDER RUNG COVERS	
SIZE	UNITS	DWG NO	REV
A	INCHES	AG_LADRNGCVR_CST	
SCALE			SHEET 1 OF 1

A

A

2

1