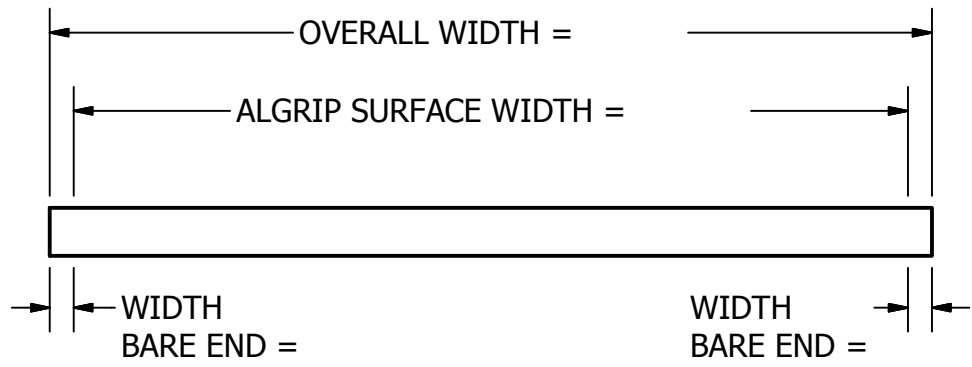
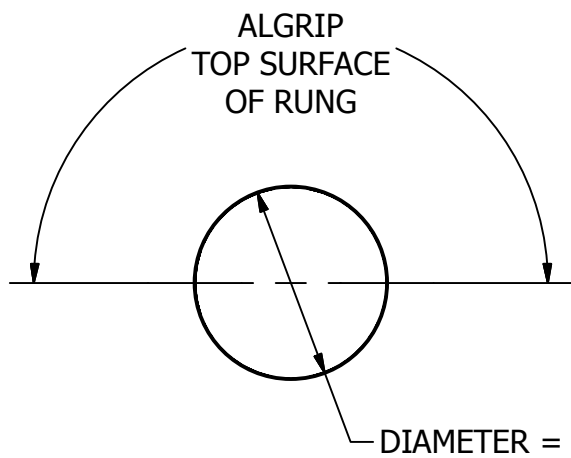
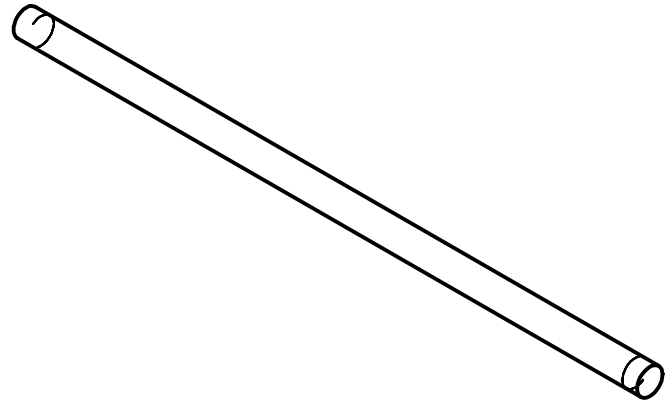


MATERIAL AND FINISHES (SELECT ONE OF EACH)	
MATERIAL CHOICES	FINISH OPTIONS
CARBON STEEL	MILL HOT DIP GALVANIZED
304 STAINLESS STEEL 316 STAINLESS STEEL	MILL MATTE ABRASIVE BLAST

FOR SIZES OTHER THAN ILLUSTRATED ABOVE,
PLEASE SELECT ALGRIP CUSTOM LADDER RUNGS

TOLERANCES ± 1/8"

		ALGRIP® ROSS TECHNOLOGY CORP. LEOLA, PA USA www.algrip.com -- 717.656.2200	
		ALGRIP STANDARD LADDER RUNGS	
SIZE	UNITS	DWG NO	REV
A	INCHES	AG_LADRNG_STD	
SCALE			SHEET 1 OF 1



TOLERANCES ± 1/8"

MATERIAL AND FINISHES (SELECT ONE OF EACH)	
MATERIAL CHOICES	FINISH OPTIONS
CARBON STEEL	MILL HOT DIP GALVANIZED
304 STAINLESS STEEL 316 STAINLESS STEEL	MILL MATTE ABRASIVE BLAST

		ALGRIP® ROSS TECHNOLOGY CORP. LEOLA, PA USA www.algrip.com -- 717.656.2200	
		ALGRIP CUSTOM LADDER RUNGS	
SIZE	UNITS	DWG NO	REV
A	INCHES	AG_LADRNG_CST	
SCALE			SHEET 1 OF 1