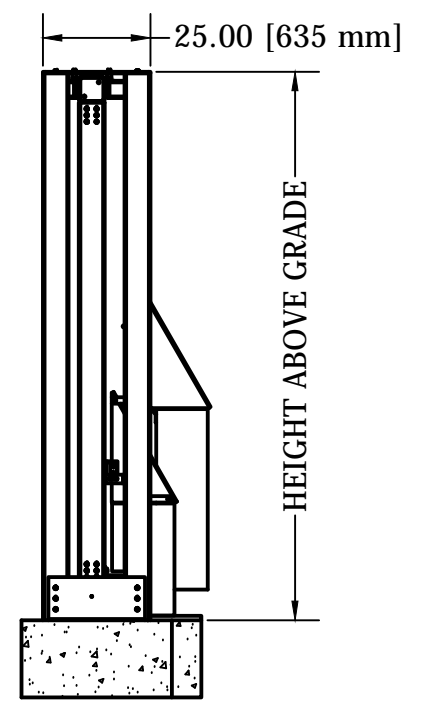
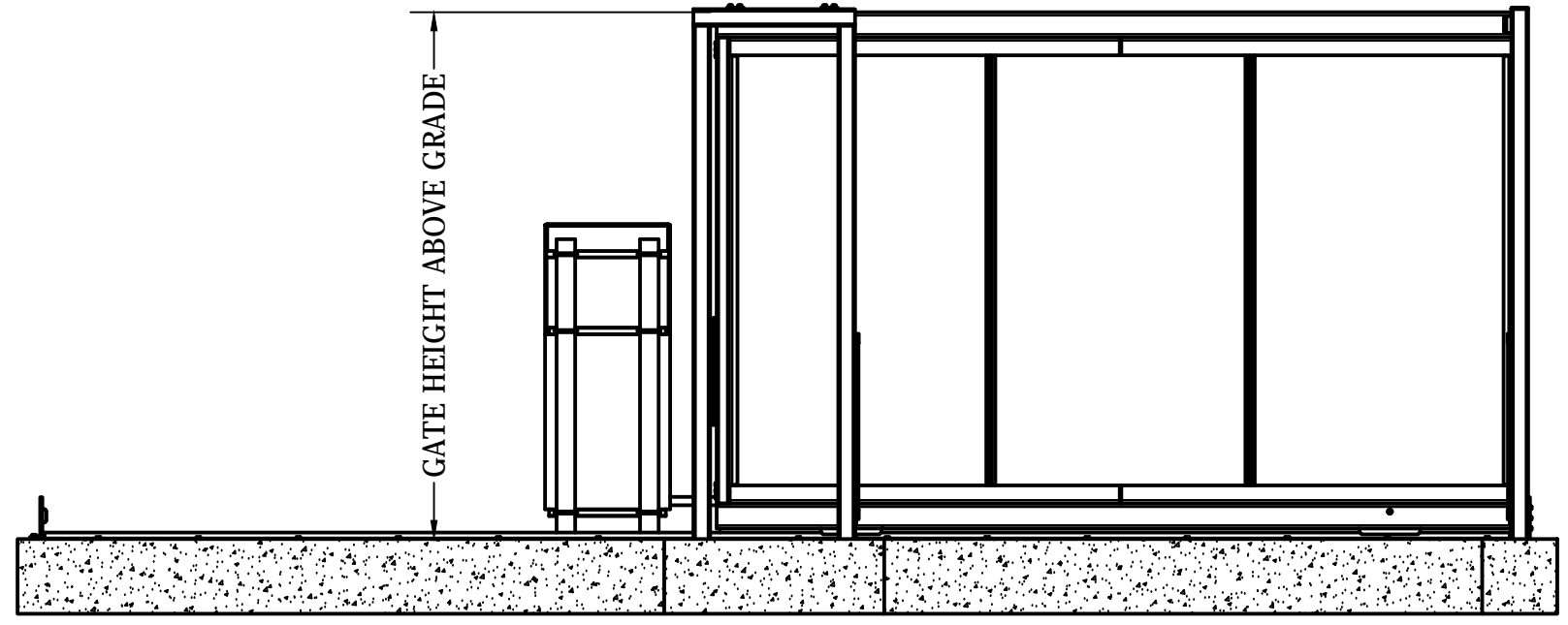
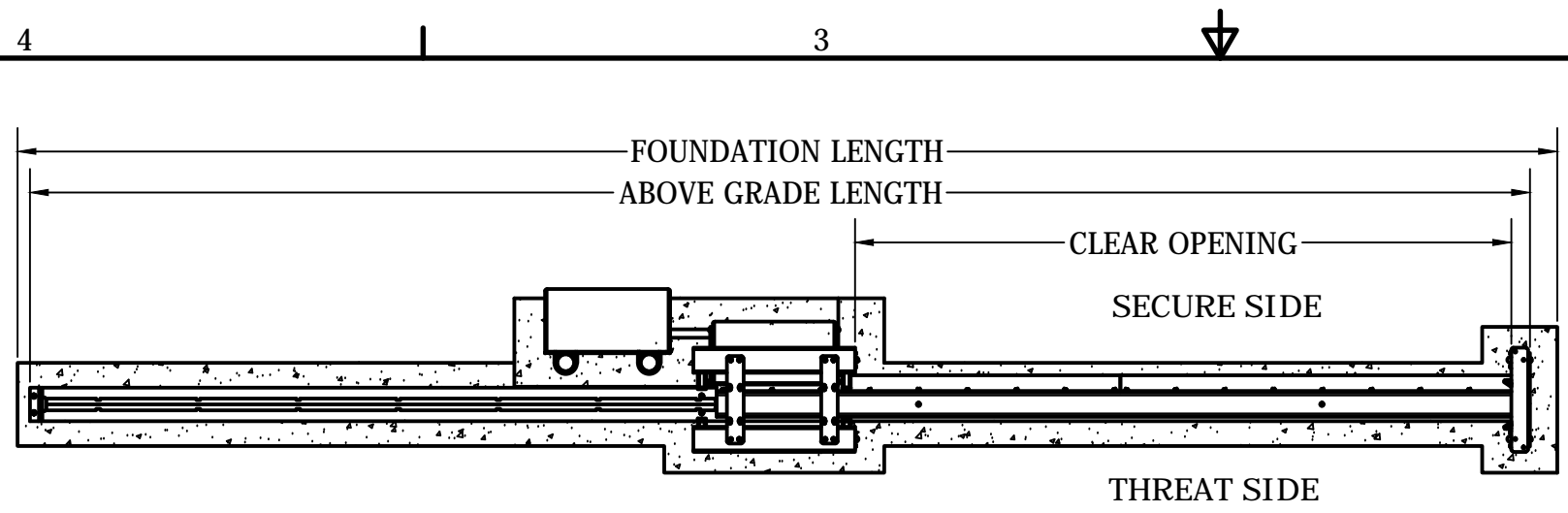


LEFT HAND CONFIGURATION SHOWN

RESTRICTED CONFIDENTIAL DOCUMENT		DRAWN TJM 1/23/2014		<b>ROSS Technology Corp.</b> Leola, PA USA	
THIS DRAWING AND ALL INFORMATION SHOWN HEREON ARE THE EXCLUSIVE PROPERTY OF ROSS TECHNOLOGY CORPORATION, AND ARE SUBMITTED ONLY ON A CONFIDENTIAL BASIS. THE RECIPIENT AGREES: (1) NOT TO USE ANY OF THE INFORMATION DISCLOSED HEREIN TO PRODUCE ANY PRODUCT EXCEPT AS AUTHORIZED IN WRITING BY ROSS TECHNOLOGY CORPORATION; (2) NOT TO REPRODUCE THE DRAWING; (3) TO RETURN THE DRAWING UPON REQUEST; AND (4) THAT NO DISCLOSURE OF THE DRAWING OR THE INFORMATION SHOWN HEREON WILL BE MADE TO A THIRD PARTY WITHOUT THE PRIOR WRITTEN CONSENT OF ROSS TECHNOLOGY CORPORATION.		APPROVED			
<b>Tolerances</b>	Angular (Deg/Min)	± 0' 30"		DESCRIPTION ANTI-CLIMB GATE GENERAL ASSEMBLY	
	Linear (Frac)	± 1/16		CUSTOMER	
	Linear (Dec)	.x ± .13 .xx ± .06 .xxx ± .031		-	
SIZE	WO#	PART NO		REV	
B	-	XT-4000-SG		-	
SCALE	SHEET	1		1	



LEFT HAND CONFIGURATION SHOWN

RESTRICTED CONFIDENTIAL DOCUMENT		DRAWN TJM 1/23/2014		ROSS Technology Corp. Leola, PA USA	
THIS DRAWING AND ALL INFORMATION SHOWN HEREON ARE THE EXCLUSIVE PROPERTY OF ROSS TECHNOLOGY CORPORATION, AND ARE SUBMITTED ONLY ON A CONFIDENTIAL BASIS. THE RECIPIENT AGREES: (1) NOT TO USE ANY OF THE INFORMATION DISCLOSED HEREIN TO PRODUCE ANY PRODUCT EXCEPT AS AUTHORIZED IN WRITING BY ROSS TECHNOLOGY CORPORATION; (2) NOT TO REPRODUCE THE DRAWING; (3) TO RETURN THE DRAWING UPON REQUEST; AND (4) THAT NO DISCLOSURE OF THE DRAWING OR THE INFORMATION SHOWN HEREON WILL BE MADE TO A THIRD PARTY WITHOUT THE PRIOR WRITTEN CONSENT OF ROSS TECHNOLOGY CORPORATION.		APPROVED			
Tolerances	Angular (Deg/Min)	± 0°30'		DESCRIPTION OPAQUE GATE GENERAL ASSEMBLY	
	Linear (Frac)	± 1/16		CUSTOMER	
	Linear (Dec)	.xx ± .13		SIZE WO# PART NO REV	
		.xxx ± .031		B - XT-4000-SG -	
SCALE		SHEET		1 1	