

SUMMARY OF PROVIDED MATERIAL		
Item	DESCRIPTION	QTY.
1	XT-2000-WB HEALD "VIPER" WEDGE BARRIER M50PI CRASH RATING	1
2	xx	
3	xx	
4	xx	
5	xx	
6	xx	
7	xx	
8	xx	
9	xx	
10	xx	

THIS DOCUMENT IS THE COPYRIGHT OF HEALD LTD AND MAY NOT BE REPRODUCED IN PART OR IN WHOLE FOR ANY PURPOSE OTHER THAN THAT FOR WHICH IT IS SUPPLIED, WITHOUT THE WRITTEN PERMISSION OF HEALD LTD.

DESIGN COPYRIGHT HEALD LIMITED 1985. HEALD HT1-VIPER MANUFACTURED BY ROSS SECURITY SYSTEMS, LLC UNDER LICENCE FROM HEALD LIMITED.

SITE MATERIAL REQUIRED BY BUILDER		
Item	DESCRIPTION	QTY.
A	xx	x
B	xx	
C	xx	
D	xx	
E	xx	
F	xx	
G	xx	
H	xx	
i	xx	
J	xx	

PLEASE NOTE REFER TO DATA SHEET(S) FOR FULL EQUIPMENT SPECIFICATION DETAILS.

INFORMATION ON THIS DRAWING IS FOR GUIDANCE ONLY AND NOT SITE SPECIFIC.

DIMENSIONS IN [] ARE IN MILLIMETERS.

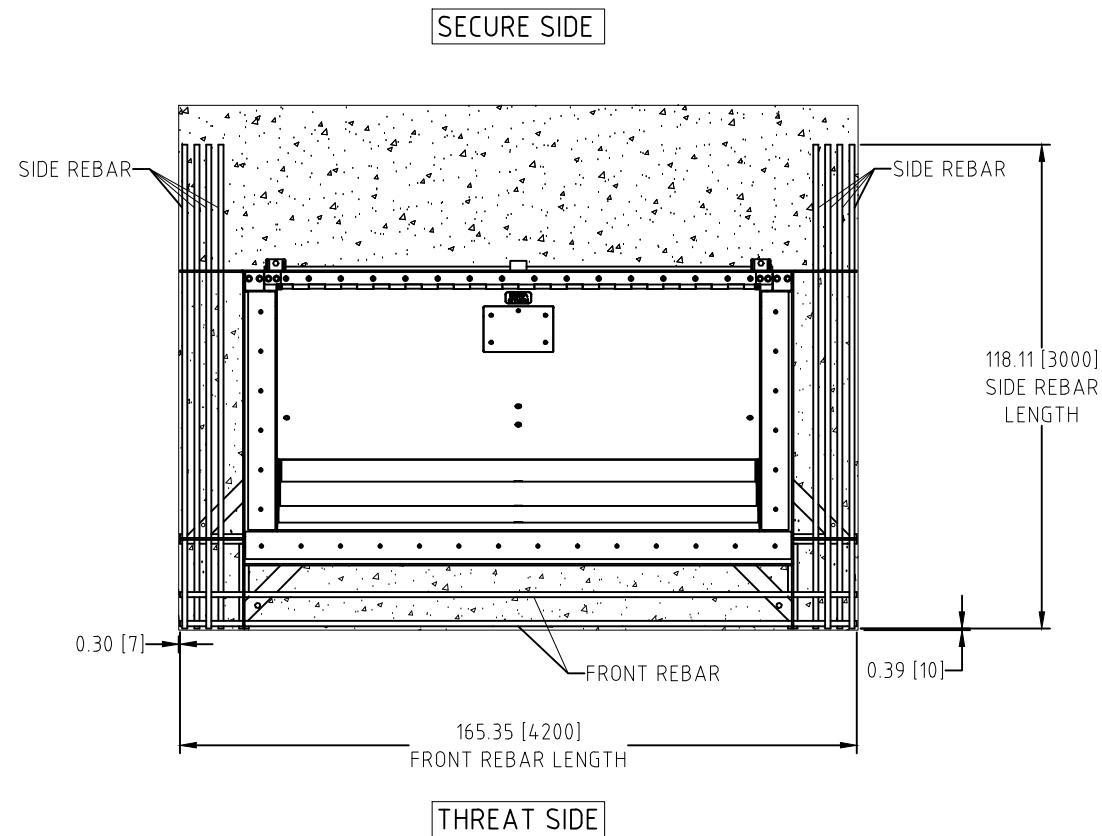
ROSS Technology Corp.
Leola, PA USA

Title: VIPER WEDGE BARRIER CUT SHEET

Project Number: -

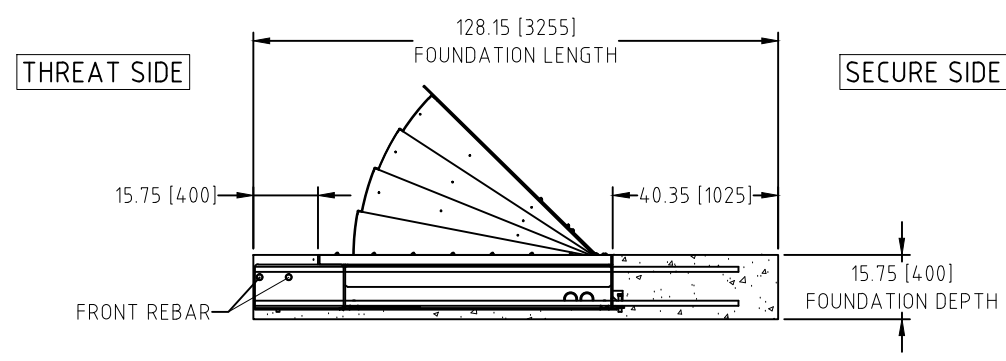
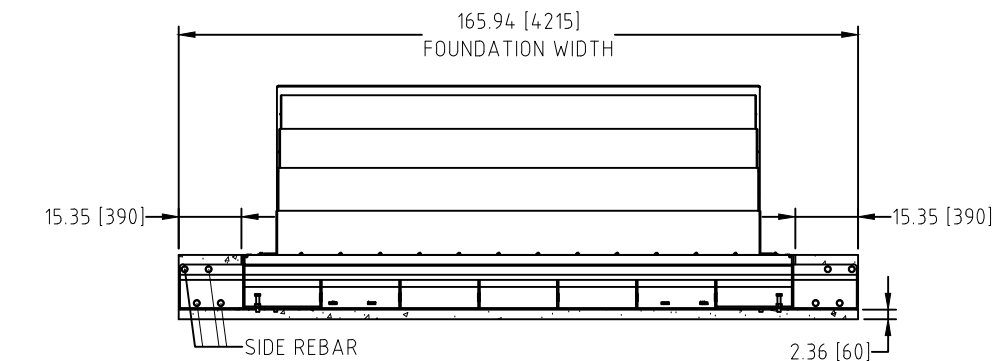
Drawn TJM	Checked TJM	Date 1/23/2014	Scale NTS
--------------	----------------	-------------------	--------------

Dwg no. XT-2000-W Sheet 1 of 3



INSTALLATION NOTES:

1. SITE CONTRACTOR SHALL VERIFY ALL DIMENSIONS AT THE JOB SITE.
2. SITE CONTRACTOR SHALL BE RESPONSIBLE FOR THE PROTECTION OF ALL ADJACENT AREAS AGAINST DAMAGE.
3. SITE CONTRACTOR SHALL REPAIR OR PATCH DAMAGED AREAS TO MATCH EXISTING AREA.
4. SITE CONTRACTOR SHALL KEEP THE CONSTRUCTION AREA CLEAN AT ALL TIMES.
5. SITE CONTRACTOR SHALL AT COMPLETION OF WORK, REMOVE ALL SURPLUS MATERIALS, EQUIPMENT AND DEBRIS AND LEAVE THE PREMISES IN A CLEAN CONDITION ACCEPTABLE TO THE OWNER OR OWNER'S REPRESENTATIVE.
6. SITE CONTRACTOR WILL PROVIDE THE INSTALLATION MATERIAL SUCH AS PVC, AGGREGATE, REBAR, TIES, FRAMING, CONCRETE, CHAIRS, OFFSETS, ETC. REBAR SHALL CONFORM TO ASTM A615, GRADE 60.
7. THE EXCAVATION SHALL BE KEPT DRY AT ALL TIMES, PUMPING WATER IF NECESSARY.
8. BARRIER SHALL BE SET AND ADJUSTED WITH THE LEVELLING FEET SO THAT THE TOP PLATES ARE LEVEL AND PLUMB WITH THE DRIVING SURFACE OF THE ROADWAY.
9. CONSTRUCTION JOINTS ARE NOT ALLOWED ON ROAD GRADE SURFACE. IF JOINTS ARE USED ELSEWHERE, THEY SHALL BE APPROVED AND CLEANED OF SURFACE LAITANCE, CURING COMPOUND, AND OTHER FOREIGN MATERIALS BEFORE FRESH CONCRETE IS PLACED AGAINST THE SURFACE OF THE JOINT.
10. AGGREGATES SHALL CONFORM TO ASTM C33. MAXIMUM AGGREGATE SIZE SHOULD BE 1.5".
12. CONCRETE SHALL BE CONVEYED FROM THE MIXER TO FINAL DEPOSIT BY METHODS THAT WILL PREVENT SEPARATION OR LOSS OF MATERIAL.
12. CONCRETE SHALL BE MAINTAINED ABOVE 50°F, AND ADEQUATE EQUIPMENT SHALL BE PROVIDED.
13. CONCRETE SHALL BE TESTED PORTLAND CEMENT CONFORMING TO ASTM C150, TYPE I.
14. CONCRETE SHALL HAVE AT LEAST 5000 PSI AT 28 DAYS. ENSURE THAT ALL AREAS HAVE BEEN FILLED AND VIBRATED TO FILL ALL VOIDS.
15. BACKFILLING SHALL BE DONE BY LAYERING AND TAMPING INTO PLACE CRUSHED LIMESTONE BASE MATERIAL TO 95% COMPACTION.



SUMMARY OF PROVIDED MATERIAL		
Item	DESCRIPTION	QTY.
1	XT-2000-WB HEALD "VIPER" WEDGE BARRIER M50PI CRASH RATING	1
2	xx	
3	xx	
4	xx	
5	xx	
6	xx	
7	xx	
8	xx	
9	xx	
10	xx	

THIS DOCUMENT IS THE COPYRIGHT OF HEALD LTD AND MAY NOT BE REPRODUCED IN PART OR IN WHOLE FOR ANY PURPOSE OTHER THAN THAT FOR WHICH IT IS SUPPLIED, WITHOUT THE WRITTEN PERMISSION OF HEALD LTD.

DESIGN COPYRIGHT HEALD LIMITED 1985. HEALD HT1-VIPER MANUFACTURED BY ROSS SECURITY SYSTEMS, LLC UNDER LICENCE FROM HEALD LIMITED.

SITE MATERIAL REQUIRED BY BUILDER		
Item	DESCRIPTION	QTY.
A	#10 REBAR, FRONT OF BARRIER	2
B	#10 REBAR, SIDE OF BARRIER	8
C	5000 PSI CONCRETE	5 CY
D	xx	
E	xx	
F	xx	
G	xx	
H	xx	
i	xx	
J	xx	

PLEASE NOTE
REFER TO DATA SHEET(S) FOR FULL EQUIPMENT SPECIFICATION DETAILS.
INFORMATION ON THIS DRAWING IS FOR GUIDANCE ONLY AND NOT SITE SPECIFIC.
DIMENSIONS IN [] ARE IN MILLIMETERS.



ROSS Technology Corp.
Leola, PA USA

Title VIPER WEDGE BARRIER INSTALLATION PLAN				
Project Number				
Drawn TJM	Checked TJM	Date 1/24/2014	Scale NTS	
Dwg no. XT-2000-W	Sheet 2 of 3			