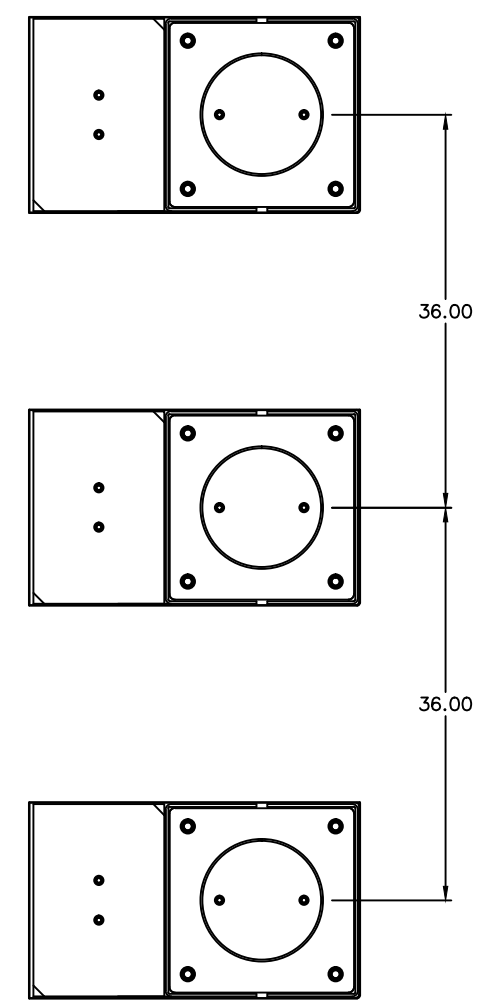


VIEW A - A
SUB-ASSY. OF ITEMS 2, 3 AND 4
WITH BOLLARD FULLY EXTENDED

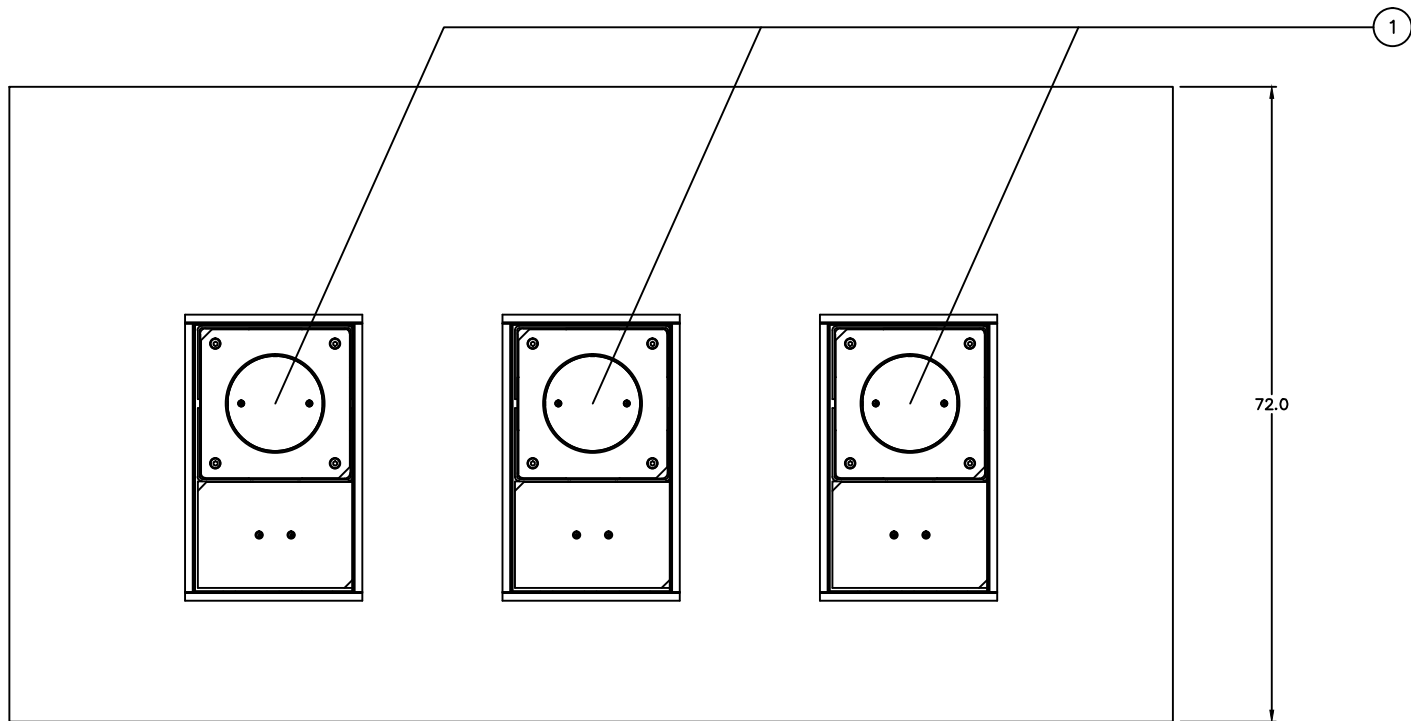
DIRECTION OF TRAVEL



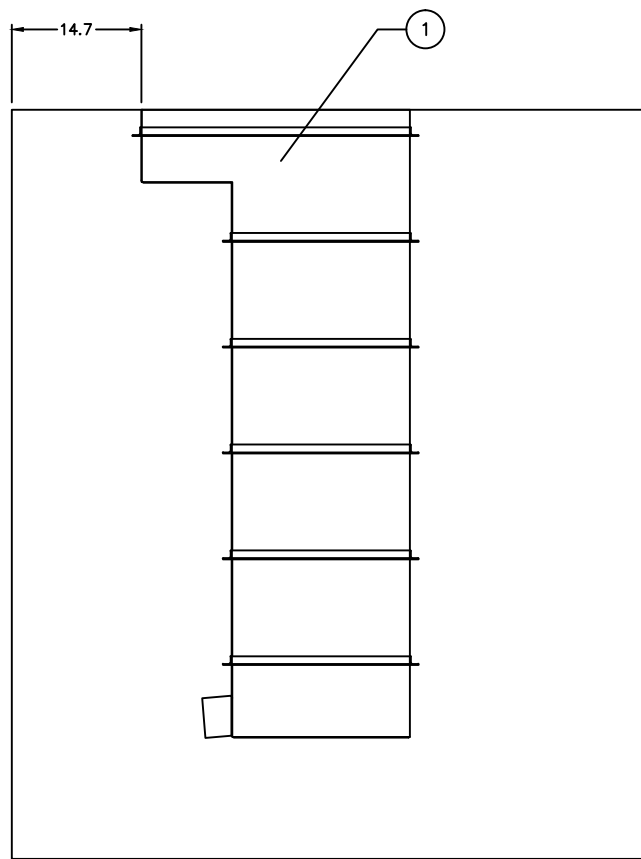
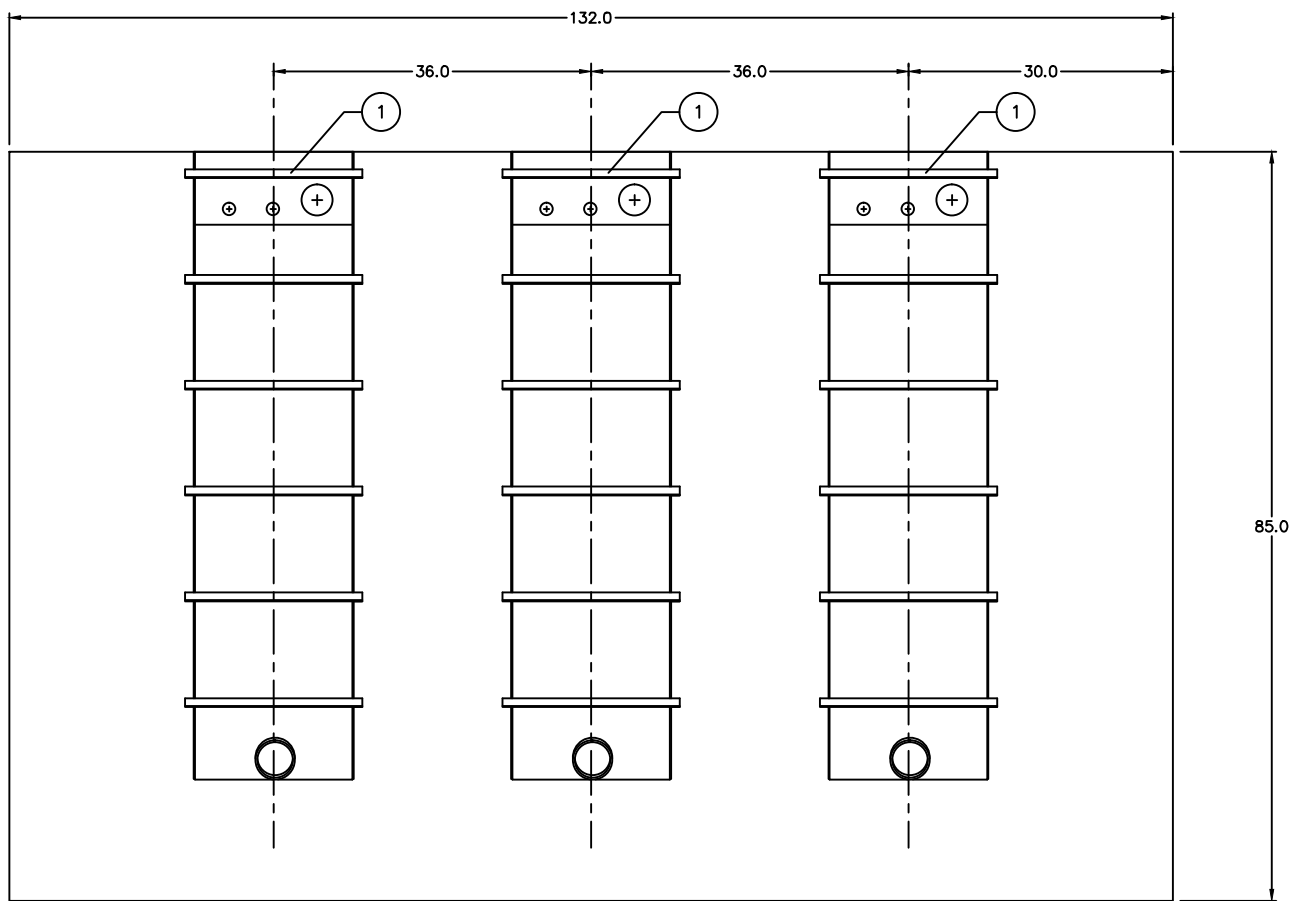
3-BOLLARD ARRAY

ITEM	QTY.	PART-NO.	DESCRIPTION	WT.	TOTAL WT.
4	1		BOLLARD HYDRAULIC CYLINDER SUB-ASSY.	85	2016
3	1		BOLLARD WELDMENT / SUB-ASSY.	598	
2	1		SECONDARY CASING SUB-WELDMENT / SUB-ASSY.	1054	
1	1		PRIMARY CASING ASSY.	279	

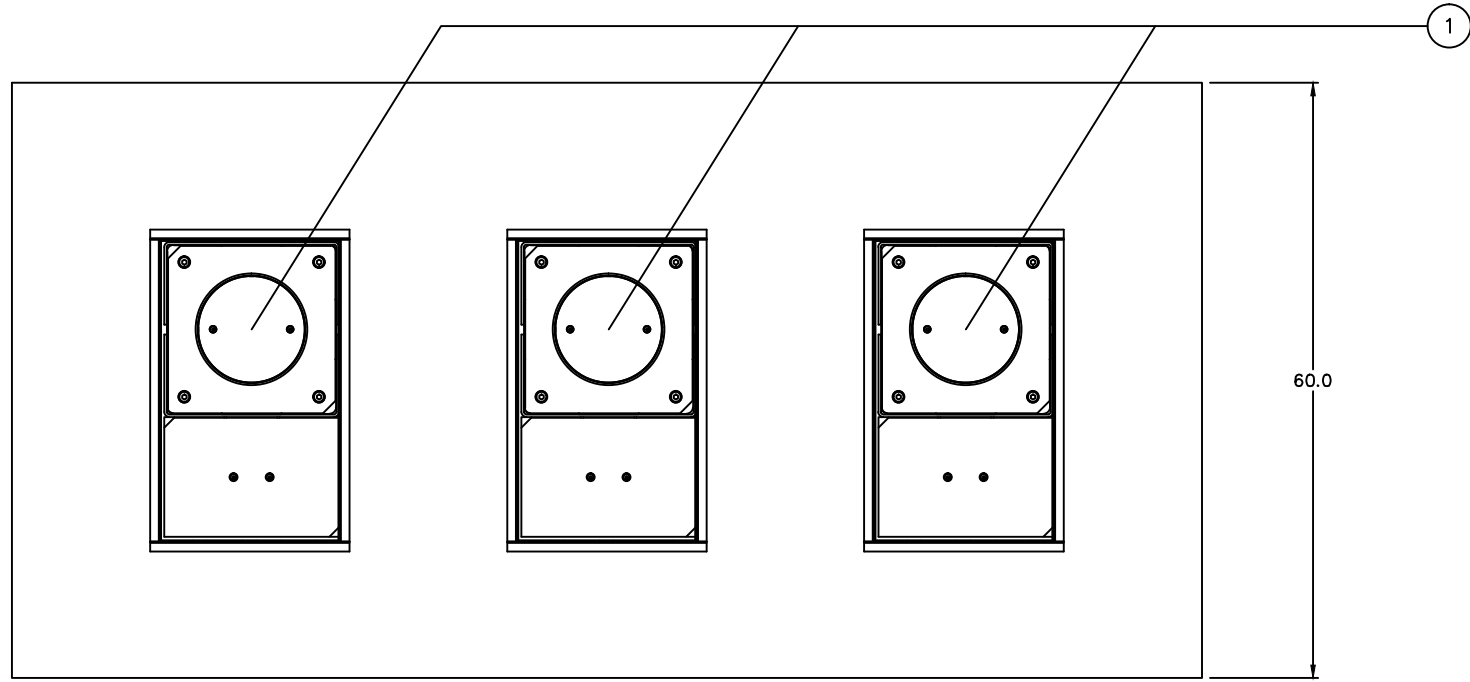
TOLERANCES ANGULAR (DEG/MIN) ± 0°30' LINEAR (FRAC) ± 1/16 LINEAR (DEC) .X ± .06 .XX ± .03 .XXX ± .015			SCALE NONE	ROSS TECHNOLOGY CORP. SECURITY SYSTEMS LEOLA, PA. 17540	
DRAWN BY DATE	CHKD BY DATE	CNC NO. DISK #	TITLE XT-1200/1208 BOLLARD ASSEMBLY	CUSTOMER ROSS	W.O #
			DWG. NO. XT-1200-1208 DETAILS	REV -	



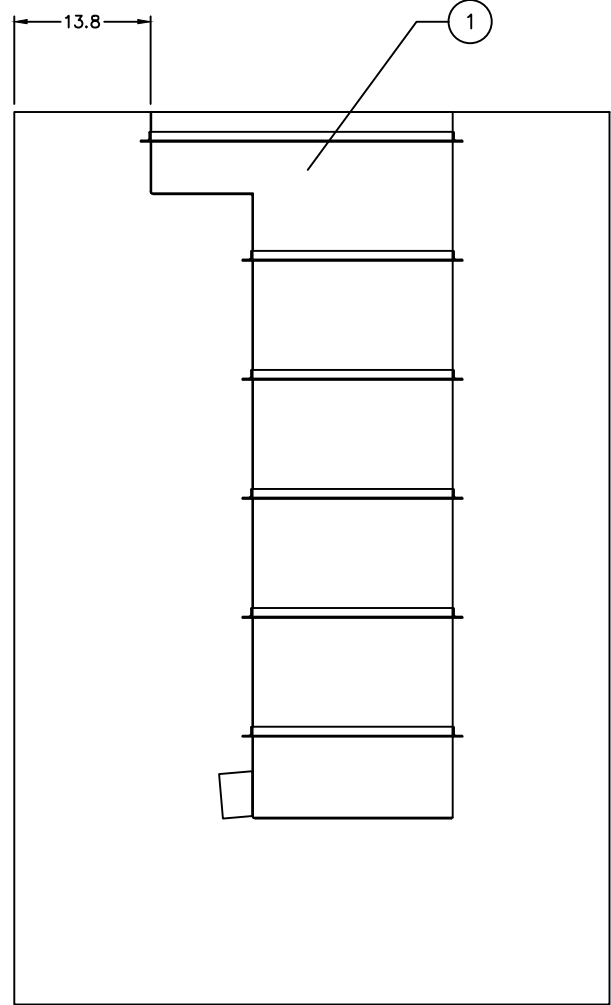
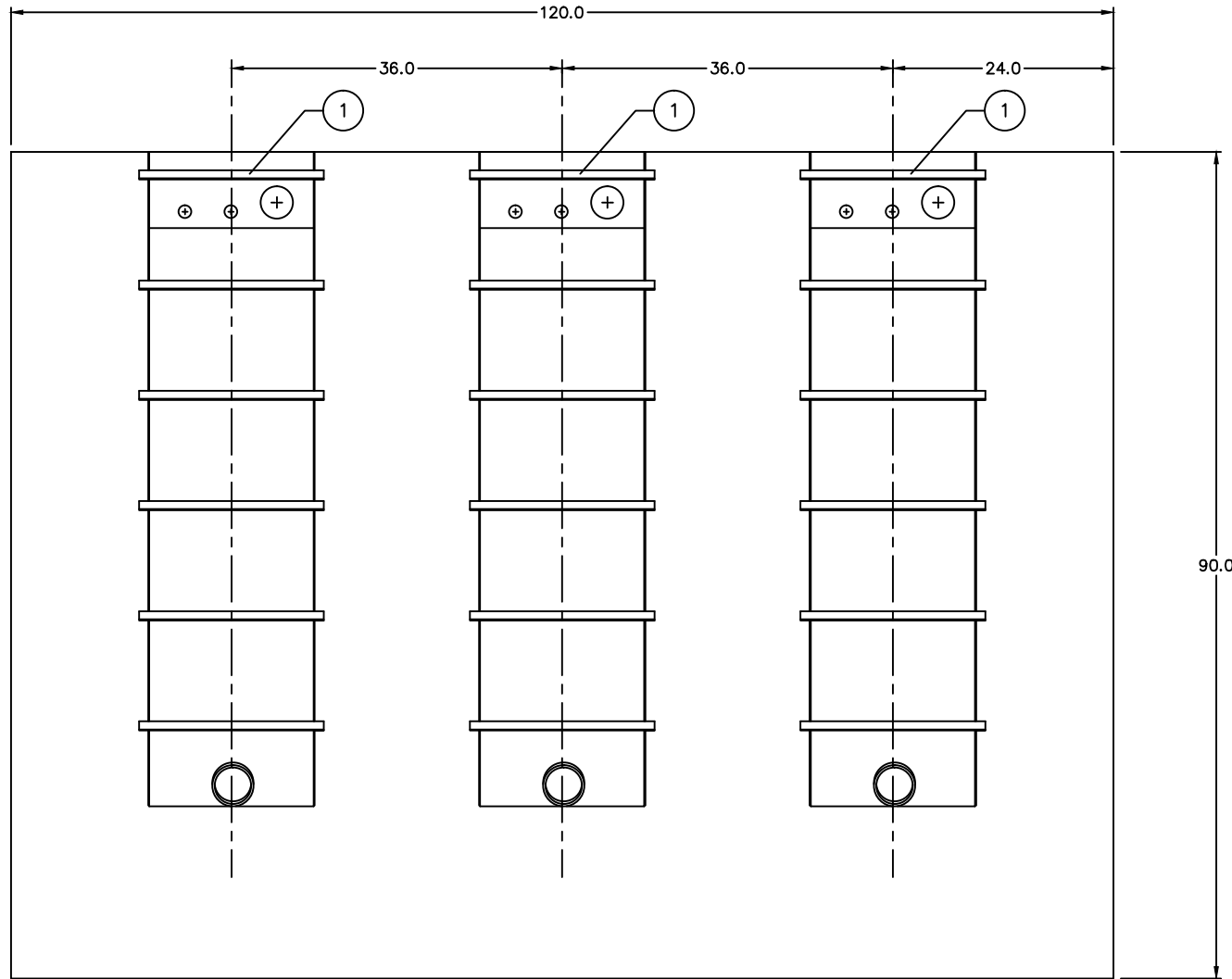
NOTE: REBAR NOT SHOWN



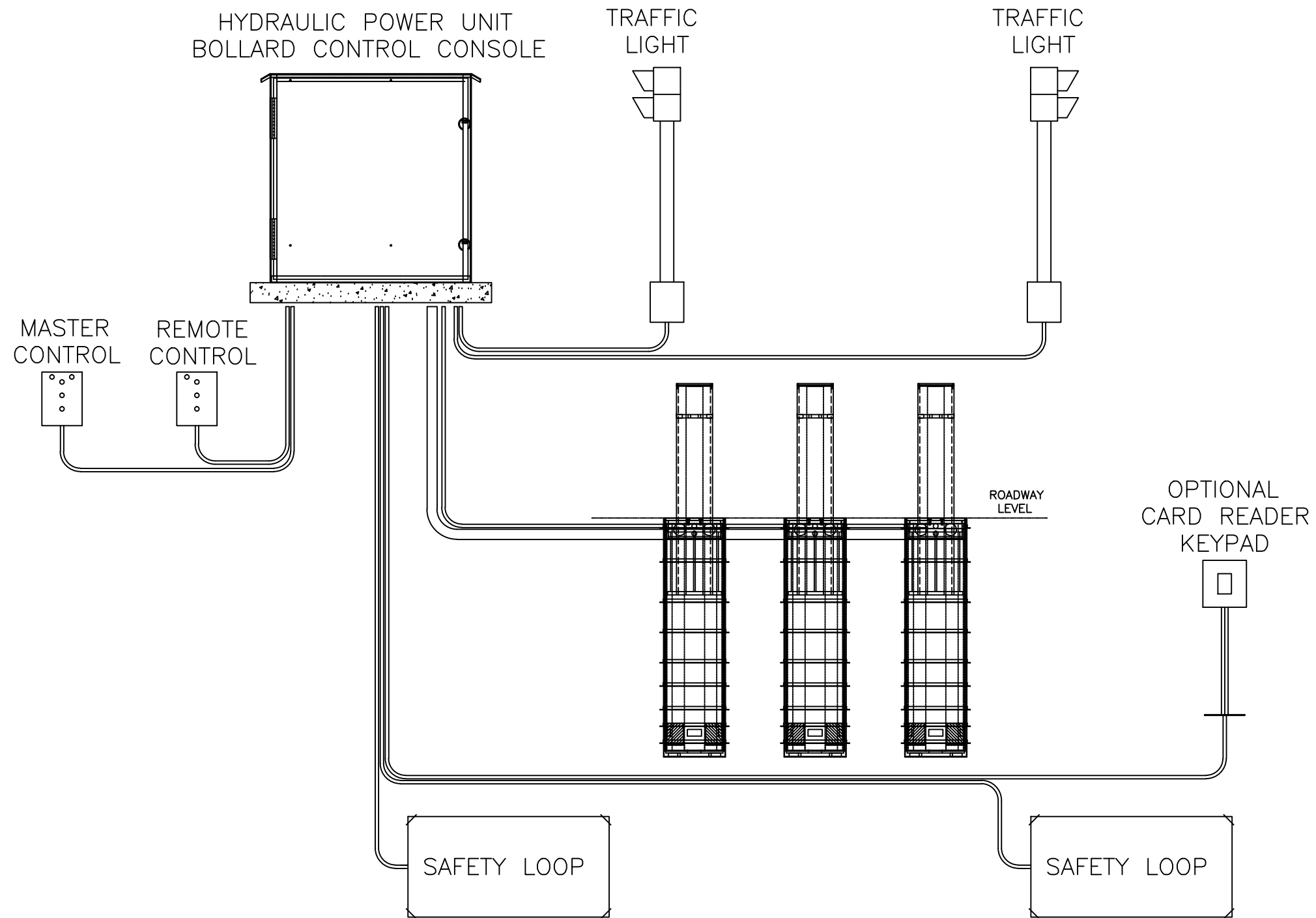
1	3		K12 BOLLARD ASSY.	6048
ITEM	QTY.	PART-NO.	DESCRIPTION	WT.
			SCALE NONE	ROSS TECHNOLOGY CORP. PERIMETER SECURITY LEOLA, PA. 17540
			ANGULAR (DEG/MIN) ± 0°30' LINEAR (FRAC) ± 1/16 LINEAR (DEC) .X ± .06 .XX ± .03 .XXX ± .015	
			CUSTOMER ROSS	W.O #
DRAWN BY	CHKD BY	CNC NO.	TITLE K12 TRIPLE BOLLARD CONCRETE FOOTPRINT	
DATE	DATE	DISK #	DWG. NO. XT-1200 FOUNDATION	REV -



NOTE: REBAR NOT SHOWN



1	3		KOB BOLLARD ASSY.	5484
ITEM	QTY.	PART-NO.	DESCRIPTION	WT.
		SCALE	NONE	
TOLERANCES	ANGULAR (DEG/MIN)	± 0°30'		
	LINEAR (FRAC)	± 1/16		
	LINEAR (DEC)	.X ± .06		
		.XX ± .03		
		.XXX ± .015		
			ROSS TECHNOLOGY CORP.	
			PERIMETER SECURITY	
			LEOLA, PA. 17540	
DRAWN BY			CHKD BY	CNC NO.
DATE			DATE	DISK #
				FS(KOB BOLLARD)
TITLE			KOB TRIPLE BOLLARD CONCRETE FOOTPRINT	
DWG. NO.			XT-1208 FOUNDATION	REV
				-
CUSTOMER			ROSS	
			W.O #	



TYPICAL SYSTEM LAYOUT

			SCALE NONE		ROSS TECHNOLOGY CORP. PERIMETER SECURITY LEOLA, PA. 17540	
TOLERANCES	ANGULAR (DEG/MIN)	± 0°30'	CUSTOMER ROSS			
	LINEAR (FRAC)	± 1/16"				
	LINEAR (DEC)	.X ± .06 .XX ± .03 .XXX ± .015	TITLE SYSTEM DIAGRAM			
DRAWN BY	CHKD BY	CNC NO.	DWG. NO.	REV		
DATE	DATE	DISK #	XT-1200/08 DIAGRAM			