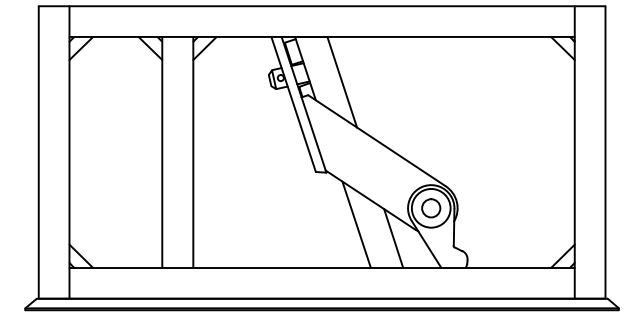
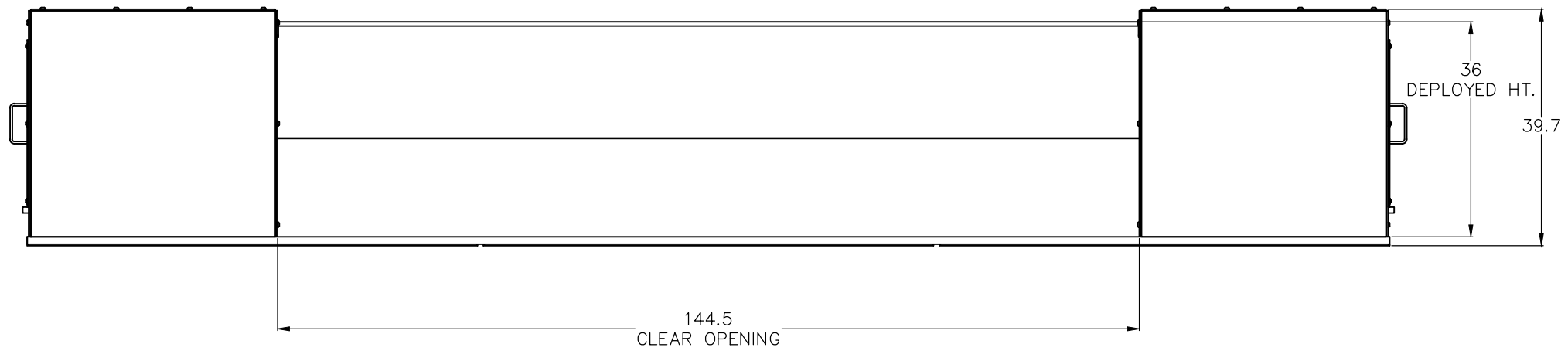
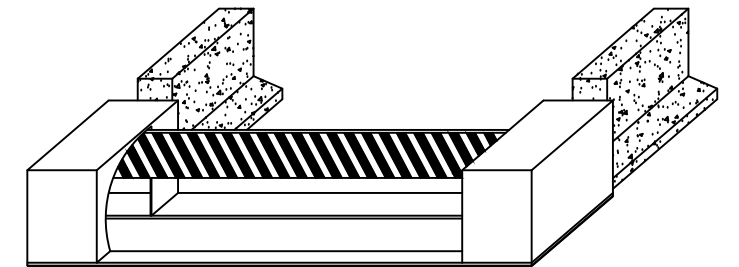


ALL DIMENSIONS IN INCHES



SIDE VIEW
WITH COVERS REMOVED;
NOT ALL COMPONENTS SHOWN



JERSEY BARRIERS SHOWN;
REQUIRED FOR CRASH RATING

| | | | | | | |
|------------|-------------------|--------------------------------------|-----------------------------|--|---|--|
| | | | SCALE NONE | | ROSS TECHNOLOGY CORP. PERIMETER SECURITY LEOLA, PA. 17540 | |
| TOLERANCES | ANGULAR (DEG/MIN) | ± 0'30" | CUSTOMER ROSS | | | |
| | LINEAR (FRAC) | ± 1/16 | | | | |
| | LINEAR (DEC) | .X ± .06 .XX ± .03 .XXX ± .015 | TITLE XS-2000 LAYOUT | | | |
| DRAWN BY | CHKD BY | CNC NO. | DWG. NO. XS-2000 DETAILS | | REV - | |