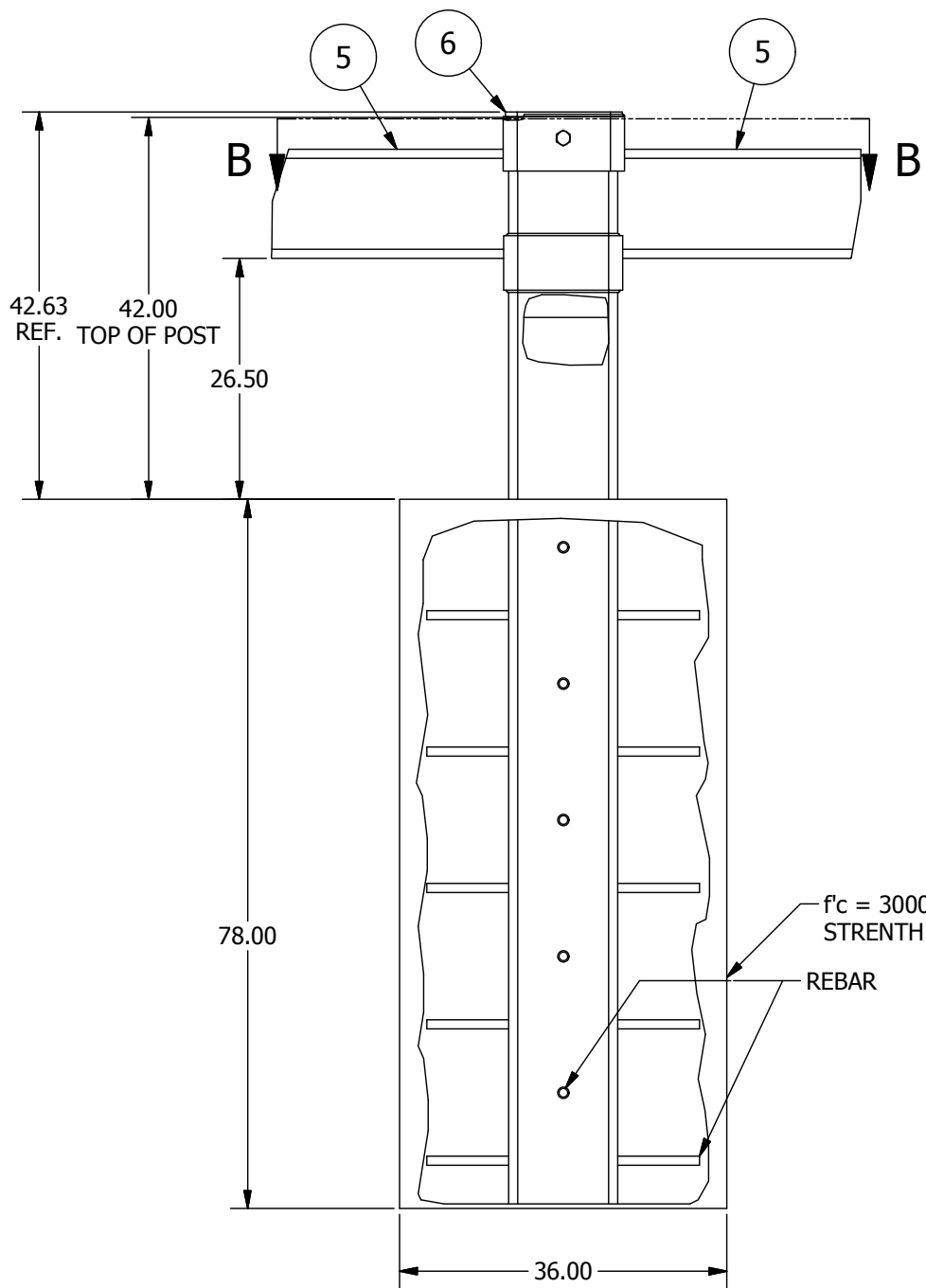


U.S. PAT NO'S 9,347,191 AND 9,435,088  
GCC PATENT APP. NO. GC 2014-28238

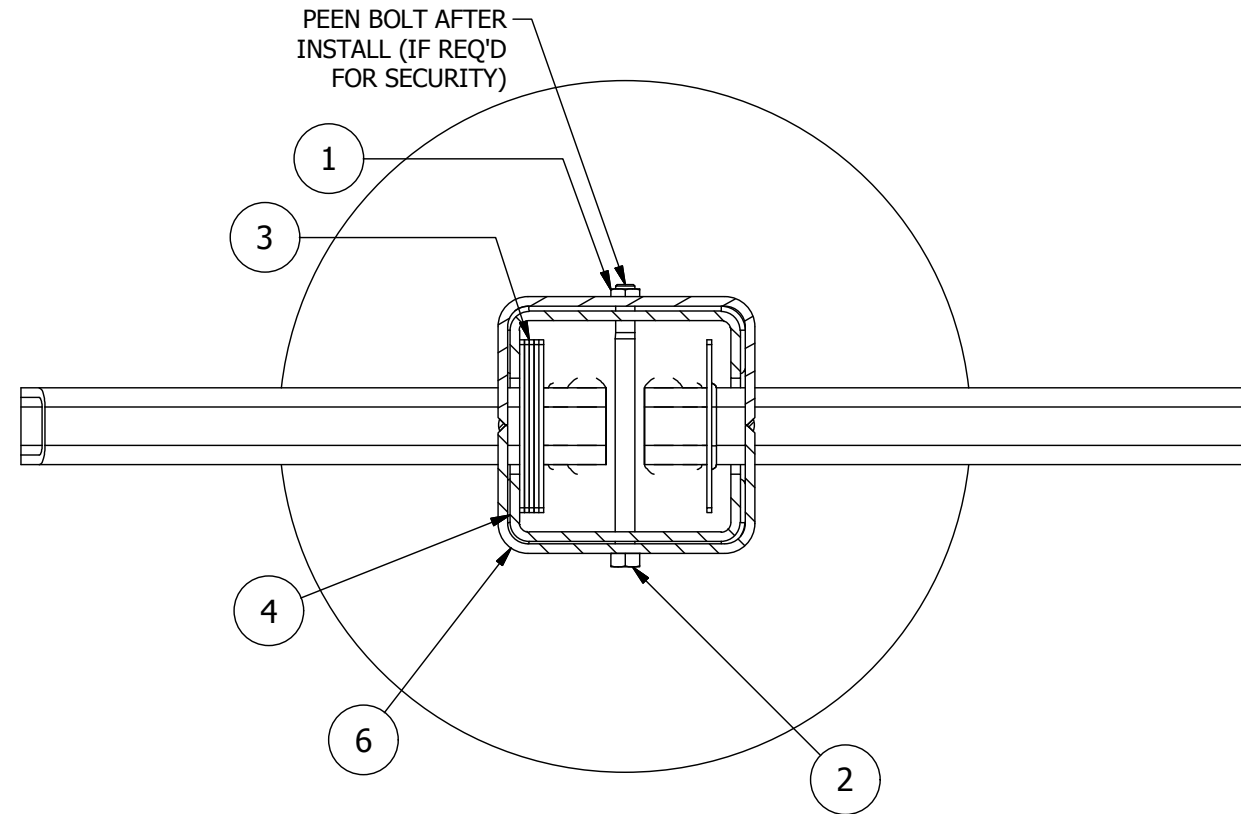
ITEM	QTY	PART NUMBER	DESCRIPTION	WT
7	2	RSS-F501D-400	END POST COVER WELDMENT	20
6	4	RSS-F501D-300	TOP CAP ASSY	240
5	3	RSS-F501D-200	BEAM ASSY	4659
4	4	RSS-F501D-100	END POST ASSY	3912
3	30	RSS-F501D-099	SHIM PLATE - 01, BEAM ASSY	180
2	4	92046	1.00-8 X 14" LG. HEX BOLT, HDG, GRADE A, ASTM A307	16
1	4	0189542	1.00-8 FLAT JAM NUT, HDG, GRADE A, ASTM A563	1

PARTS LIST				
DRAWN		TJM	2/20/2014	
APPROVED		<b>ROSS Technology Corp.</b> LEOLA, PA USA		
TOLERANCES				
ANGULAR (DEG/MIN)	± 0'30'	DESCRIPTION		
LINEAR (FRAC)	± 1/16	TUBE FENCE, 30FT SECTIONS		
LINEAR (DEC)	.x ± .13	CUSTOMER		
	.xx ± .06	ROSS		
	.xxx ± .031	SIZE	WO#	DWG/PART NO
		B	TBD	RSS-F501D-000
		SCALE	SHEET	REV
			1 OF 2	B



DETAIL A  
SCALE 1:20

U.S. PAT NO'S 9,347,191 AND 9,435,088  
GCC PATENT APP. NO. GC 2014-28238



SECTION B-B  
SCALE 1:10

DRAWN TJM 2/20/2014		<b>ROSS Technology Corp.</b>		
APPROVED		LEOLA, PA USA		
TOLERANCES	ANGULAR (DEG/MIN)	± 0'30'	DESCRIPTION TUBE FENCE, 30FT SECTIONS	
	LINEAR (FRAC)	± 1/16	CUSTOMER ROSS	
	LINEAR (DEC)	.x ± .13	SIZE B	WO# TBD
		.xx ± .06	DWG/PART NO RSS-F501D-000	
	.xxx ± .031	SCALE	SHEET 2 OF 2	REV B