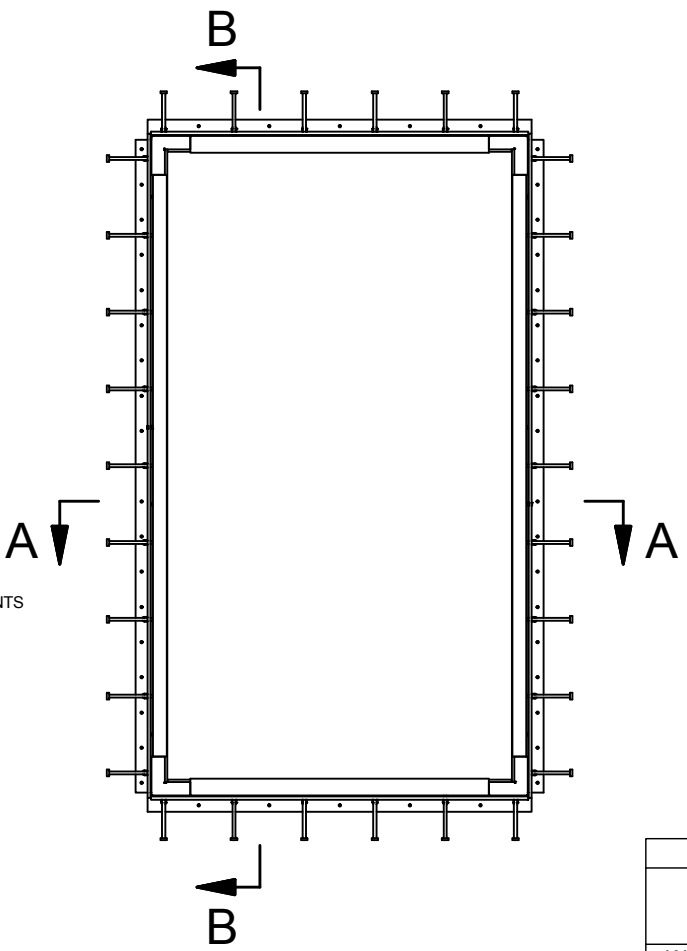
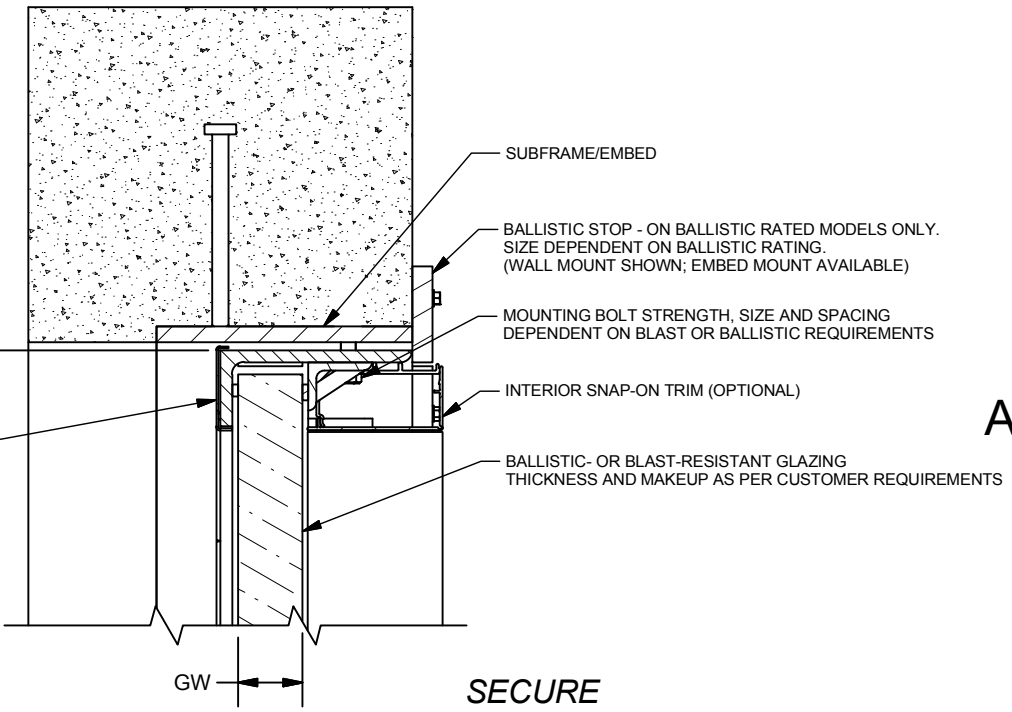


ROSS Technology Corp.

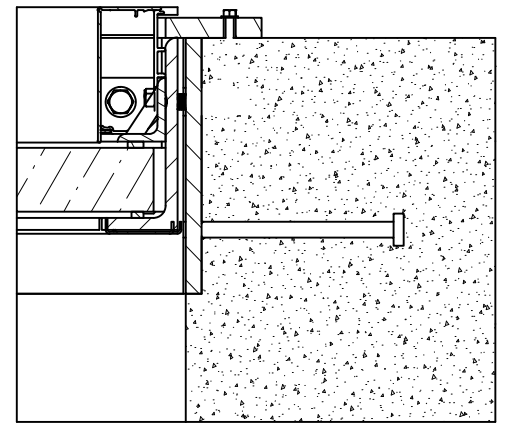
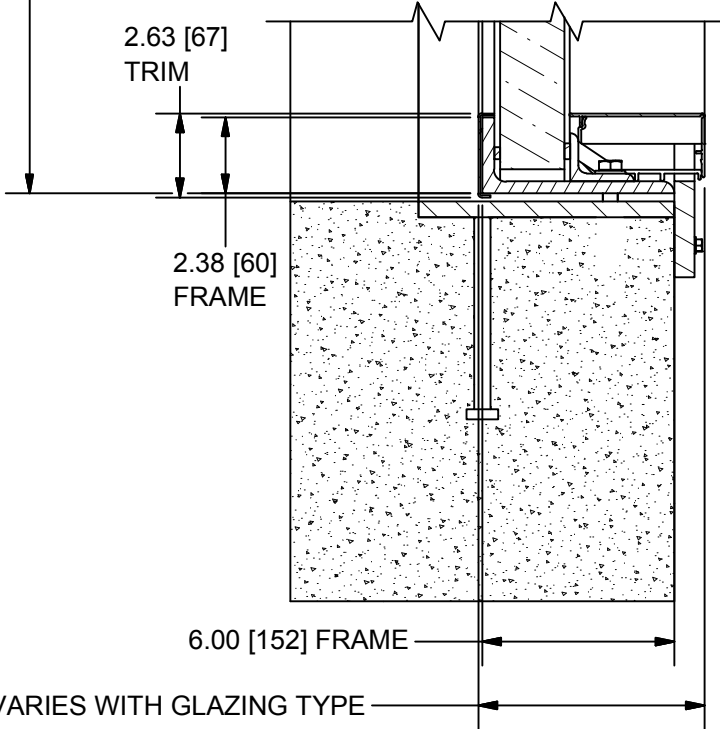
Box 646, 104 N. Maple Ave.
Leola, PA 17540
P: 01.717.656.2200 F: 01.717.656.3281

NOTE: WINDOW SHOWN RECESSED INTO WALL. WINDOW CAN BE MOUNTED WITH FACE OF FRAME FLUSH WITH EXTERIOR OF WALL.



NOTES:
- SEALANT NOT SHOWN. CONSULT ROSS FOR SEALING PROCEDURES.
- FRAME BOLT SIZE AND SPACING PER TESTED/CERTIFIED DESIGN AND/OR BLAST REQUIREMENTS.
- PLATE SUBFRAME SHOWN, TUBE SUBFRAMES AND OTHER MOUNTING OPTIONS AVAILABLE.
- STANDARD INTERIOR AND EXTERIOR TRIM SHOWN, OTHER OPTIONS AVAILABLE.
- GLAZING SIZES ARE FOR REFERENCE ONLY AND MAY NOT BE REPRESENTATIVE OF FINISHED PRODUCT.

GLAZING OPTIONS		
MODEL	BALLISTIC RATING	TYP. GLAZING WIDTH (GW)
WSFV-N-BU5	UL 752 LEVEL 5	1.24"
WSFV-N-BU8	UL 752 LEVEL 8	2.35"
WSFV-N-BN3	NIJ III	1.34"
WSFV-N-B39	7.62 X 39	VARIES
WSFV-N-B50	.50 BALL/12.7 B32 API	4.03"
WSFV-N-EX	N/A - BLAST ONLY	VARIES



HEADER/SILL SECTION

JAMB SECTION

ABBREVIATIONS

CUST. = CUSTOMER
F.F. = FINISHED FRAME
LOC. = LOCATION
P.O. = PURCHASE ORDER
R.O. = ROUGH OPENING
W.O. = WORK ORDER
C.O. = CLEAR OPENING
EXT. = EXTERIOR
INT. = INTERIOR
No. = NUMBER
QTY. = QUANTITY
V.O. = VISION OPENING
D.O. = DOOR OPENING

DRAWING TITLE
**WSFV-N
BLAST-BALLISTIC
STEEL WINDOW
CAD DETAILS**

DATE 2/19/2015	SCALE
SHEET NUMBER 1	REVISION

DRAWING NUMBER
WSFV-N CAD