

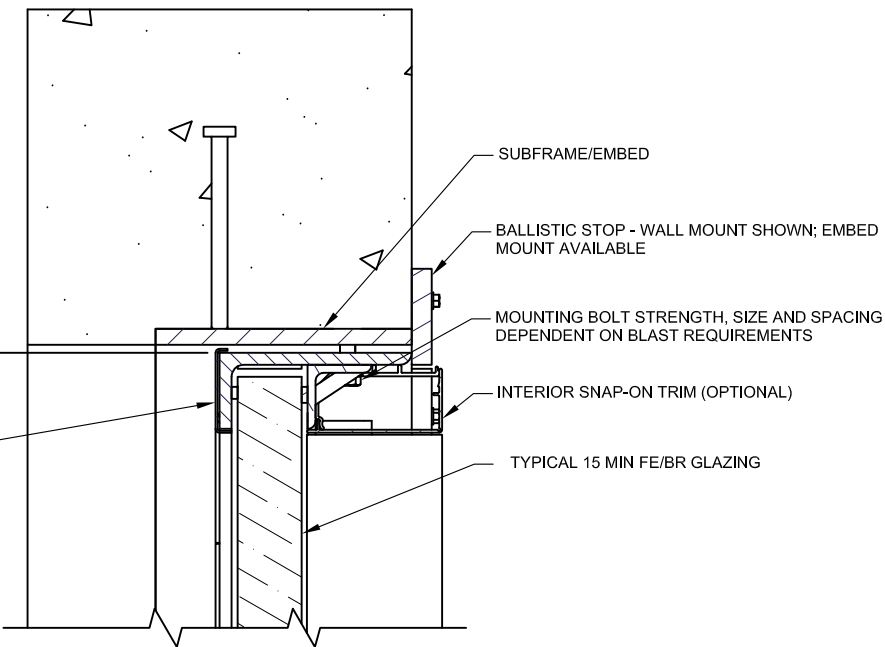
4

3

2

1

NOTE: WINDOW SHOWN RECESSED INTO WALL. WINDOW CAN BE MOUNTED WITH FACE OF FRAME FLUSH WITH EXTERIOR OF WALL.



[2612] ATTACK SIDE

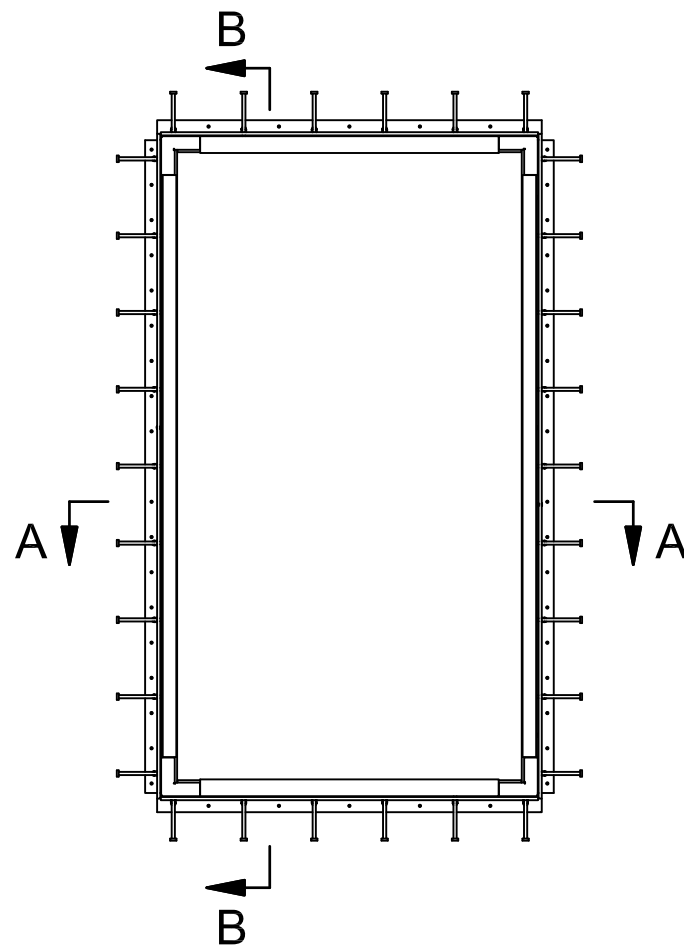
SECURE SIDE

2.63 [67] TRIM

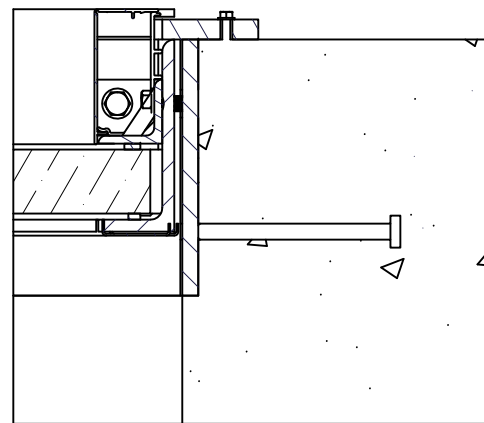
2.38 [60] FRAME

6.00 [152] FRAME

HEADER/SILL SECTION 5X SCALE



NOTES:
 - SEALANT NOT SHOWN. CONSULT ROSS FOR SEALING PROCEDURES.
 - FRAME BOLT SIZE AND SPACING PER TESTED/CERTIFIED DESIGN AND/OR BLAST REQUIREMENTS.
 - PLATE SUBFRAME SHOWN, TUBE SUBFRAMES AND OTHER MOUNTING OPTIONS AVAILABLE.
 - STANDARD INTERIOR AND EXTERIOR TRIM SHOWN, OTHER OPTIONS AVAILABLE.
 - STANDARD 15 MINUTE FE/BR GLAZING SHOWN, OTHER OPTIONS AVAILABLE.



JAMB SECTION 5X SCALE

ROSS Technology Corp.

Box 646, 104 N. Maple Ave.
Leola, PA 17540
P: 01.717.656.2200 F: 01.717.656.3281

ABBREVIATIONS

CUST. = CUSTOMER	EXT. = EXTERIOR
F.F. = FINISHED FRAME	INT. = INTERIOR
LOC. = LOCATION	No. = NUMBER
P.O. = PURCHASE ORDER	QTY. = QUANTITY
R.O. = ROUGH OPENING	V.O. = VISION OPENING
W.O. = WORK ORDER	D.O. = DOOR OPENING
C.O. = CLEAR OPENING	

DRAWING TITLE

WSFV-15R 15 MINUTE FE/BR STEEL WINDOW CAD DETAILS

DATE 2/19/2015	SCALE
SHEET NUMBER 1	REVISION

DRAWING NUMBER
WSFV-15R CAD