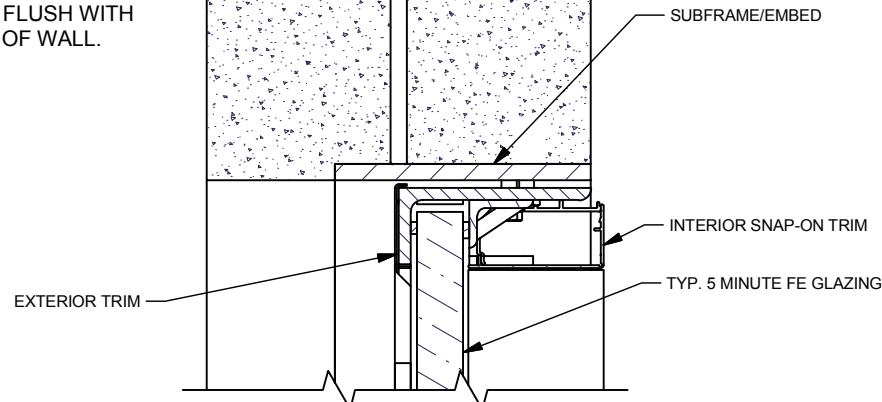
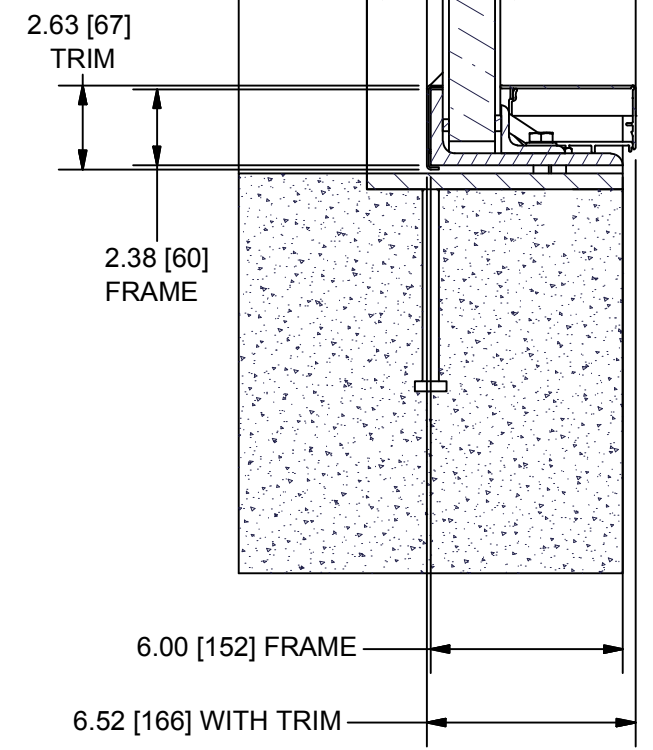


NOTE: WINDOW SHOWN RECESSED INTO WALL. WINDOW CAN BE MOUNTED WITH FACE OF FRAME FLUSH WITH EXTERIOR OF WALL.

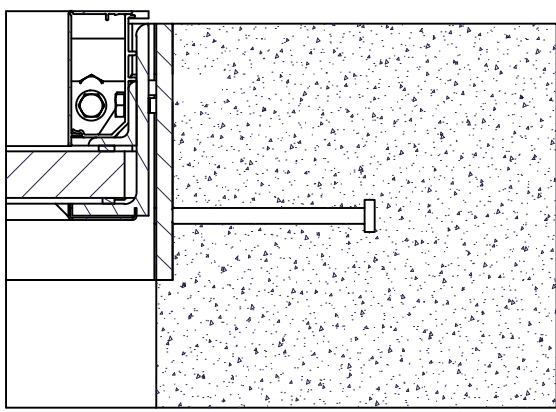
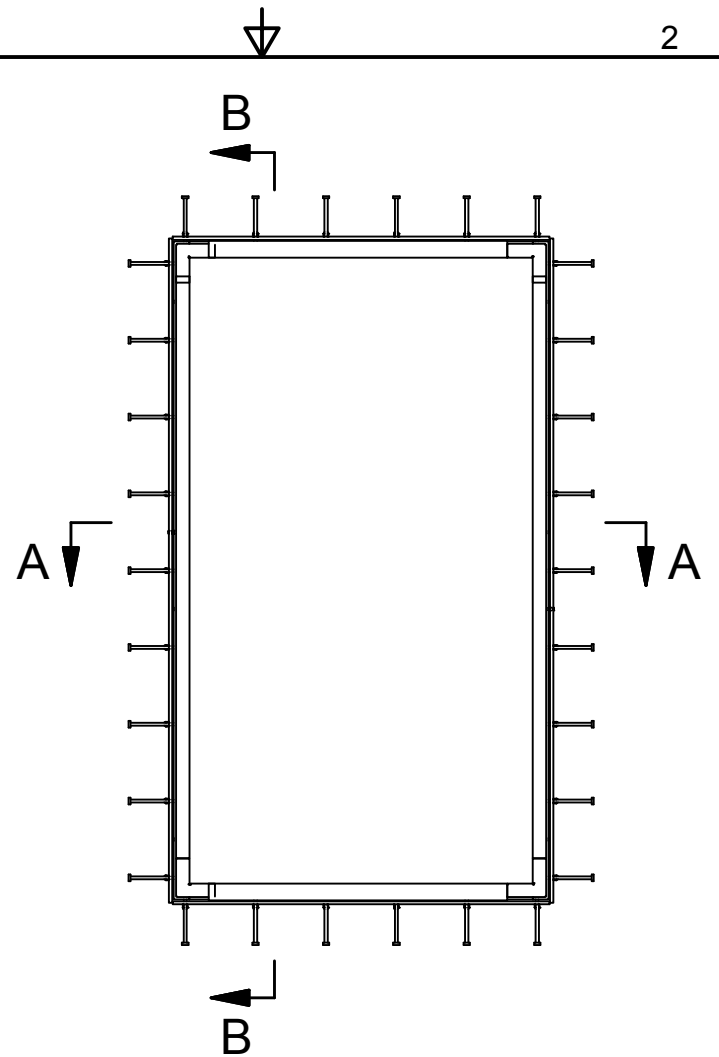


ATTACK SIDE

SECURE SIDE



HEADER/SILL SECTION



JAMB SECTION

NOTES:  
 - SEALANT NOT SHOWN. CONSULT ROSS FOR SEALING PROCEDURES.  
 - FRAME BOLT SIZE AND SPACING PER CERTIFIED DESIGN AND/OR BLAST REQUIREMENTS.  
 - PLATE SUBFRAME SHOWN, TUBE SUBFRAMES AND OTHER MOUNTING OPTIONS AVAILABLE.  
 - STANDARD 5 MINUTE FE GLAZING SHOWN, OTHER OPTIONS AVAILABLE.  
 - STANDARD INTERIOR AND EXTERIOR TRIM SHOWN, OTHER OPTIONS AVAILABLE.

ROSS Technology Corp.

Box 646, 104 N. Maple Ave.  
 Leola, PA 17540  
 P: 01.717.656.2200 F: 01.717.656.3281

ABBREVIATIONS

CUST. = CUSTOMER	EXT. = EXTERIOR
F.F. = FINISHED FRAME	INT. = INTERIOR
LOC. = LOCATION	No. = NUMBER
P.O. = PURCHASE ORDER	QTY. = QUANTITY
R.O. = ROUGH OPENING	V.O. = VISION OPENING
W.O. = WORK ORDER	D.O. = DOOR OPENING
C.O. = CLEAR OPENING	

DRAWING TITLE

WSFV-05 5 MINUTE FE  
 STEEL WINDOW  
 CAD DETAILS

DATE 2/24/2015	SCALE
SHEET NUMBER 1	REVISION

DRAWING NUMBER  
 WSFV-05 CAD