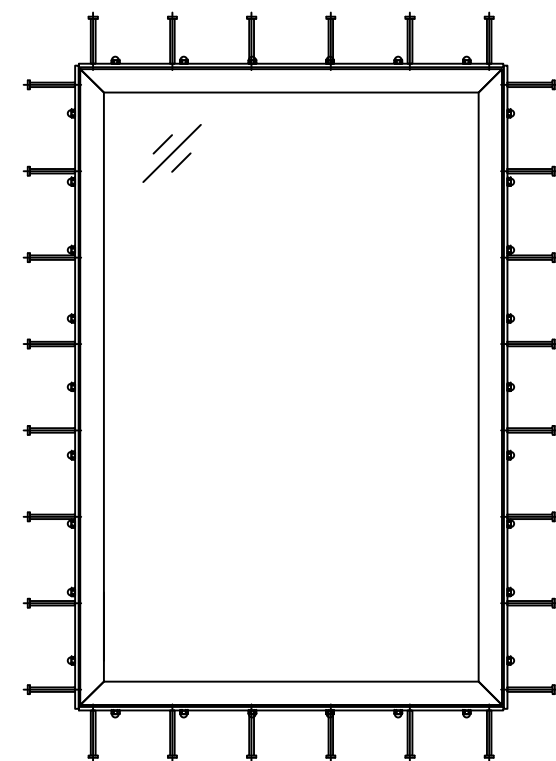
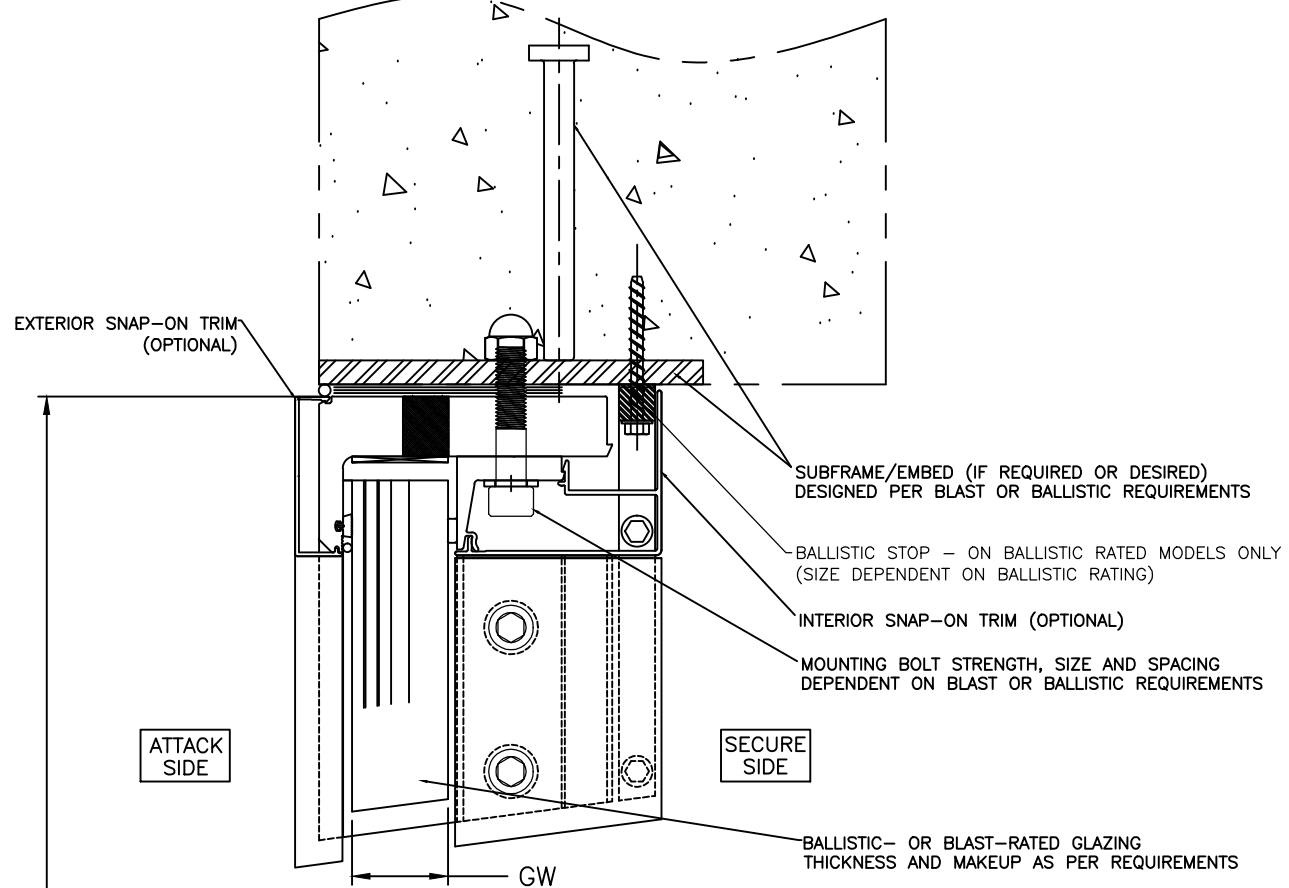
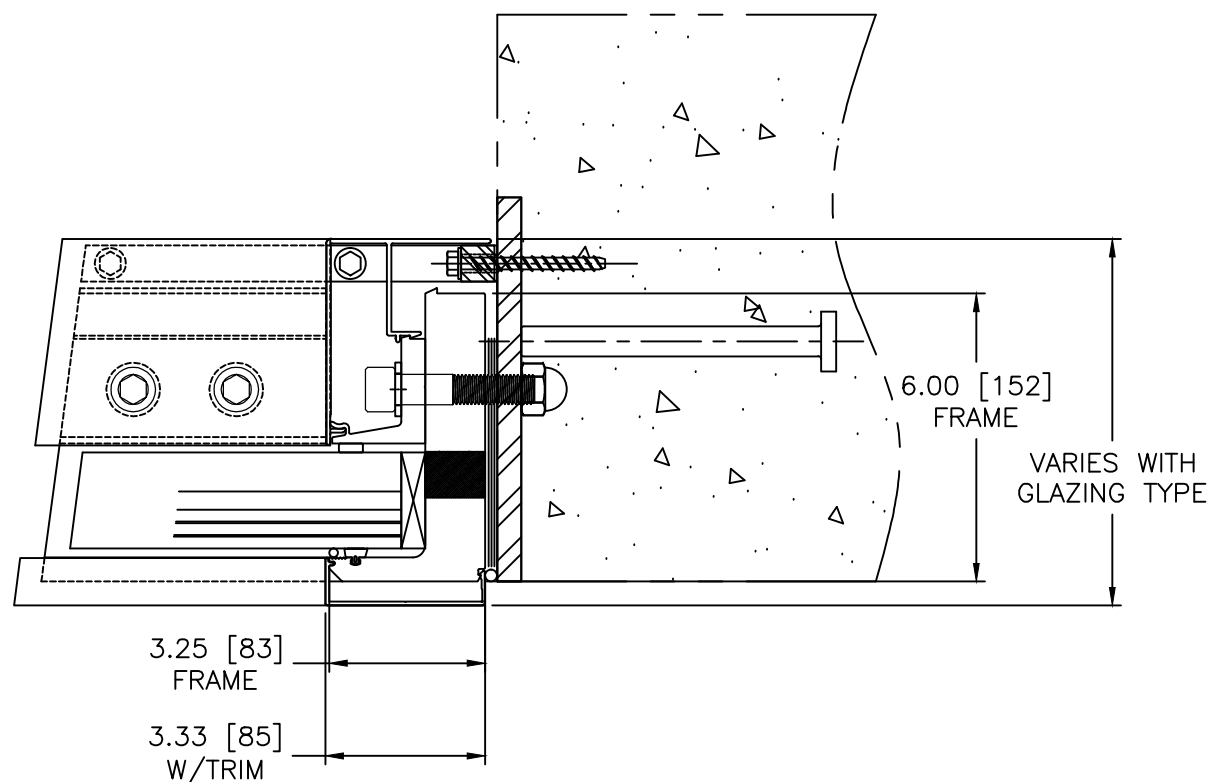
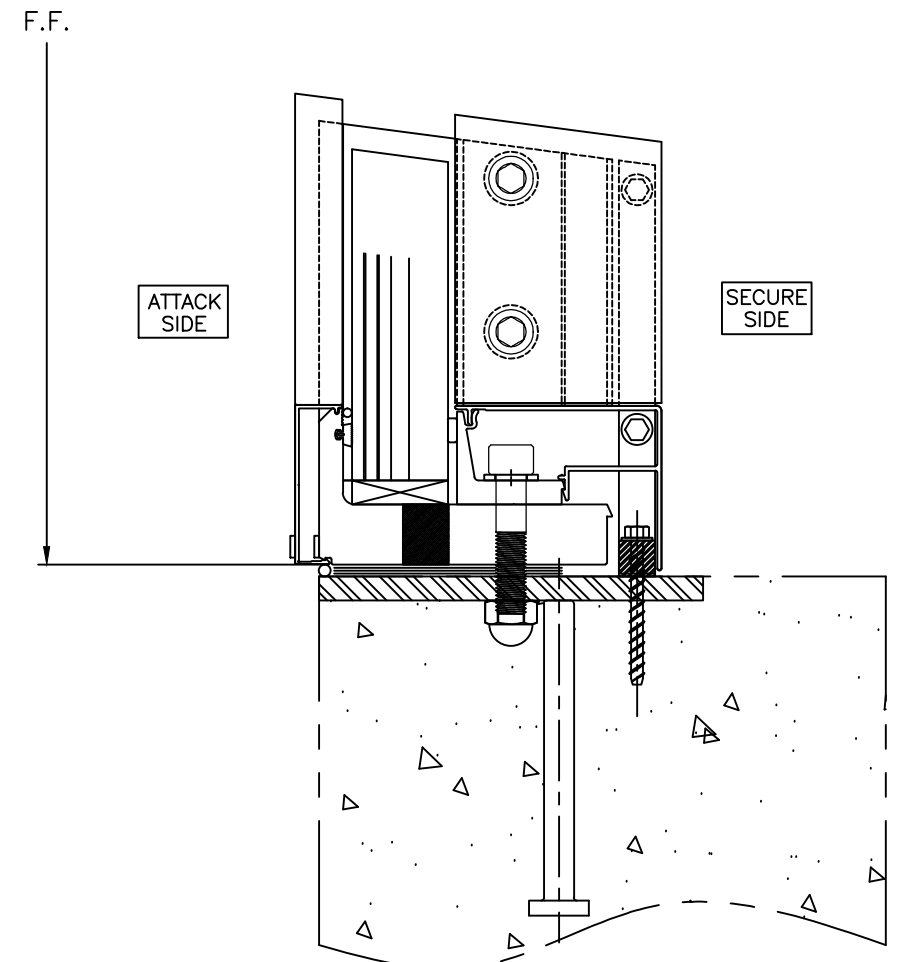


ROSS Technology Corp.
 Box 646, 104 N. Maple Ave
 Leola PA 17540
 P 717.656.2200 F 717.656.3281
 www.rosstechnology.com



- NOTES:
- SEALANT NOT SHOWN. CONSULT ROSS FOR SEALANT PROCEDURES.
 - FRAME BOLT SIZE AND SPACING AS PER CERTIFIED DESIGN.
 - PLATE SUBFRAME SHOWN, TUBE SUBFRAMES AND OTHER MOUNTING OPTIONS AVAILABLE.
 - STANDARD INTERIOR AND EXTERIOR TRIM SHOWN, OTHER OPTIONS AVAILABLE.
 - GLAZING SIZES ARE FOR REFERENCE ONLY AND MAY NOT BE REPRESENTATIVE OF FINISHED PRODUCT

GLAZING OPTIONS		
MODEL	BALLISTIC RATING	TYPICAL GLAZING WIDTH (GW) UNINSULATED
WAFV-N-BU5	UL 752 LEVEL 5	1.24"
WAFV-N-BU8	UL 752 LEVEL 8	2.35"
WAFV-N-BN3	NIJ III	1.34"
WAFV-N-B39	7.62 X 39	VARIES
WAFV-N-EX	N/A - BLAST ONLY	VARIES



ABBREVIATIONS

CUST. = CUSTOMER	EXT. = EXTERIOR
F.F. = FINISHED FRAME	INT. = INTERIOR
LOC. = LOCATION	No. = NUMBER
P.O. = PURCHASE ORDER	QTY. = QUANTITY
R.O. = ROUGH OPENING	V.O. = VISION OPENING
W.O. = WORK ORDER	D.O. = DOOR OPENING
C.O. = CLEAR OPENING	

DRAWING TITLE
 WAFV-N
 BLAST-BALLISTIC ALUM.
 CAD DETAILS

DATE	SCALE
SHEET NUMBER	REVISION

DRAWING NUMBER
 WAFV-N CAD