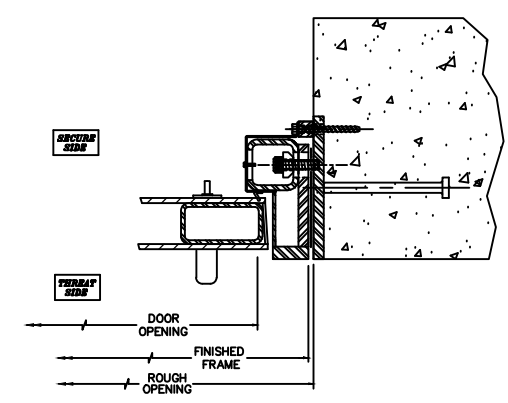
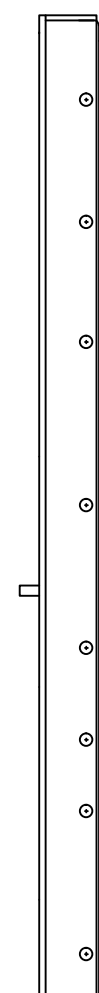
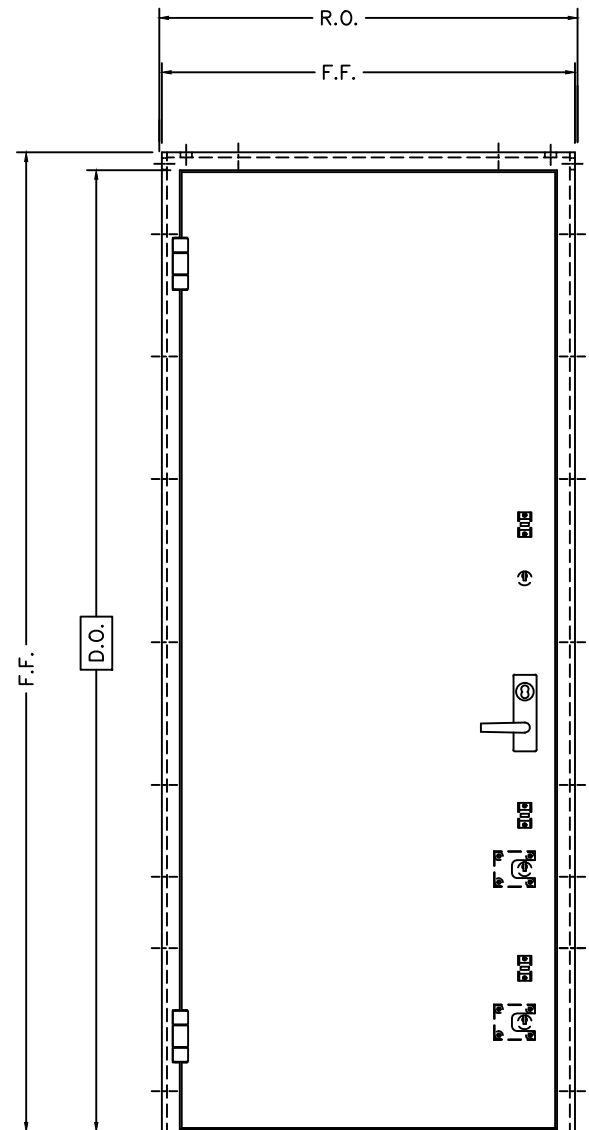


HORIZONTAL CLEAR OPENING



TYPICAL FRAME JAMB SECTION - WITH EMBED - 2X SCALE

HOP-2133 60 MINUTE FE/BR OPAQUE DOOR

- A.F.F. = ABOVE FINISHED FLOOR
- CUST. = CUSTOMER
- D.O. = DOOR OPENING
- EXT. = EXTERIOR
- F.F. = FINISHED FRAME
- INT. = INTERIOR
- LOC. = LOCATION
- No. = NUMBER
- PO. = PURCHASE ORDER
- QTY. = QUANTITY
- R.O. = ROUGH OPENING
- V.O. = VISION OPENING
- WO. = WORK ORDER

ROSS MODEL No. HOP-2133
DOS MODEL No. GDO-60R-ROS-01
GLAZING No. N/A

ITEM	QTY.	PART NO.	DESCRIPTION
3	1	60MIN OP 800	SUBFRAME ASSEMBLY
2	1	60MIN OP 200	L-FRAME ASSEMBLY AND WELD
1	1	60MIN OP 100	DOOR ASSEMBLY AND WELD

ROSS TECHNOLOGY CORP. ARCHITECTURAL SECURITY LEOLA, PA. 17540			CUSTOMER		W.O #
			DRAWN BY		CHKD BY
DATE		DATE	DISK #	TITLE HOP-2133 60 MIN. FE/BR / OPAQUE SINGLE DOOR	
DATE			DATE	DISK #	REV
DATE			DATE	DISK #	REV