

T-FRAME ASSEMBLY SHOWN;
L-FRAME ALSO AVAILABLE.

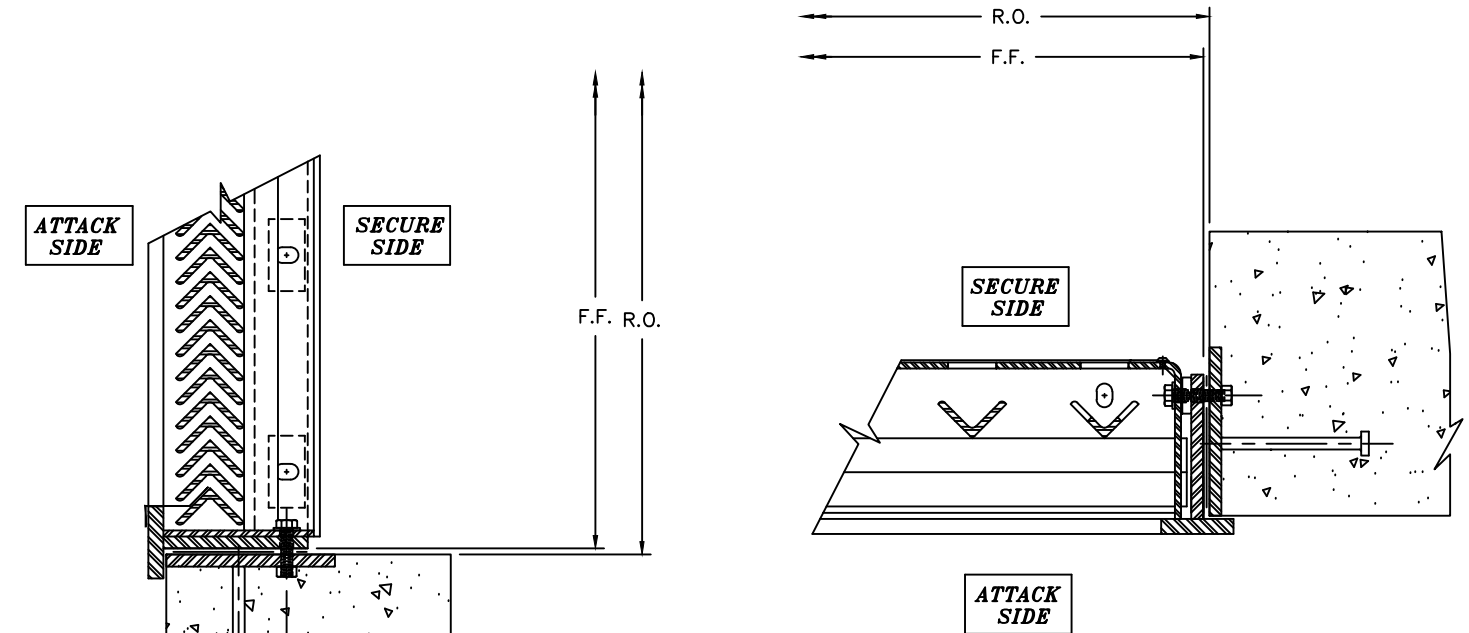
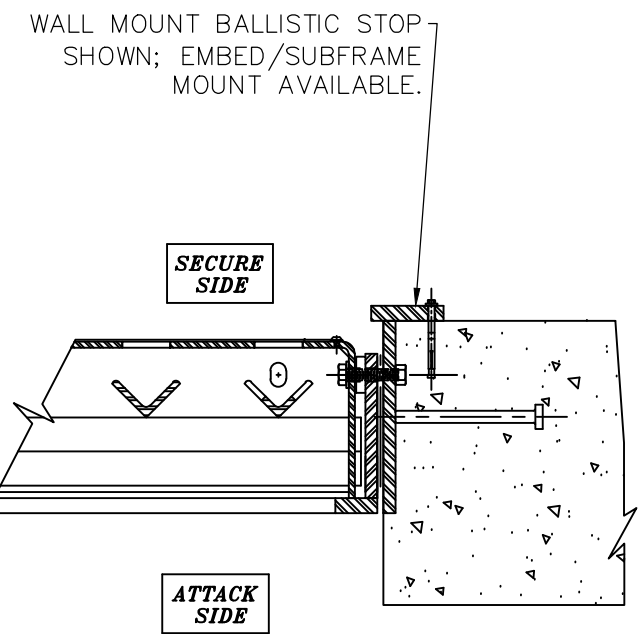
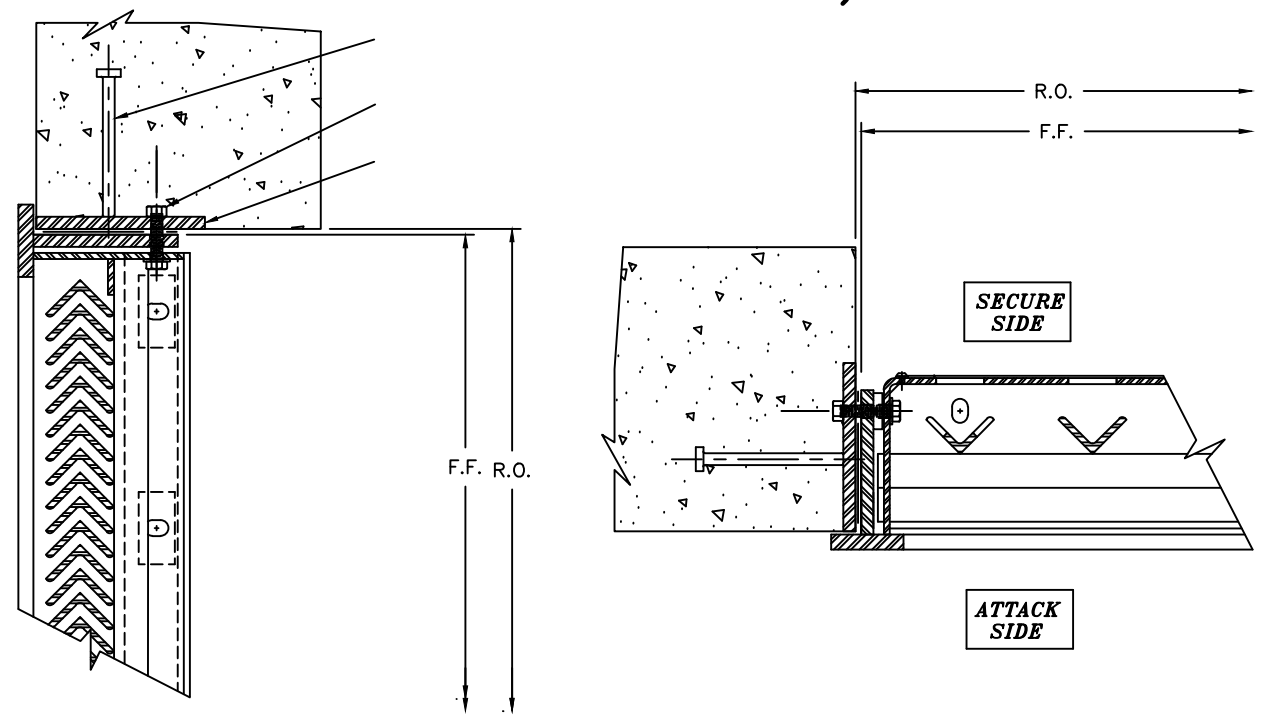
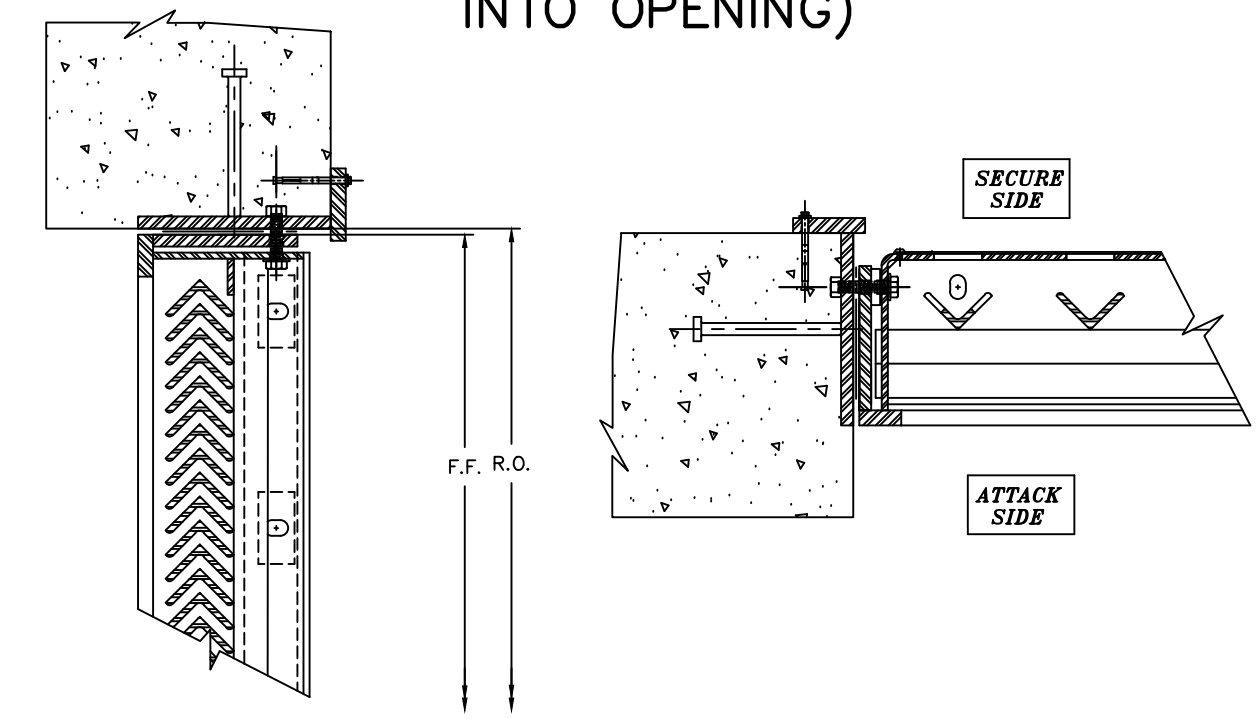
EMBED/SUBFRAME NOT SHOWN

2-UNIT-WIDE ASSEMBLY
SHOWN. OVERALL SIZE
AND NUMBER OF UNITS
DEPENDENT ON AIR FLOW
AND PRESSURE DROP
REQUIREMENTS.

			SCALE	<i>ROSS TECHNOLOGY CORP.</i> <i>ARCHITECTURAL SECURITY</i> <i>LEOLA, PA. 17540</i>	
DIMENSIONS	ANGULAR (DEG/MIN)	± 0'30"			
	LINEAR (FRAC)	± 1/16			
	LINEAR (DEC)	.X ± .06 .XX ± .03 .XXX ± .015			
			CUSTOMER	W.O #	
DRAWN BY	CHKD BY	CNC NO.	TITLE HL-2133 60 MIN FE/BR LOUVER CAD		
DATE	DATE	DISK #	DWG. NO.	REV	

L-FRAME SECTIONS (LOUVER CAN BE RECESSED INTO OPENING)

T-FRAME SECTIONS (LOUVER INSTALLED FLUSH WITH WALL FACE)



WALL MOUNT BALLISTIC STOP SHOWN; EMBED/SUBFRAME MOUNT AVAILABLE.

			SCALE		ROSS TECHNOLOGY CORP. ARCHITECTURAL SECURITY LEOLA, PA. 17540	
			ANGULAR (DEG/MIN)	± 0'30"		
			LINEAR (FRAC)	± 1/16	CUSTOMER	
			LINEAR (DEC)	.X ± .06	W.O #	
				.XX ± .03	TITLE	
				.XXX ± .015	HL-2133 LOUVER SECTION CAD	
DRAWN BY	CHKD BY	CNC NO.	DATE		DWG. NO.	REV