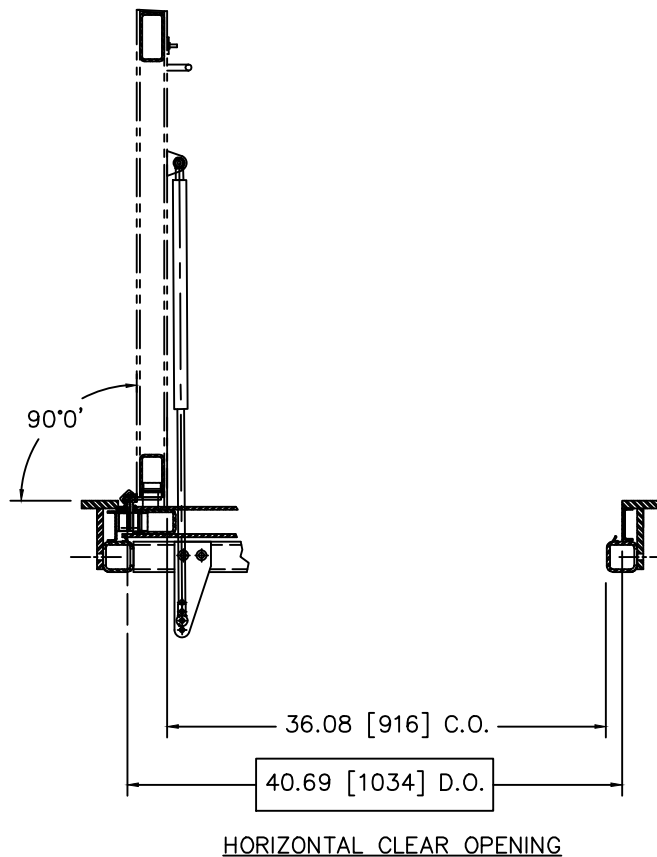
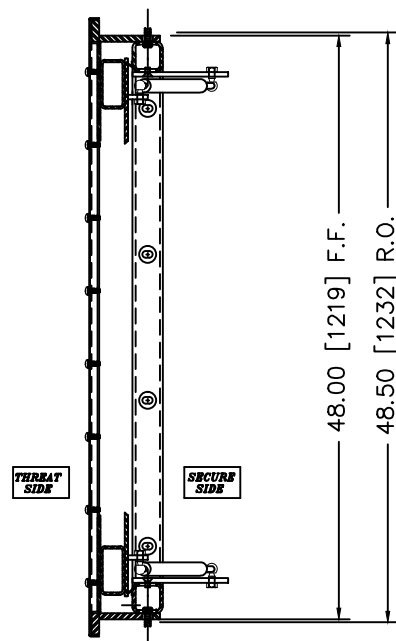


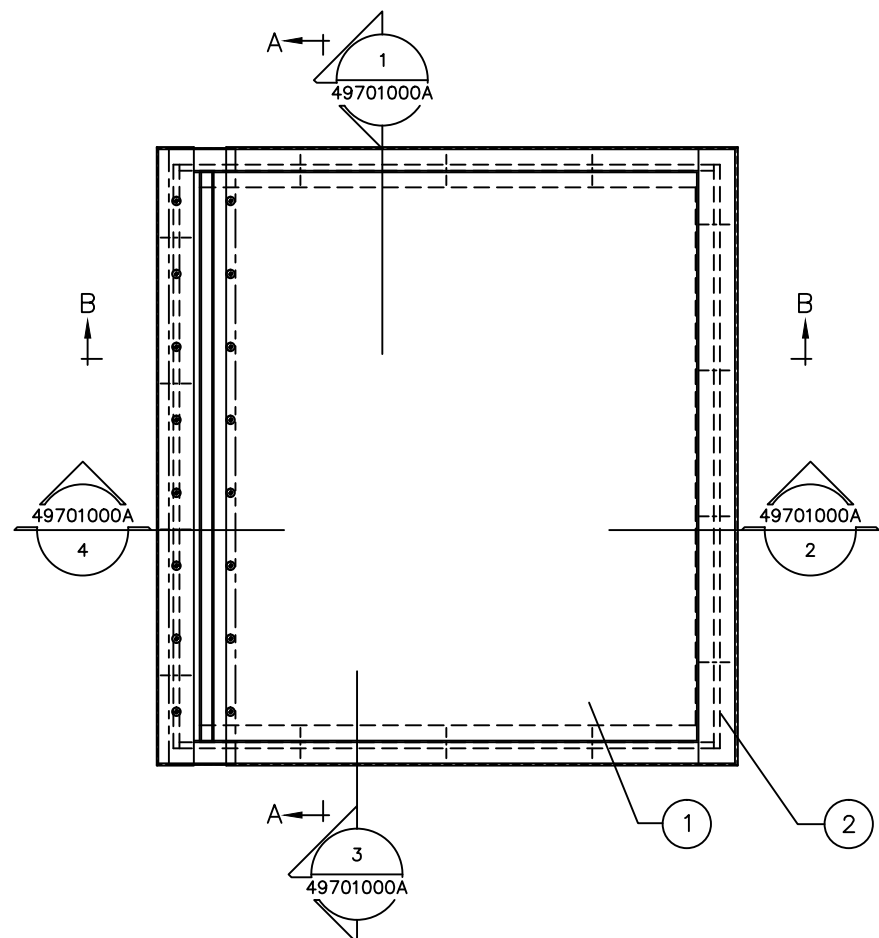
SECTION B-B



HORIZONTAL CLEAR OPENING



SECTION A-A



A.F.F. = ABOVE FINISHED FLOOR  
 C.O. = CLEAR OPENING  
 CUST. = CUSTOMER  
 D.O. = DOOR OPENING  
 EXT. = EXTERIOR  
 F.F. = FINISHED FRAME  
 INT. = INTERIOR  
 LOC. = LOCATION  
 No. = NUMBER  
 P.O. = PURCHASE ORDER  
 QTY. = QUANTITY  
 R.O. = ROUGH OPENING  
 V.O. = VISION OPENING  
 WO. = WORK ORDER

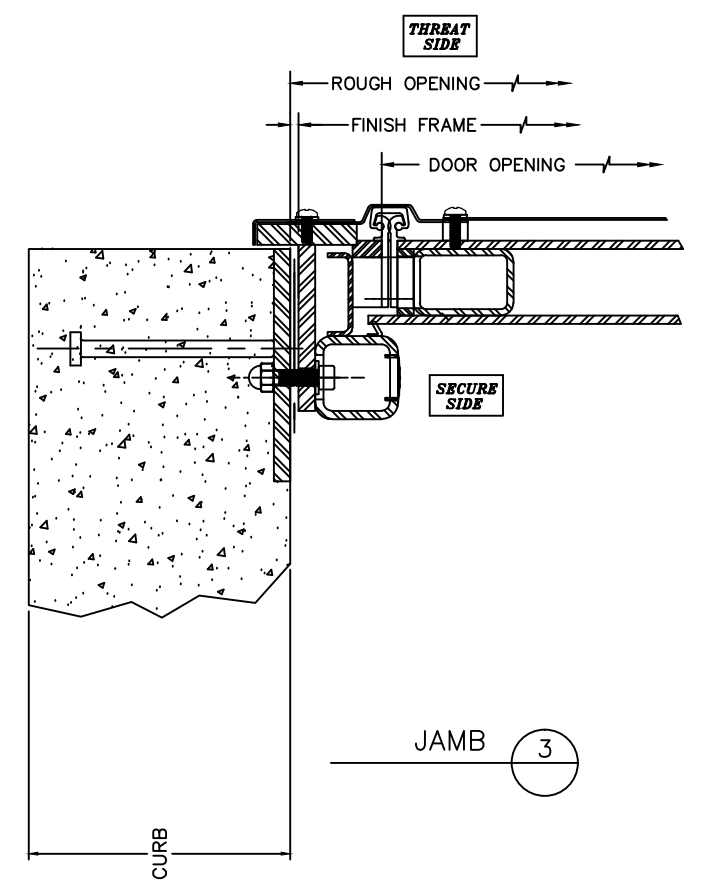
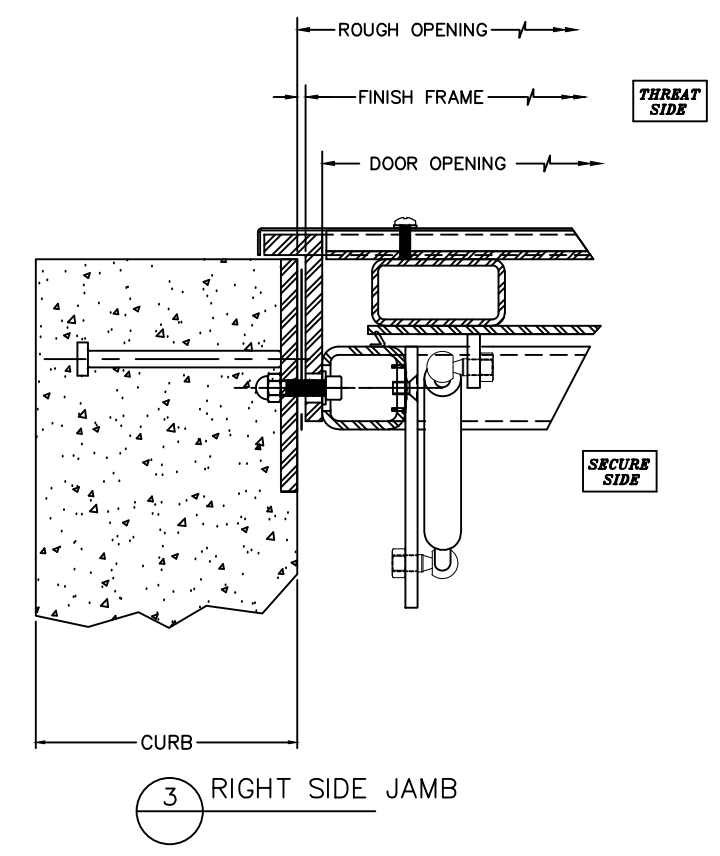
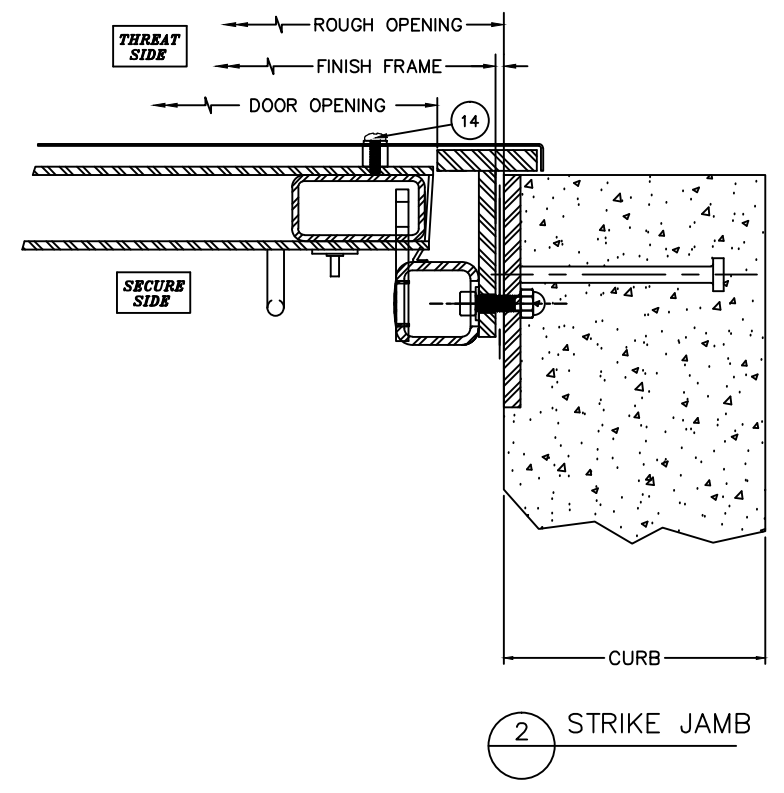
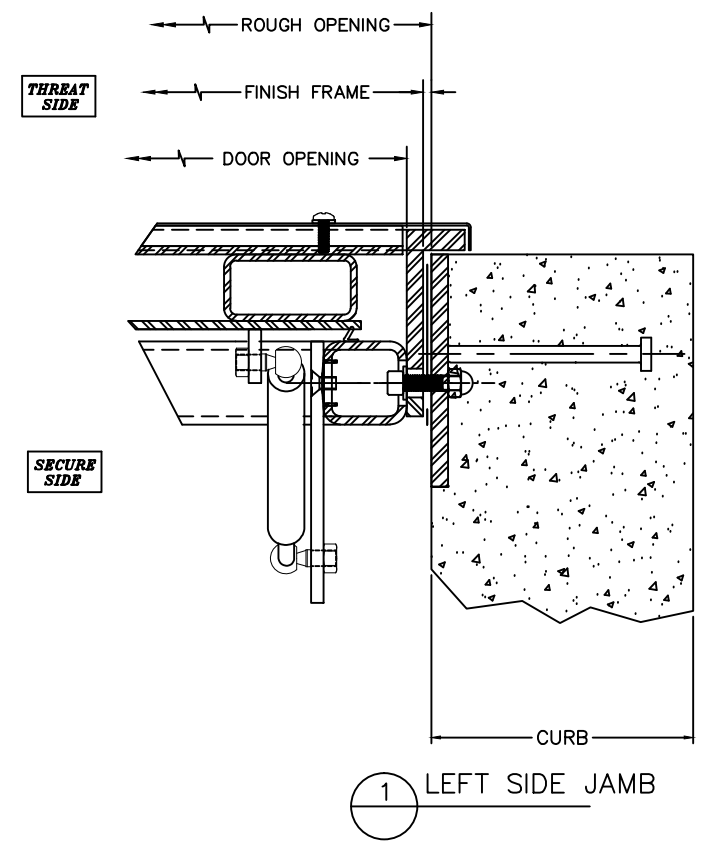
DOS MODEL No. CHE-60R-R0S-01A

ROSS MODEL No. EH2-2133

DIMENSIONS IN [ ] ARE METRIC

ITEM	QTY.	PART NO.	DESCRIPTION
3	1	49701800	SUBFRAME ASSEMBLY & WELDMENT
2	1	49701200	L-FRAME ASSEMBLY AND WELD
1	1	49701100	HATCH ASSEMBLY AND WELD w/ INTEGRATED WEATHER COVER

SCALE			ROSS TECHNOLOGY CORP. ARCHITECTURAL SECURITY LEOLA, PA. 17540	
ANGULAR (DEG/MIN)	± 0'30"		CUSTOMER	W.O #
LINEAR (FRAC)	± 1/16			
LINEAR (DEC)	.X ± .1 .XX ± .06 .XXX ± .031			
DRAWN BY	CHKD BY	CNC NO.	TITLE EH2-2133 60 MIN FE/BR HINGED HATCH CAD	
DATE	DATE	DISK #	DWG. NO.	REV



HATCH		SCALE	ROSS TECHNOLOGY CORP.	
		1/5	ARCHITECTURAL SECURITY	
			LEOLA, PA. 17540	
ANGULAR (DEG/MIN)	± 0'30"	CUSTOMER		W.O #
LINEAR (FRAC)	± 1/16			
LINEAR (DEC)	.X ± .1			
	.XX ± .06			
	.XXX ± .031			
DRAWN BY	CHKD BY	CNC NO.	TITLE	
			EH2-2133 HATCH SECTIONS	
DATE	DATE	DISK #	DWG. NO.	REV