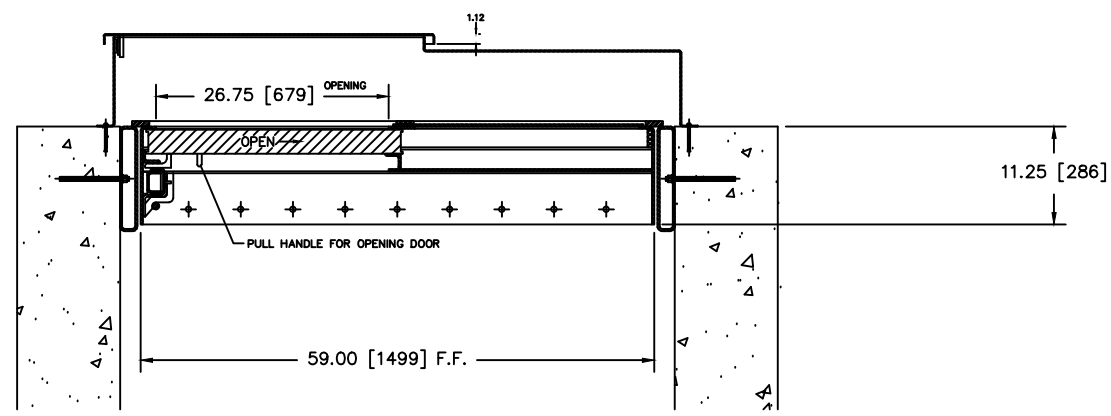
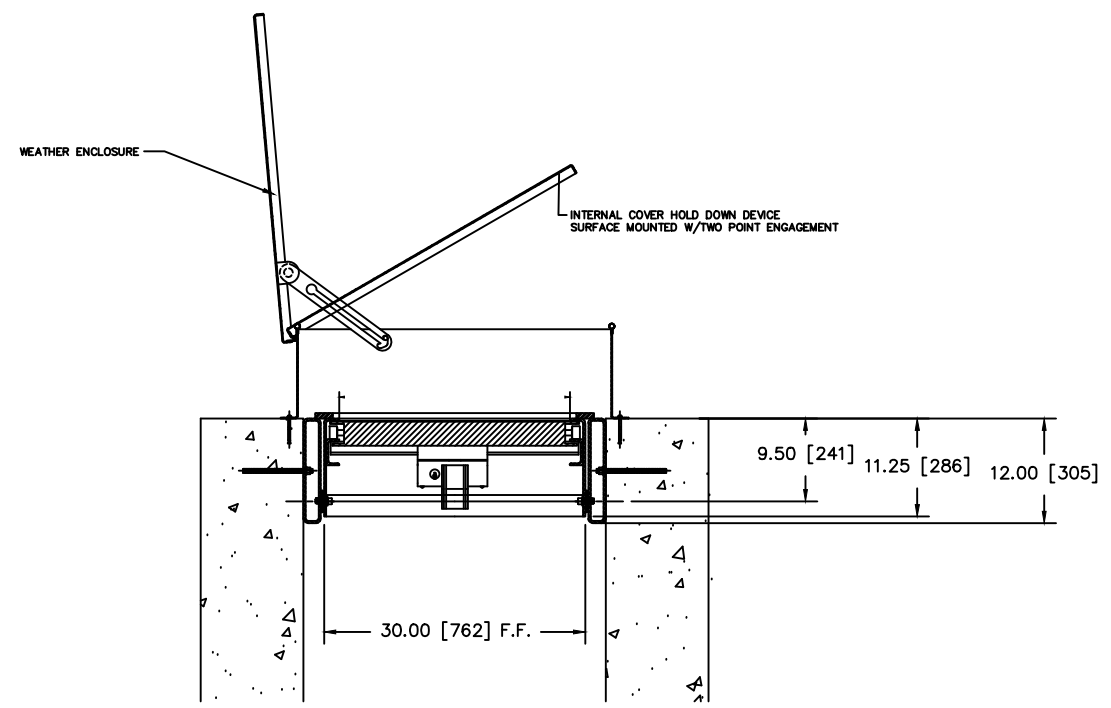


WEATHER ENCLOSURE NOT SHOWN THIS VIEW



SECTION B-B



SECTION A-A

No. = NUMBER  
 WO = WORK ORDER  
 LOC. = LOCATION  
 R.O. = ROUGH OPENING  
 F.F. = FINISHED FRAME  
 V.O. = VISION OPENING

**MODEL No. GHE-60R-ROS-01**  
**DOS CODE: 2133**  
**DIMENSIONS IN [ ] ARE METRIC**

1	1		SLIDING HATCH EMBED ASSEMBLY	-
ITEM	QTY.	PART-NO.	DESCRIPTION	WT.
HATCH		SCALE		<b>ROSS TECHNOLOGY CORP.</b> <b>ARCHITECTURAL SECURITY</b> LEOLA, PA. 17540 CUSTOMER _____ W.O # _____
T O P S I D E P R I N T	ANGULAR (DEG/MIN)	± 0'30"		
	LINEAR (FRAC)	± 1/16		
	LINEAR (DEC)	.X ± .06 .XX ± .03 .XXX ± .015		
DRAWN BY	CHKD BY	CNC NO.	TITLE EH1-2133 60 MIN FE/BR SLIDING HATCH	
DATE	DATE	DISK #	DWG. NO. EH1-2133 CAD	REV