

Verse Wall Connector Assembly Instructions

For PWB-1

Step 1

Remove plastic caps (A) from tops of panels involved in by prying out with screwdriver. Place plastic cap with threaded hole (D) into top corner of panel. Find top wall bracket (E) and install on panel as shown using screw provided (F). Bracket lays over the top bar of frame.

Step 2

Make sure glides (C) are out about 1" from bottom of panel (if glides are not in panels, install them at this time). Turn flange nut (B) on glide stem out so that there is at least $\frac{1}{4}$ " clearance between bottom of panel frame and flange nut. Find bottom wall bracket (G) and insert as shown between panel frame and flange nut. Tighten flange nut to secure bracket in place.

Step 3

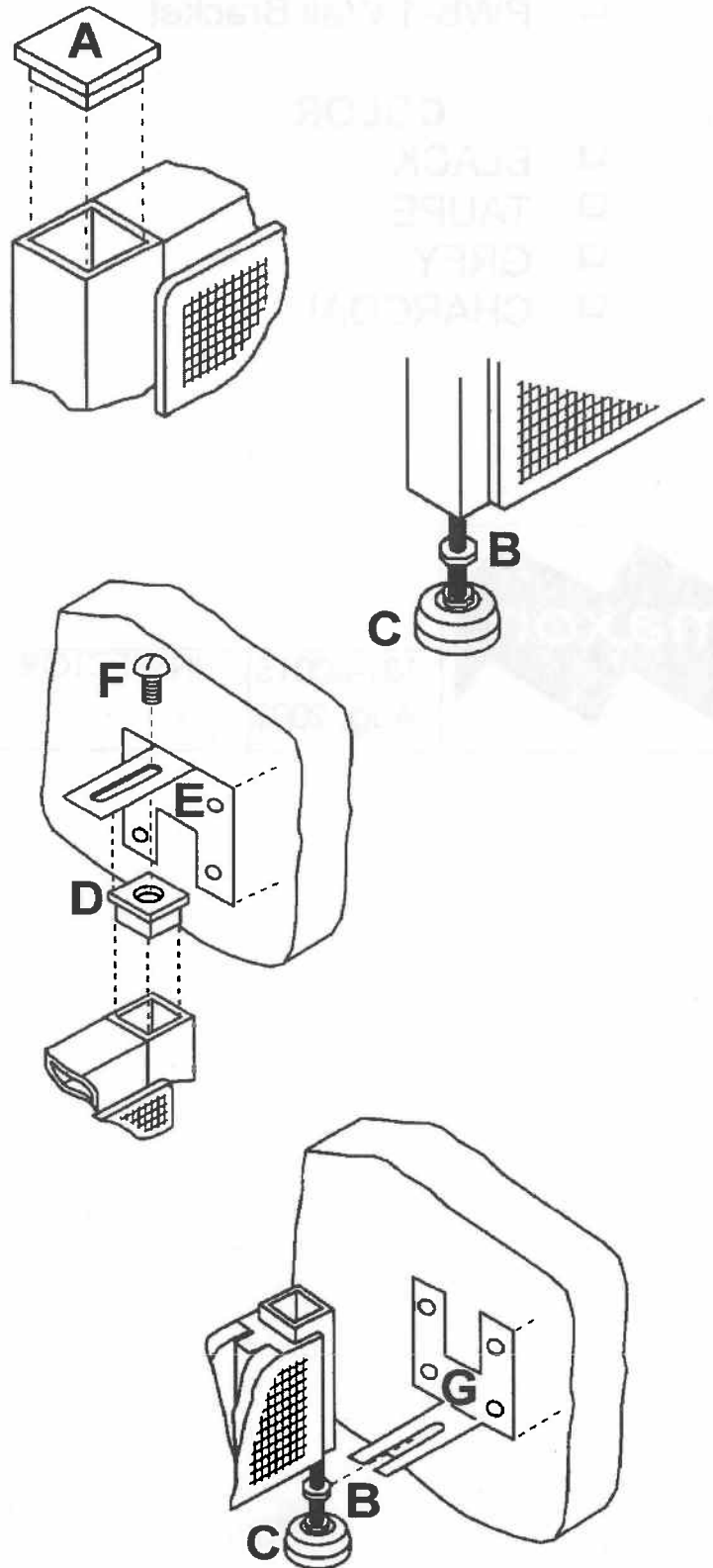
With help from another person, stand panel in position against wall. Place carpenters level against panel frame and when panel is perfectly vertical, mark where holes in both top and bottom brackets line up on wall.

Step 4

Remove panel from wall. Type of fastener will depend upon type of wall being attached to. Maxon Furniture Inc. does not provide fasteners for this purpose. Using the proper fasteners, secure panel to wall.

Step 5

Panel distance from wall can be adjusted by loosening screw on top and nut on bottom and positioning panel where desired. Retighten screw and nut.



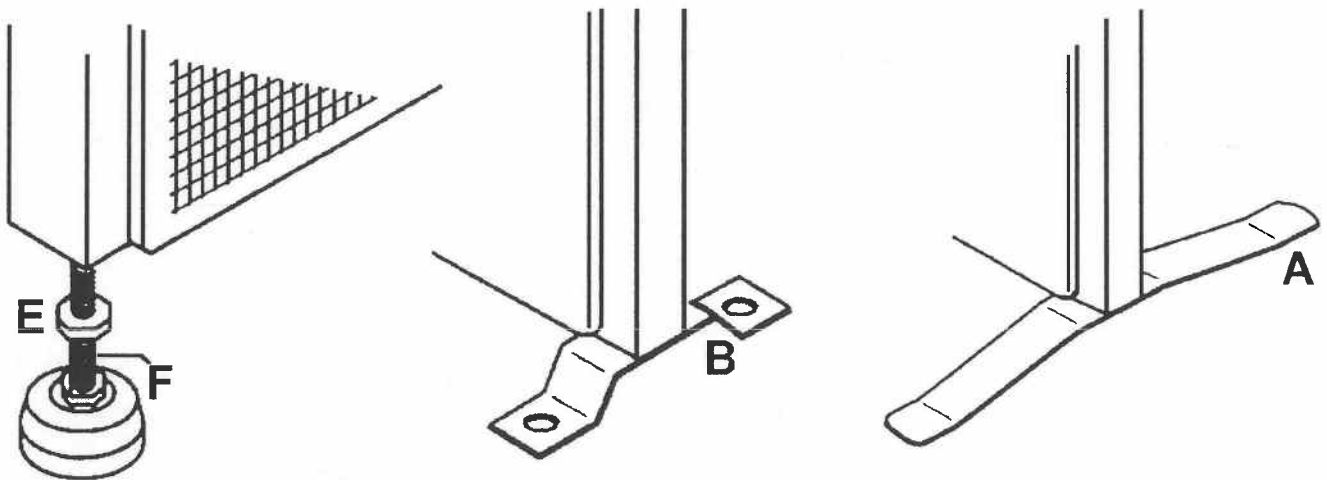
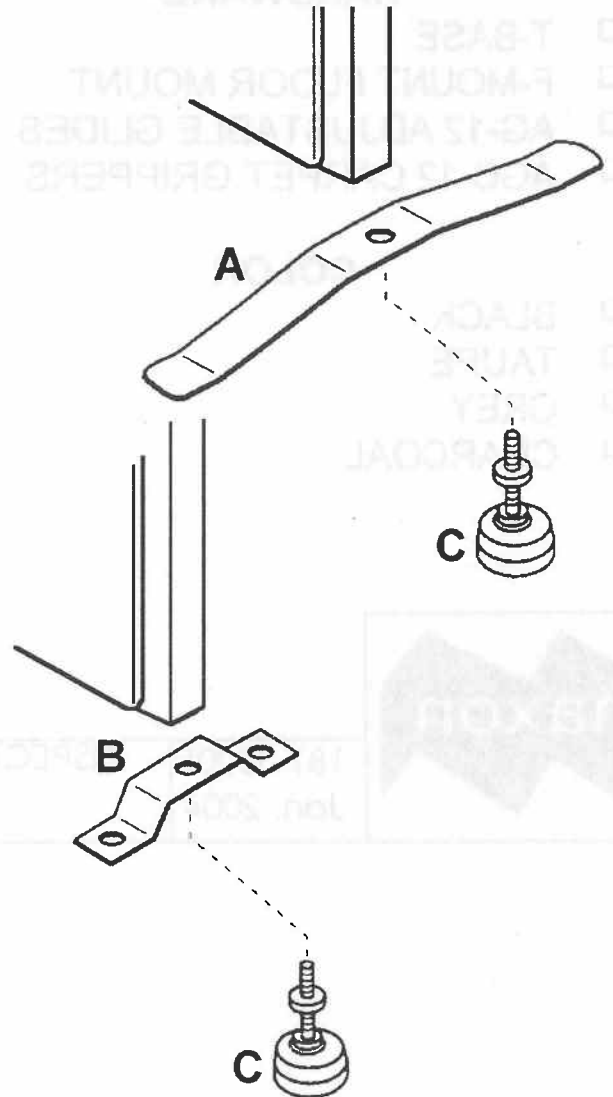
T-Base, Floor Mount, and Adjustable Glide Assembly Instructions

INSTRUCTIONS:

1. Remove Glide from bottom of panel. Find T-Base (A) or Floor Mount Bracket (B). Notice that hole in T-Base or Floor Mount Bracket is off-center. Position as shown on panel so that hole is towards outside of panel.
2. Insert Glide (C) through T-Base (A) or Floor Mount Bracket (B) and into bottom of panel frame. Tighten Glide and place panel assembly in final location.
3. Use this step for Floor Mount Bracket only. Connect Floor Mount Bracket to floor with proper hardware. Hardware used will depend upon type of floor attached to. Maxon Furniture Inc. does not provide hardware for this purpose. Floor Mount Bracket must be secured to floor for proper stability.

ADJUSTABLE GLIDES:

If Adjustable Glides are to be installed instead of T-Bases or Floor Mount Brackets, first make sure one flange nut (E) is on each glide stem (F) as shown. The flange nut will be used for installing panel connectors later. Install glide in bottom of panel frame leaving it out about 1" from bottom of panel.



maxon™

Maxon Furniture Inc.
21606 86th Place South • Kent, WA 98031-1926
Customer Service 1-800-876-4274

181-30005
Jan, 2004

SHEET 1 OF 2

Straight connector creep is @ .080" (3/32") per connector (QC180)
 90 degree connector creep is 1.187" (1 3/16") per 90 degree connector (QC90)
 NOTE: all Verse panels are 1/2" wider than their nominal value

Verse Quick Connectors - QC90 and QC180

Assembly Instructions

Panel Creep is @ .080" (3/32") on straight conn
 P.C. is @ 1 3/16" on 90 degree connector
 per MHC (10/12/11)

QC90 - 90° Corner Connector - Use for a 2 way, 3 way and 4 way corner connection or for multi-height corner connections.

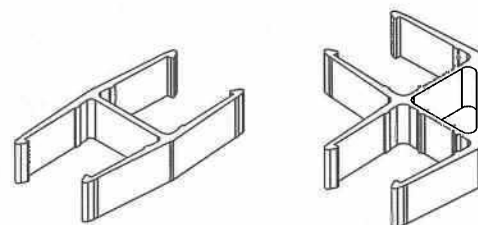
QC180 - 180° Straight Connector - Use when connecting two panels together for a straight connection or for multi-height straight connections.

Tools required: None

Installation:

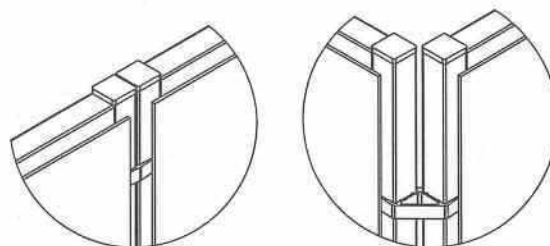
- With help, align panels in a 90 or 180 degree configuration.
 - Make sure all panel glides are leveled at the same height.
 - Each 90 or 180 degree connection requires 2 brackets (1 pair) on each panel end. The location should be placed within 6" from the top edge (of the "smallest" panel in the configuration) and 6" from the bottom edge. (see FIG. 1)
 - Slip the ends of the connector between the fabricated part of the panel and the square tube and snap into place over the vertical square tube (see FIG. 2).
- NOTE: The connectors are secure in place after the "snap" has occurred.
- Snap the other end of the connectors into the other panel according to the configuration.

Connection	Connectors
Straight	1 pair - QC180
90° 2-way	1 pair - QC90
3-way	2 pair - QC90
4-way	3 pair - QC90

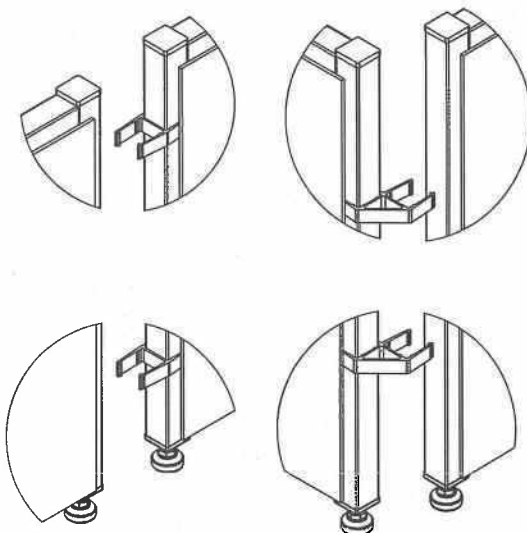


QC180

QC90



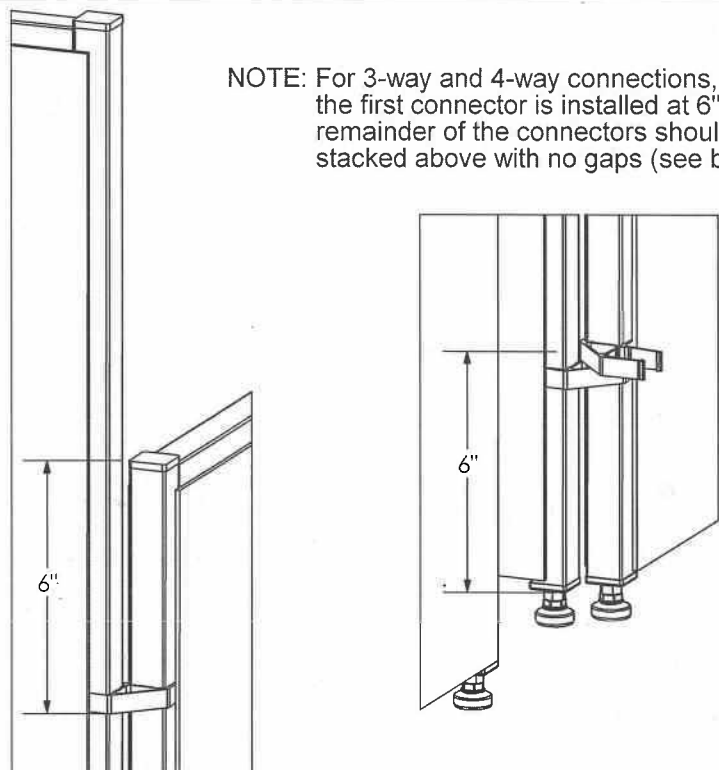
Completed connections



180° connection

90° connection

FIG. 2 Top and Bottom view



NOTE: For 3-way and 4-way connections, the first connector is installed at 6" the remainder of the connectors should be stacked above with no gaps (see below).

FIG. 1 Top and Bottom view



Panel Support Bracket (PBS & PBS10) Assembly Instructions

The PBS and PBS10 hardware pack includes:

PBS

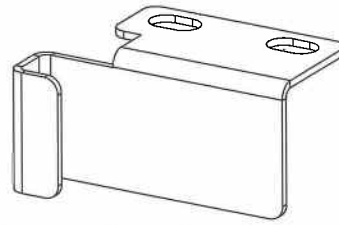
2 ea. Panel Attaching Brackets
4 ea. #10 x 3/4" Panhead Screws

PBS10

10 ea. Panel Attaching Brackets
20 ea. #10 x 3/4" Panhead Screws

Instructions:

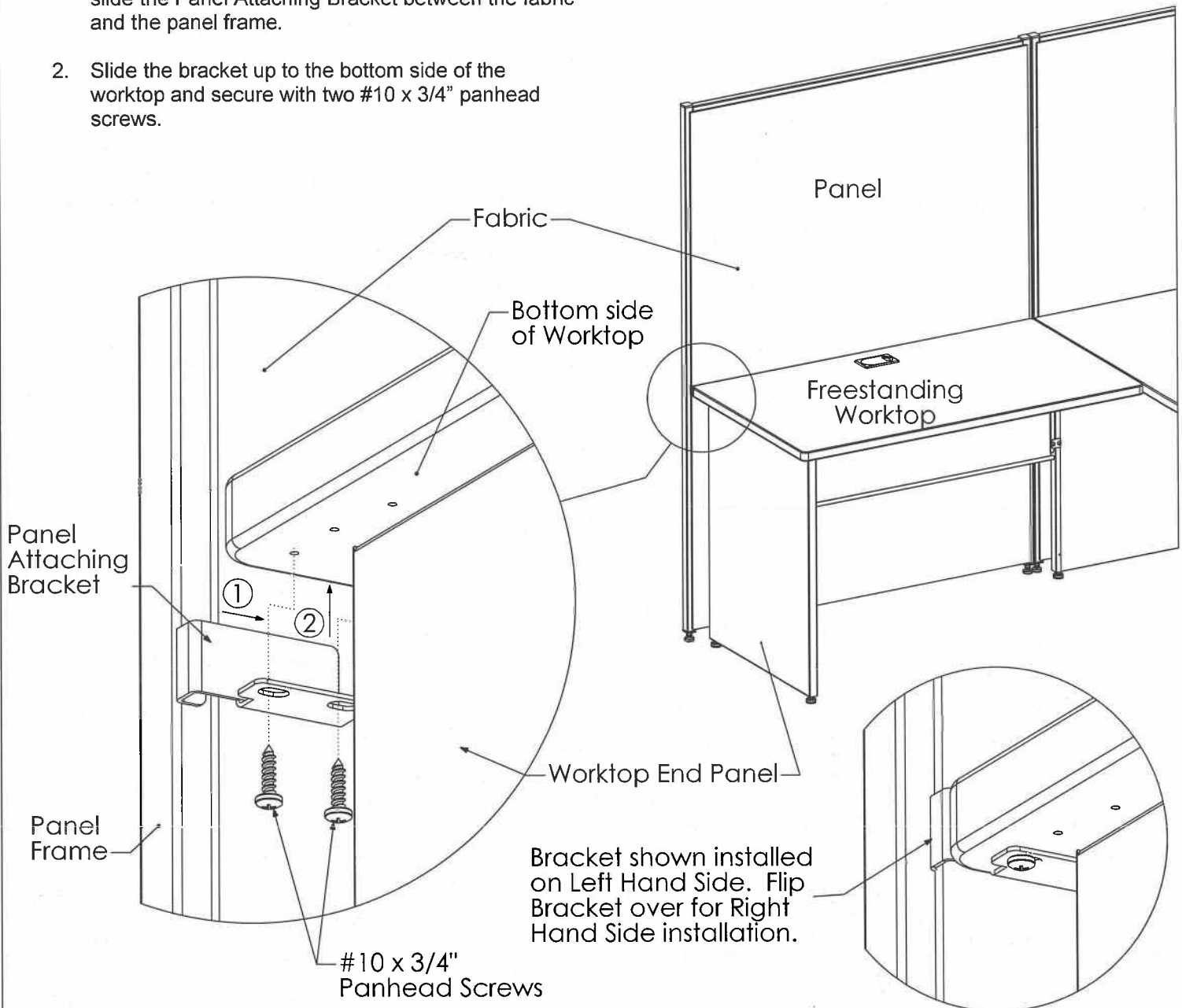
1. With the Panel up against the freestanding worktop, slide the Panel Attaching Bracket between the fabric and the panel frame.
2. Slide the bracket up to the bottom side of the worktop and secure with two #10 x 3/4" panhead screws.



Panel Attaching Bracket



#10 x 3/4" Panhead Screw



Maxon Furniture Inc.
an HNI Corporation company
www.maxoninfo.com
Customer Service 1-800-876-4274

181-30007
REV. A
September 2005

SHEET 1 OF 1