

# Bath Wastes and Trim Kits



**Brass**  
Page 28



**QuickTrim®**  
Easy to  
Change Finish  
Page 48



**Universal NuFit®**  
Makes Old  
Drains New  
Page 40



**901 Innovator®**  
The Industry Standard  
Page 13



**IdealLav™**  
Removable Grid  
Internal Stopper  
Page 38



**Flex**  
Eliminates Offsets  
Page 6

Schedule 40 _____	6-24
Flexible Series _____	6
Innovator® Cable Series _____	9
900 Innovator® Series _____	12
900 Innovator® Drain Series _____	16
400 Perfect Fit Series _____	21
600 One-Hole Series _____	22
<hr/>	
Tubular Plastic _____	25-27
Tubular Brass _____	28-36
Lavatory _____	37-39
<hr/>	
Trim Kits _____	40-53
Tub Closures _____	54-55
Faceplate Kits _____	56
<hr/>	
Bushings/Accessories _____	57
<hr/>	
Spec Sheets _____	58-65
Parts by Number _____	66-68
Parts by Category _____	69-72
<hr/>	
Terms & Conditions _____	73
Freight Allowance _____	73
Tech Notes _____	74-75





# Table of Contents

## QUICK-FIND PRODUCT NUMBER LOCATOR ..... 4-5

### SCHEDULE 40

#### FLEXIBLE BATH WASTES

WatcoFlex® .....	Direct Drains with Direct Drain Tee .....	6
Flex900 Series .....	Flex916 / Flex924 with Sanitary Tee.....	7
Flexible Innovator CableFlex® Series .....	928 / 938 / 948 CableFlex®.....	8
Flexible Innovator Drain Series .....	Flex916N & Flex924N .....	18

#### INNOVATOR CABLE®

CableFlex® .....	928 / 938 / 948 CableFlex®.....	8
Schedule 40 rigid pipe.....	970 / 980 / 990 Cable .....	9
Cable Half Kits.....	971 / 981 / 991 Cable.....	10
Innovator Cable Bath wastes with ADA Handles .....		11

#### SCHEDULE 40 BATH WASTES

900 Series .....	900 / 902 Innovator® Series .....	12-14
	915 / 917 / 918 Half Kits with Hub or Spigot Adapters.....	15
	920 / 921 / 951 / 961 ABS stopper/knob, zinc or brass bodies ..	12-13
	940 / 941 Innovator® Plus Series.....	12-14
Innovator Drain Series .....	900N / 901N / Flex916N / Flex924N / Stoppers .....	16-17
Perfect Fit Series .....	400 / 401 Perfect Fit Series.....	21
600 Series .....	600 / 601 1-Hole Faceplate Series.....	22
	Trip Lever / SLIPLOCK® / TURNSTYLE®.....	23
	620 / 621 / 651 / 661 ABS stopper/knob, zinc or brass bodies ..	23
	610 / 612 / 614 / 615 / 616 / 617 with Hub or Spigot Adapters...	24

### TUBULAR PLASTIC

500 Series .....	500 / 550 / 2-Hole / SLIPLOCK® Bath Wastes .....	25
	500 / 550 Trip Lever / QUICK ADJUST® / TURNSTYLE®.....	25
	510 Quarter Kit / 590 / 594 Innovator® .....	27
	595 Innovator® & 515 Direct Drains .....	27

### TUBULAR BRASS

501 / 502 Series .....	501 / 551 Series – 502 / 552 Series, 17 & 20-gauge .....	30-31
Trip-Lever Type.....	501 / 502 – 551 / 552 QUICK ADJUST® & Trip Lever.....	30
	501 / 502 – 551 / 552 TURNSTYLE® .....	33
Tub Closures / Direct Drains.....	511 Tub Closures – 512 & 593 Innovator® Direct Drains.....	33
Innovator Brass Drains.....	591 / 598 – 592 / 599 Innovator® 17 & 20-gauge.....	34-35
Cable / Chicago-Code.....	528 / 538 Cable, 20g – 567 / 568 Chicago Code, 17g .....	36

### LAVATORY DRAINS

800 / 801 Series – 700 ABS .....	41-43
----------------------------------	-------

### TRIM KITS / TUB CLOSURES / REPLACEMENT STOPPERS

Trim Kits .....	Universal NuFit® Trim Kits and Tub Closures .....	40-45
	NuFit® Trim Kits and Tub Closures .....	46-47
	QuickTrim® Trim Kits and Tub Closures .....	48
	528/538 Brass Cable Trim Kits; Innovator Cable Trim Kits .....	49
	Coarse-Thread / Fine-Thread Innovator® & 1-Hole Trim Kits....	50-51
Trip-Lever Type Trim Kits.....	52-53	
Tub Closures / Replacement Stoppers / Faceplate Kits .....	54-56	

### BUSHINGS / ACCESSORIES

Bushings / Test Kits / Measuring Kits / Miscellaneous.....	57
--	----

### OTHER INFORMATION

Spec Sheets .....	Schedule 40:58-62 / Tubular Plastic: 62-64 / Brass: 64-65
Parts .....	Listed by Part No.: 66-68 / Listed by Category: 69-72
Carded Packaging (NOTE: Place “-C” at end of part number.).....	73
Policies and Miscellaneous Information .....	73
TechNotes .....	74-75
Representatives.....	Back Cover















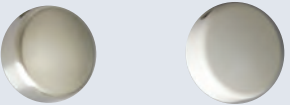






# Bath Waste Numbering System



## Example of Product #:

901 — FA — PVC — CP — \*\*\*  
 Series Number Stopper Material Finish

1	2	3	4
<b>SERIES #</b> <i>Examples:</i> <b>FLEX</b> <b>FLEX916</b> <b>928-CA</b> <b>970-CA</b> <b>971-CA</b> <b>900</b> <b>901</b> <b>902</b> <b>915</b> <b>917</b> <b>921</b> <b>951</b> <b>952</b> <b>900N</b> <b>901N</b> <b>902N</b> <b>401</b> <b>600</b> <b>601</b> <b>621</b> <b>651</b> <b>661</b> <b>610</b> <b>612</b> <b>614</b> <b>615</b> <b>617</b> <b>500</b> <b>550</b> <b>510</b> <b>515</b> <b>595</b> <b>590</b> <b>501</b> <b>591</b> <i>Etc.</i>	<b>STOPPERS</b> <b>CA =</b>  <b>CABLE</b> <b>FA =</b>  <b>FOOT ACTUATED</b> <b>LT =</b>  <b>LIFT AND TURN</b> <b>PF =</b>  <b>PRESFLO®</b> <b>PP =</b>  <b>PUSH PULL®</b> <b>SL =</b>  <b>SLIP LOCK®</b> <b>TL =</b>  <b>TRIP LEVER</b> <b>TQ =</b>  <b>TL QUICK ADJUST®</b> <b>TS =</b>  <b>TURNSTYLE®</b>	<b>TUBING / FITTING MATERIAL</b> <b>ABS</b> Acrylonitrile Butadiene Styrene (Black)  <b>BRS</b> 17-Gauge & 20-Gauge Brass Pipe  <b>FLEX</b> Flexible PVC Pipe (Green)  <b>PVC</b> Polyvinyl Chloride (White) 	<b>FINISHES AVAILABLE</b> <b>AP</b> Aged Pewter <b>BB*</b> (Champagne Bronze)  <b>BN*</b> Brushed Nickel <b>BO</b> Bone  <b>BS</b> Biscuit <b>BZ</b> Oil-Rubbed Bronze  <b>CB</b> Chrome Brushed <b>CP</b> Chrome Plated  <b>NP*</b> Nickel Polished <b>PB*</b> Polished Brass  <b>WH</b> White <b>WI</b> Wrought (Matte Black)  * PVD Finish

## 5 OPTIONS

\*\*\* Many options are available and are found throughout the various products.



# Product Index

Find products beginning with...

ITEM #	PAGE	ITEM #	PAGE	ITEM #	PAGE	ITEM #	PAGE	ITEM #	PAGE
<b>1</b>		<b>3</b>		<b>3 Cont.</b>		<b>4</b>		<b>5</b>	
10121.....	57	38080.....	51	38317.....	55	400-.....	21	551-TS.....	33
10770.....	52	38090.....	51	38319.....	55	401-.....	21	552-.....	31
10771.....	52	38100BUSH ...	57	38321.....	55	48100.....	47	552-TQ.....	32
11111-SET.....	57	38101.....	57	38325.....	55	48200.....	47	552-TS.....	33
11114.....	57	38102.....	57	38329.....	54	48300.....	47	567.....	36
11519.....	54	38103.....	57	38333.....	54	48301.....	49	568.....	36
11547 ....	41, 43, 45	38104.....	57	38350.....	55	48400.....	47	58080.....	51
11551 ....	41, 43, 45	38105.....	57	38360.....	54	48500.....	47	58190.....	51
11554 ....	41, 43, 45	38106.....	57	38370.....	54	48600.....	47	58220.....	55
11565.....	57	38107.....	57	38375.....	55	487SA-PP....	41-43	58290.....	50
11573.....	57	38108.....	57	38380.....	55	48700-FA....	44-45	58296.....	50
11574.....	57	38109.....	57	38385.....	55	48700-PP....	40-43	58301.....	55
11577.....	57	38110.....	57	38390.....	50	48701-FA....	45	58305.....	54
11579.....	57	38111.....	57	38390W.....	50	48701-PP ...	41-43	58306.....	54
11587.....	57	38112.....	57	38395.....	55	4870N-FA....	44-45	58307.....	55
11594.....	57	38113.....	57	38410.....	54	4870N-PP...	40-43	58308.....	55
18001.....	56	38114.....	57	38412.....	54	48750-FA....	44-45	58309.....	55
18002.....	56	38115.....	57	38420.....	51	48750-PP....	40-43	58317.....	55
18003.....	56	38116.....	57	38433.....	50	48751-FA....	45	58319.....	55
18009.....	56	38170.....	53	38490.....	51	48751-PP....	40-43	58321.....	55
18660.....	52	38180.....	53	38516.....	54	4875N-FA...	44-45	58329.....	54
18661.....	52	38190.....	51	38520.....	54	4875N-PP...	40-43	58333.....	54
18662.....	52	38194.....	51	38530.....	54	<b>5</b>			
18663.....	52	38212.....	51	38540.....	54	500-.....	25	58350.....	55
18702.....	56	38219.....	55	38610.....	54	500-SL.....	25	58390.....	50
		38220.....	55	38651.....	54	500-TL.....	26	58390W.....	50
		38250.....	50	38660.....	52	500-TQ.....	26	58433.....	50
		38260.....	51	38661.....	52	500-TS.....	26	58490.....	51
		38270.....	51	38702.....	52	501-.....	30	590-.....	27
		38280.....	50	38710.....	54	501-TQ.....	32	591-.....	34
		38290.....	50	38770.....	53	501-TS.....	33	592-.....	35
		38296.....	50	38771.....	53	502-.....	31	59290.....	48
20200.....	53	38301.....	55	38810.....	54	502-TQ.....	32	593-.....	33
		38305.....	54	38812.....	54	502-TS.....	33	594.....	27
		38306.....	54	38921.....	54	510-.....	27	595-.....	27
		38307.....	55	39100.....	53	511-.....	33	598-.....	34
		38308.....	55	39290.....	48	511-TL.....	33	599-.....	35
		38309.....	55	39500.....	53	512-.....	33		
		38312.....	55	39551.....	53	515-.....	27		
		38313.....	55						

**OPTIONAL TUB CLOSURES FOR MOST WATCO COARSE-THREAD BATH WASTES - 1.865"X11.5 TPI**

<p><b>PUSH PULL®</b> Coarse Thread</p> <ol style="list-style-type: none"> <li>01010CP 01010_* 11307CP**</li> <li>11584</li> <li>01013CP 01013_* 11290CP**</li> <li>11507</li> <li>01016CP* 01016_* 11492CP**</li> </ol>	<p><b>LIFT &amp; TURN</b> Coarse Thread</p> <ol style="list-style-type: none"> <li>01010CP 01010_*</li> <li>11079</li> <li>11088</li> <li>11290CP 01013_*</li> <li>11507</li> <li>11492CP 01016_*</li> </ol>	<p><b>PRESFLO®</b> Coarse Thread</p> <ol style="list-style-type: none"> <li>11145CP 11145_*</li> <li>11132</li> <li>11060CP 11060_*</li> <li>96039: Suction Cup for removing stopper</li> </ol>	<p><b>FOOT ACTUATED</b> Coarse Thread</p> <ol style="list-style-type: none"> <li>38412CP 38412_*</li> <li>11492CP* 01016_*</li> </ol> <p><b>SL, TL, TQ, TS</b></p> <ol style="list-style-type: none"> <li>01040CP 01040_*</li> <li>01006CP 01006_*</li> <li>11495CP</li> </ol>
---	--	---	--

\* If finish other than Chrome is desired, please use this part number and indicate desired finish.  
 \*\* Plastic Knob, Stopper, and Zinc Body

For 12 tpi, see pages 50 and 54.



# Product Index



Find products beginning with...

ITEM #	PAGE	ITEM #	PAGE	ITEM #	PAGE	ITEM #	PAGE	ITEM #	PAGE
<b>6</b>		<b>Lavatory</b>		<b>9</b>		<b>9 Cont.</b>		<b>A - Z</b>	
600-.....	22	<b>7</b>		900-.....	12	941-.....	14	CA W/ADA.....	11
600-SL.....	23	700-PP-ABS....	37	900N-.....	16	948-CA.....	8	FLEX.....	6
600-TL.....	23	715-P.....	38	900NRI-.....	16	948100.....	46	FLEX916.....	7
600-TS.....	23	715-B.....	38	900NSA.....	20	948400.....	46	FLEX916N.....	18
601-.....	22	<b>8</b>		900NSF-.....	16-18	948500.....	46	FLEX916NRI..	18
610-.....	24	800-PP.....	37	900TK.....	20	948700-FA.....	44	FLEX924.....	7
612-.....	24	800-PF.....	37	901-.....	13	948700-PP... 40-42		FLEX924N.....	18
614-.....	24	801-PP.....	37	901N-.....	17	948701-FA.....	45	FLEX924NRI..	18
615-.....	24	801-PF.....	37	901NRI-.....	17	948701-PP... 41-43		U39290.....	48
616-.....	24	815-P.....	38	902-.....	14	94870N-FA... 44-45		U939290.....	48
617-.....	24	815-B.....	38	91050-.....	48	94870N-PP... 40,42		W900-.....	12
620-.....	23			91100.....	50	94870N... 40,42,44		W901.....	13
621-.....	23			91105.....	50	951.....	13	Condensate	
650-TL.....	23			915-.....	15	958080.....	51	Adapter.....	57
650-TS.....	23			91600.....	51	958190.....	51		
651-.....	23			91610.....	48	958290.....	50		
661-.....	23			91615.....	48	959290.....	48		
68080.....	51			91618.....	48	968080.....	51		
68190.....	51			91651.....	48	968190.....	51		
68290.....	50			917-.....	15	968290.....	50		
68296.....	50			918-.....	15	969290.....	48		
68301.....	55			920.....	12	970-CA.....	9		
68305.....	54			921.....	13	971-CA.....	10		
68306.....	54			928-CA.....	8	980-CA.....	9		
68307.....	55			928-CASF....	8-10	981-CA.....	10		
68308.....	55			92867 (#23)...	58	990-CA.....	9		
68309.....	55			92874.....	8-10	991-CA.....	10		
68317.....	55			92888.....	49				
68319.....	55			92900.....	49				
68321.....	55			92999.....	49				
68329.....	54			938-CA.....	8				
68333.....	54			938080.....	51				
68390.....	50			938190.....	51				
68390W.....	50			938250.....	50				
68433.....	50			938260.....	51				
68490.....	51			938270.....	51				
69290.....	48			938290.....	50				
				939290.....	48				
				940-.....	12				

## OPTIONAL TUB CLOSURES FOR MOST WATCO FINE-THREAD BATH WASTES - 1.625"X16 TPI

<p><b>PUSH PULL®</b> Fine Thread</p> <ol style="list-style-type: none"> <li>01010CP 01010__*</li> <li>11584</li> <li>01013CP 01013__*</li> <li>11290CP**</li> <li>11507</li> <li>01022CP* 01022__*</li> </ol>	<p><b>LIFT &amp; TURN</b> Fine Thread</p> <ol style="list-style-type: none"> <li>01010CP 01010__*</li> <li>11079</li> <li>11088</li> <li>11290CP 01013__*</li> <li>11507</li> <li>01022CP 01022__*</li> </ol>	<p><b>PRESFLO®</b> Fine Thread</p> <ol style="list-style-type: none"> <li>11155CP 11155__*</li> <li>11131</li> <li>11070CP 11070__*</li> <li>96039: Suction Cup for removing stopper</li> </ol>	<p><b>FOOT ACTUATED</b> Fine Thread</p> <ol style="list-style-type: none"> <li>38412CP 38412__*</li> <li>01022CP* 01022__*</li> </ol> <hr/> <p><b>SL, TL, TQ, TS</b></p> <ol style="list-style-type: none"> <li>01040CP 01040__*</li> <li>01006CP 01006__*</li> <li>11490CP</li> </ol>
---	---	---	--

\* If finish other than Chrome is desired, please use this part number and indicate desired finish.  
 \*\* Plastic Knob, Stopper, and Zinc Body

For 14 tpi, see pages 51 and 55.



# Innovator® Flex Series

(Flexible Tubing • Built-In Testing & Snap-On Overflow Plate • Coarse Thread: 11.5 tpi)

## WatcoFlex® Direct Drain Only

Complete Bath Wastes  
Rough-In Kits  
Stopper/Faceplate Kits  
PVC and ABS Fittings



LT



LIFT AND TURN



PP



PUSH PULL®

PF



PRESFLO®  
ADA

FA



FOOT ACTUATED  
ADA

WITH OPTIONAL  
W-OVERFLOW COVER

Fits Kohler's Tea-for-Two tub.



FLEX\_\_\_-\_\_\_-CP-T42  
BN-BZ-CB-NP-PB

Call  
Call

Add \$1.10  
for ABS Fittings

12 Per Carton

### COMPLETE BATH WASTE KIT

Complete Bath Wastes Lengths 14.5" to 17" Long	Part Number	Cost
	FLEX___-LT-PVC-CP	38.95
	FLEX___-PP-PVC-CP	46.00
	FLEX___-PF-PVC-CP	43.75
	PF: Not in BO-BS-WH	
	FLEX___-FA-PVC-CP	38.95
	FA: BB-BN-BZ-CB-CP-NP-PB-WI	

*Other Finishes:*

AP 143.95	BS 89.95	PB 87.65
BB 102.45	BZ 76.65	WH 76.85
BN 68.80	CB 121.00	WI 83.60
BO 89.95	NP 99.65	

Complete Bath Wastes Lengths 17.5" to 21" Long	Part Number	Cost
	FLEX___-LT-PVC-CP	41.00
	FLEX___-PP-PVC-CP	48.05
	FLEX___-PF-PVC-CP	45.80
	PF: Not in BO-BS-WH	
	FLEX___-FA-PVC-CP	41.00
	FA: BB-BN-BZ-CB-CP-NP-PB-WI	

**CALL For FLEX215 and Longer**

*Other Finishes:*

AP 146.00	BS 94.95	PB 89.85
BB 105.00	BZ 78.70	WH 79.30
BN 70.85	CB 123.40	WI 87.00
BO 94.95	NP 104.65	

### ROUGH IN

RI (Rough-IN) Fittings-Tubing-Strainer Body Lengths 14.5" to 17" Long	Part Number	Cost
	FLEX___-LTRI-PVC-CP	29.20
	FLEX___-PPRI-PVC-CP	33.15
	FLEX___-PFRI-PVC-CP	34.75
	PF: Not in BO-BS-WH	
	FLEX___-FARI-PVC-CP	29.20
	FA: BB-BN-BZ-CB-CP-NP-PB-WI	

*Other Finishes:*

AP 82.10	BS 53.10	PB 48.10
BB 50.20	BZ 47.95	WH 44.15
BN 46.60	CB 75.75	WI 45.25
BO 50.20	NP 52.30	

RI (Rough-IN) Fittings-Tubing-Strainer Body Lengths 17.5" to 21" Long	Part Number	Cost
	FLEX___-LTRI-PVC-CP	31.25
	FLEX___-PPRI-PVC-CP	35.15
	FLEX___-PFRI-PVC-CP	39.75
	PF: Not in BO-BS-WH	
	FLEX___-FARI-PVC-CP	31.25
	FA: BB-BN-BZ-CB-CP-NP-PB-WI	

**CALL For FLEX215 and Longer**

*Other Finishes:*

AP 87.30	BS 58.10	PB 53.65
BB 52.75	BZ 50.00	WH 46.55
BN 48.05	CB 78.20	WI 48.65
BO 55.20	NP 57.30	

**+PLUS+ Stopper/Face Plate**

900-Series SF (FLEX___) STOPPER/FACE PLATE NOT A TRIM KIT-NO STRAINER BODY	PartNumber	Cost
	900-LTSF-0-CP	9.75
	900-PPSF-0-CP	12.85
	900-PFSF-0-CP	8.55
	PF: Not in BO-BS-WH	
	900-FASF-0-CP	9.75
	FA: BB-BN-BZ-CB-CP-NP-PB-WI	

*Other Finishes:*

AP 62.35	BS 36.90	PB 32.30
BB 47.95	BZ 28.90	WH 32.75
BN 24.15	CB 45.25	WI 38.35
BO 39.75	NP 47.35	

**Example Product #:**  
**FLEX230** — **PF** — **PVC** — **CP** — **\*\*\***  
Series Number Tub Closure Material Finish Option

*Each WatcoFlex® bath waste is custom-fit to each bathtub model.  
PLEASE PROVIDE THE TUB MANUFACTURER AND MODEL NUMBER WHEN ORDERING.  
FLEX\_\_\_: The length portion (\_\_\_) of the WatcoFlex® model number will be determined by the tub's dimensions.  
Choose either a complete bath waste OR a rough-in kit and stopper/faceplate kit.*

Patented and Patents Pending  
See watcomfg.com for details.



WATCO... Always a Step Ahead.™

# Innovator® Flex Series

(Flexible Tubing • Built-In Testing & Snap-On Overflow Plate • Coarse Thread: 11.5 tpi)

## Flex900 Series Flex916 and Flex 924 Sanitary Tee and Drain Pipe

Complete Bath Wastes  
Rough-In Kits  
Stopper/Faceplate Kits  
PVC and ABS Fittings



To order the Flex916 or Flex924 without a Tee or Drain Pipe, add "-13" to part number.

Example:  
FLEX916-PP-PVC-CP-13  
Subtract \$5.05 from list price of product ordered.  
\*Available only in -CP

Add \$1.10 for ABS Fittings

12 Per Carton



LIFT AND TURN



PUSH PULL®



PRESFLO® ADA



FOOT ACTUATED ADA

### COMPLETE BATH WASTE KIT

Complete Bath Wastes With Tubing 16" Long

Part Number	Cost
FLEX916-LT-PVC-CP	40.00
FLEX916-PP-PVC-CP	47.95
FLEX916-PF-PVC-CP	45.80
PF: Not in BO-BS-WH	
FLEX916-FA-PVC-CP	40.00
FA: BN-BZ-CB-CP-NP-PB-WI	

Other Finishes:

AP 148.70	BS 94.25	PB 90.50
BB 105.95	BZ 79.15	WH 79.95
BN 73.25	CB 117.75	WI 85.90
BO 94.25	NP 103.20	

Complete Bath Wastes With Tubing 24" Long

Part Number	Cost
FLEX924-LT-PVC-CP	44.80
FLEX924-PP-PVC-CP	52.75
FLEX924-PF-PVC-CP	50.45
PF: Not in BO-BS-WH	
FLEX924-FA-PVC-CP	44.80
FA: BN-BZ-CB-CP-NP-PB-WI	

Other Finishes:

AP 153.50	BS 99.05	PB 94.35
BB 110.65	BZ 83.95	WH 84.75
BN 78.05	CB 119.95	WI 90.55
BO 99.05	NP 105.40	

### ROUGH IN

RI (Rough-IN) Fittings - Tubing - Strainer Body With Tubing 16" Long

Part Number	Cost
FLEX916-LTRI-PVC-CP	30.25
FLEX916-PPRI-PVC-CP	36.40
FLEX916-PFRI-PVC-CP	36.80
PF: Not in BO-BS-WH	
FLEX916-FARI-PVC-CP	32.10
FA: BB-BN-BZ-CB-CP-NP-PB-WI	

Other Finishes:

AP 86.25	BS 57.35	PB 58.20
BB 68.60	BZ 68.60	WH 47.20
BN 51.10	CB 51.10	WI 47.55
BO 54.50	NP 54.50	

RI (Rough-IN) Fittings - Tubing - Strainer Body With Tubing 24" Long

Part Number	Cost
FLEX924-LTRI-PVC-CP	35.05
FLEX924-PPRI-PVC-CP	39.55
FLEX924-PFRI-PVC-CP	41.60
PF: Not in BO-BS-WH	
FLEX924-FARI-PVC-CP	35.00
FA: BB-BN-BZ-CB-CP-NP-PB-WI	

Other Finishes:

AP 86.25	BS 62.15	PB 62.05
BB 62.70	BZ 55.05	WH 52.00
BN 53.90	CB 74.70	WI 52.20
BO 59.30	NP 58.05	

### +PLUS+ Stopper/Face Plate

900-Series SF (FLEX\_) STOPPER/FACEPLATE NOT A TRIM KIT - NO STRAINER BODY

Part Number	Cost
900-LTSF-0-CP	9.75
900-PPSF-0-CP	12.85
900-PFSF-0-CP	8.55
PF: Not in BO-BS-WH	
900-FASF-0-CP	9.75
FA: BB-BN-BZ-CB-CP-NP-PB-WI	

Other Finishes:

AP 62.35	BS 36.90	PB 32.30
BB 47.95	BZ 28.90	WH 32.75
BN 24.15	CB 45.25	WI 38.35
BO 39.75	NP 47.35	

Example Product #:

**FLEX916** — **PF** — **PVC** — **CP** — **\*\*\***  
Series Number Tub Closure Material Finish Option

The Overflow end of the Flex tubing is factory-welded.

The Tee end of the Flex tubing is loose, designed to be cut and fit in the field, using standard PVC-joining techniques.

Choose either a complete bath waste OR a rough-in kit and stopper/faceplate kit.



# Innovator Cable Flex®

(Flexible PVC Tubing • OF Elbow Spin-Welded to Tubing • Built-In Testing • Coarse Thread: 11.5 tpi)

## Innovator CableFlex® Fully-Testable Cable Bath Waste!

- Fully repairable from inside the tub.
- Overflow installs in minutes.
- Self-centering, aligning, and self-sealing overflow.
- Positive mechanical stop stays open in deep water.



928-CA-PVC-CP  
Testable Cable

Schedule 40 Fittings, **PVC**

Add \$1.00 for ABS Fittings  
12 Per Carton

### COMPLETE BATH WASTE KIT

Complete Bath Wastes Most Tubs up to 16" Deep	Part Number	Cost
	928-CA-PVC-CP	<b>113.60</b>

*Other Finishes:*

AP 252.10	BS 137.60	NP 206.55
BB 222.65	BZ 149.75	PB 206.75
BN 145.45	CB 212.60	WH 137.60
		WI 207.70

Most Tubs up to 24" Deep	Part Number	Cost
	938-CA-PVC-CP	<b>123.70</b>

*Other Finishes:*

AP 262.60	BS 147.75	NP 216.65
BB 232.75	BZ 159.85	PB 216.85
BN 155.60	CB 222.70	WH 147.75
		WI 217.80

Most Tubs up to 36" Deep	Part Number	Cost
	948-CA-PVC-CP	<b>134.00</b>


*Other Finishes:*

AP 274.65	BS 158.05	NP 227.00
BB 243.05	BZ 170.20	PB 227.20
BN 165.90	CB 233.05	WH 158.05
		WI 228.15

**Example Product #:**  
**928** — **CA** — **PVC** — **CP** — **\*\*\***  
Series # Tub Closure Material Finish Option

**To order the ADA Handle separately**

*To order bath waste with the ADA Handle included, see page 11.*



Part Number	Cost	
92874-CP	17.05	
AP 52.70	BS 26.25	NP 53.50
BB 23.05	BZ 34.65	PB 37.75
BN 21.20	CB 37.75	WH 33.90

**To Order with the Theft-Resistant Device Add \$1.80**

Add "-TR" to cable part number.  
 Example: 938-CA-PVC-BZ-TR



**928-CA** (21" cable)  
 Fits most tubs up to 16" deep

**938-CA** (34" cable)  
 Fits most tubs up to 24" deep

**948-CA** (48" cable)  
 Fits most tubs up to 36" deep

Patented and Patents Pending  
 See watcomfg.com for details.

### ROUGH IN

Fittings - Tubing - Strainer Most Tubs up to 16" Deep	Part Number	Cost
	928-CARI-PVC-CP	<b>73.80</b>

*Other Finishes:*

AP 120.15	BS 83.00	NP 104.50
BB 125.25	BZ 86.70	PB 104.70
BN 84.40	CB 108.85	WH 83.00
		WI 104.50

Most Tubs up to 24" Deep	Part Number	Cost
	938-CARI-PVC-CP	<b>83.90</b>

*Other Finishes:*

AP 130.65	BS 93.15	NP 114.55
BB 135.40	BZ 96.85	PB 114.80
BN 94.50	CB 118.95	WH 93.15
		WI 114.55

Most Tubs up to 36" Deep	Part Number	Cost
	948-CARI-PVC-CP	<b>94.25</b>

*Other Finishes:*

AP 142.70	BS 103.45	NP 124.90
BB 145.70	BZ 107.15	PB 125.15
BN 104.85	CB 129.25	WH 103.45
		WI 124.90

### +PLUS+ Stopper/Face Plate

SF - Stopper/Faceplate  
 For All Innovator Cable  
 Models Not a Trim Kit - No Strainer Body

Part Number	Cost
928-CASF-CP	<b>39.80</b>

*Other Finishes:*

AP 147.05	BS 54.60	NP 102.10
BB 97.40	BZ 63.00	PB 102.10
BN 61.05	CB 103.75	WH 54.60
		WI 103.20


**To quickly change the finish of the roughed-in strainer body, order the 928-CASF (above) with the Watco QuickTrim® strainer body cover and o-ring. Simply snaps over the existing strainer body.**  
**Order below.**

**QuickTrim®**

Strainer Body Cover and O-Ring	Part Number	Cost
	928-CASF-CPQ	<b>45.30</b>

*Other Finishes:*

APQ 160.80	BSQ 72.70	NPQ 134.30
BBQ 141.70	BZQ 74.85	PBQ 139.85
BNQ 69.10	CBQ 111.35	WHQ 67.00
		WIQ 129.45




# Innovator Cable® Complete Kit

(Solvent-Weld Assembly • Built-In Testing • Coarse Thread: 11.5 tpi)



Innovator® Cable

## Innovator Cable® Fully-Testable Cable Bath Waste!

- Fully repairable from inside the tub.
- Overflow installs in minutes.
- Self-centering, aligning, and self-sealing overflow.
- Positive mechanical stop stays open in deep water.

970-CA-PVC-CP  
Testable Cable



Schedule 40 Fittings, **ABS and PVC**

Add \$1.00  
for ABS Fittings

12 Per Carton

Patented and Patents Pending  
See watcomfg.com for details.

**970-CA** (21" cable)

Fits most tubs up to 16" deep

**980-CA** (34" cable)

Fits most tubs up to 24" deep

**990-CA** (48" cable)

Fits most tubs up to 36" deep

### COMPLETE BATH WASTE KIT

Complete Bath Wastes  
Most Tubs up to 16" Deep

Part Number	Cost
970-CA-PVC-CP	109.60

*Other Finishes:*

AP 247.95	BS 133.65	NP 202.50
BB 218.65	BZ 145.75	PB 202.75
BN 141.50	CB 208.55	WH 133.65
		WI 203.65

Most Tubs up to 24" Deep

Part Number	Cost
980-CA-PVC-CP	116.90

*Other Finishes:*

AP 256.95	BS 140.95	NP 209.85
BB 225.95	BZ 153.05	PB 210.10
BN 148.80	CB 207.20	WH 140.95
		WI 211.00

Most Tubs up to 36" Deep

Part Number	Cost
990-CA-PVC-CP	123.50

*Other Finishes:*

AP 266.95	BS 147.55	NP 216.40
BB 232.55	BZ 159.65	PB 216.70
BN 155.40	CB 222.50	WH 147.55
		WI 217.60

Example Product #:

**980** — **CA** — **PVC** — **CP** — **\*\*\***  
Series # Tub Closure Material Finish Option

TRIM KITS for Innovator CableFlex®  
& Innovator Cable®

Regular and QuickTrim cable  
trim kits available.  
For full selection see page 49.



92999



92888

### ROUGH IN

Fittings - Tubing - Strainer

Most Tubs up to 16" Deep

Part Number Cost

970-CARI-PVC-CP	69.75
-----------------	-------

*Other Finishes:*

AP 116.00	BS 79.05	NP 100.45
BB 121.25	BZ 82.75	PB 100.65
BN 80.40	CB 104.85	WH 79.05
		WI 100.45

Most Tubs up to 24" Deep

Part Number Cost

980-CARI-PVC-CP	77.05
-----------------	-------

*Other Finishes:*

AP 125.00	BS 86.35	NP 107.75
BB 128.55	BZ 96.55	PB 108.00
BN 87.70	CB 112.15	WH 86.35
		WI 107.75

Most Tubs up to 36" Deep

Part Number Cost

990-CARI-PVC-CP	83.65
-----------------	-------

*Other Finishes:*

AP 135.00	BS 92.90	NP 114.35
BB 139.50	BZ 96.65	PB 114.60
BN 94.30	CB 118.75	WH 92.90
		WI 114.35

### +PLUS+ Stopper/Face Plate

SF - Stopper/Faceplate  
For All Innovator Cable  
Models Not a Trim Kit - No  
Strainer Body

Part Number Cost

928-CASF-CP	39.80
-------------	-------

*Other Finishes:*

AP 147.05	BS 54.60	NP 102.10
BB 97.40	BZ 63.00	PB 102.10
BN 61.05	CB 103.75	WH 54.60
		WI 103.20

To quickly change the finish of the roughed-in strainer body,  
order the 928-CASF (above) with the Watco QuickTrim®  
strainer body cover and o-ring. Simply snaps over the existing  
strainer body.  
Order below.

QuickTrim®

Strainer Body Cover and O-Ring

Part Number Cost

928-CASF-CPQ	45.30
--------------	-------

*Other Finishes:*

APQ 160.80	BSQ 72.70	NPQ 134.30
BBQ 141.70	BZQ 74.85	PBQ 139.85
BNQ 69.10	CBQ 111.35	WHQ 67.00
		WIQ 129.45



WATCO



# Innovator Cable® Half Kit

(Solvent-Weld Assembly • Built-In Testing • Coarse Thread: 11.5 tpi)

## Innovator Cable®

### Fully-Testable Cable Half Kits!

- Fully repairable from inside the tub.
- Overflow installs in minutes.
- Self-centering, aligning, and self-sealing overflow.
- Positive mechanical stop stays open in deep water.

Schedule 40 Fittings, **ABS** and **PVC**

Add \$1.00  
for ABS Fittings

12 Per Carton

## BATH WASTE HALF KIT

COMPLETE BATH WASTE KIT

Complete Bath Wastes Most Tubs up to 16" Deep			
	Part Number	Cost	
	971-CA-PVC-CP	<b>98.95</b>	

Other Finishes:			
AP	235.75	BS	123.00
BB	208.05	BZ	135.15
BN	130.85	CB	198.00
		NP	191.95
		PB	192.15
		WH	123.00
		WI	193.10

Most Tubs up to 24" Deep			
	Part Number	Cost	
	981-CA-PVC-CP	<b>100.60</b>	

Other Finishes:			
AP	237.75	BS	124.65
BB	209.65	BZ	136.75
BN	132.50	CB	199.65
		NP	193.55
		PB	193.80
		WH	124.65
		WI	194.75

Most Tubs up to 36" Deep			
	Part Number	Cost	
	991-CA-PVC-CP	<b>101.85</b>	

Other Finishes:			
AP	239.75	BS	125.90
BB	210.90	BZ	138.00
BN	133.75	CB	200.90
		NP	194.80
		PB	195.05
		WH	125.85
		WI	196.00

### Example Product #:

**981** — **CA** — **PVC** — **AP** — **\*\*\***  
Series #Tub Closure Material Finish Option

### To order the ADA Handle separately



To order bath waste with the ADA Handle included, see page 11.

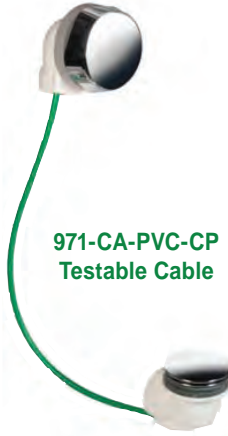
92874-CP 17.05

AP	52.70	BS	26.25	NP	53.50
BB	23.05	BZ	34.65	PB	37.75
BN	21.20	CB	37.75	WH	33.90



### To Order with the Theft-Resistant Device Add \$1.80

Add "-TR" to cable part number.  
Example: 938-CA-PVC-BZ-TR



971-CA-PVC-CP  
Testable Cable

**971-CA** (21" cable)

Fits most tubs up to 16" deep

**981-CA** (34" cable)

Fits most tubs up to 24" deep

**991-CA** (48" cable)

Fits most tubs up to 36" deep

Patented and Patents Pending  
See watcomfg.com for details.

### ROUGH IN

Fittings - Tubing - Strainer Most Tubs up to 16" Deep			
	Part Number	Cost	
	971-CARI-PVC-CP	<b>59.20</b>	

Other Finishes:			
AP	105.55	BS	68.40
BB	110.65	BZ	72.10
BN	69.80	CB	94.25
		NP	86.65
		PB	86.80
		WH	68.40
		WI	83.85

Most Tubs up to 24" Deep			
	Part Number	Cost	
	981-CARI-PVC-CP	<b>60.75</b>	

Other Finishes:			
AP	107.00	BS	70.05
BB	112.25	BZ	73.75
BN	71.40	CB	95.85
		NP	88.65
		PB	88.80
		WH	70.05
		WI	85.85

Most Tubs up to 36" Deep			
	Part Number	Cost	
	991-CARI-PVC-CP	<b>62.00</b>	

Other Finishes:			
AP	108.15	BS	71.30
BB	113.50	BZ	74.45
BN	72.65	CB	96.05
		NP	90.65
		PB	90.80
		WH	71.30
		WI	87.85

### +PLUS+ Stopper/Face Plate

SF - Stopper/Faceplate  
For All Innovator Cable Models  
Not a Trim Kit - No Strainer Body

	Part Number	Cost	
	928-CASF-CP	<b>39.80</b>	
AP	147.05	BS	54.60
BB	97.40	BZ	63.00
BN	61.05	CB	103.75
		NP	102.10
		PB	102.10
		WH	54.60
		WI	103.20

To quickly change the finish of the roughed-in strainer body, order the 928-CASF (above) with the Watco QuickTrim® strainer body cover and o-ring. Simply snaps over the existing strainer body.  
Order below.

### QuickTrim®

Strainer Body Cover and O-Ring			
	Part Number	Cost	
	928-CASF-CPQ	<b>45.30</b>	



Other Finishes:			
APQ	160.80	BSQ	72.70
BBQ	141.70	BZQ	74.85
BNQ	69.10	CBQ	111.35
		NPQ	134.30
		PBQ	139.85
		WHQ	67.00
		WIQ	129.45



# Innovator Cable® with ADA Handle

(Solvent-Weld Assembly • Built-In Testing • Coarse Thread: 11.5 tpi)



928  
938  
948



970  
980  
990



971  
981  
991

928-CA-PVC-CPAD	114.20
928-CA-PVC-APAD	277.85
928-CA-PVC-BBAD	214.50
928-CA-PVC-BNAD	144.50
928-CA-PVC-BSAD	138.25
928-CA-PVC-BZAD	161.50
928-CA-PVC-CBAD	223.00
928-CA-PVC-NPAD	233.40
928-CA-PVC-PBAD	218.80
928-CA-PVC-WHAD	148.40
938-CA-PVC-CPAD	123.50
938-CA-PVC-APAD	287.15
938-CA-PVC-BBAD	223.80
938-CA-PVC-BNAD	153.80
938-CA-PVC-BSAD	147.55
938-CA-PVC-BZAD	170.75
938-CA-PVC-CBAD	232.25
938-CA-PVC-NPAD	242.70
938-CA-PVC-PBAD	228.10
938-CA-PVC-WHAD	157.70
948-CA-PVC-CPAD	132.95
948-CA-PVC-APAD	296.60
948-CA-PVC-BBAD	233.30
948-CA-PVC-BNAD	163.25
948-CA-PVC-BSAD	157.00
948-CA-PVC-BZAD	180.25
948-CA-PVC-CBAD	241.75
948-CA-PVC-NPAD	252.20
948-CA-PVC-PBAD	237.55
948-CA-PVC-WHAD	167.15

970-CA- * -CPAD	110.55
970-CA- * -APAD	245.50
970-CA- * -BBAD	200.60
970-CA- * -BNAD	140.85
970-CA- * -BSAD	134.60
970-CA- * -BZAD	157.80
970-CA- * -CBAD	219.30
970-CA- * -NPAD	229.75
970-CA- * -PBAD	215.15
970-CA- * -WHAD	144.75
980-CA- * -CPAD	117.25
980-CA- * -APAD	280.90
980-CA- * -BBAD	217.55
980-CA- * -BNAD	147.55
980-CA- * -BSAD	141.30
980-CA- * -BZAD	164.55
980-CA- * -CBAD	218.00
980-CA- * -NPAD	236.45
980-CA- * -PBAD	221.85
980-CA- * -WHAD	151.45
990-CA- * -CPAD	123.30
990-CA- * -APAD	286.95
990-CA- * -BBAD	223.60
990-CA- * -BNAD	153.60
990-CA- * -BSAD	147.35
990-CA- * -BZAD	170.60
990-CA- * -CBAD	232.05
990-CA- * -NPAD	242.50
990-CA- * -PBAD	227.90
990-CA- * -WHAD	157.50

971-CA- * -CPAD	100.80
971-CA- * -APAD	264.45
971-CA- * -BBAD	201.10
971-CA- * -BNAD	131.10
971-CA- * -BSAD	124.85
971-CA- * -BZAD	148.10
971-CA- * -CBAD	209.60
971-CA- * -NPAD	220.00
971-CA- * -PBAD	205.40
971-CA- * -WHAD	112.85
981-CA- * -CPAD	102.30
981-CA- * -APAD	265.95
981-CA- * -BBAD	202.60
981-CA- * -BNAD	132.60
981-CA- * -BSAD	126.35
981-CA- * -BZAD	149.60
981-CA- * -CBAD	211.05
981-CA- * -NPAD	177.55
981-CA- * -PBAD	206.90
981-CA- * -WHAD	136.50
991-CA- * -CPAD	103.45
991-CA- * -APAD	267.10
991-CA- * -BBAD	203.75
991-CA- * -BNAD	133.75
991-CA- * -BSAD	127.50
991-CA- * -BZAD	150.75
991-CA- * -CBAD	212.20
991-CA- * -NPAD	222.65
991-CA- * -PBAD	31.70
991-CA- * -WHAD	137.60
928-CASF-CPAD	50.70
928-CASF-APAD	173.20
928-CASF-BBAD	108.55
928-CASF-BNAD	73.10
928-CASF-BSAD	67.70
928-CASF-BZAD	89.35
928-CASF-CBAD	134.25
928-CASF-NPAD	150.00
928-CASF-PBAD	133.80
928-CASF-WHAD	78.75

## To Order an Innovator Cable® Bath Waste or Half Kit with ADA Handle



Determine bath waste or half kit desired from the previous three pages and find same part number below with "AD" added to part number. Order that part number, using the price indicated with that item.

\* Indicate ABS or PVC



# Innovator® 900 Series Complete

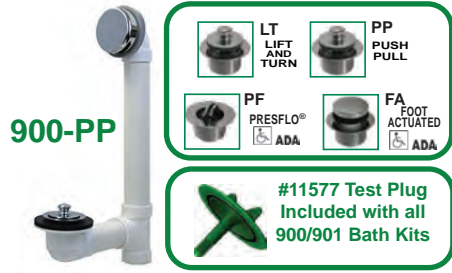
(Built-In Testing • Snap-On Overflow Plate • Solvent Weld Assembly • Coarse Thread: 11.5 tpi)

## 900 Innovator® Complete Bath Wastes

Fits most tubs up to 16" deep  
ABS and PVC

Add \$.80  
for ABS Fittings

12 Per Carton



**COMPLETE BATH WASTE KIT**

Most Tubs up to 16" Deep

Part Number	Cost
900-LT-PVC-CP	33.30
900-PP-PVC-CP	40.65
900-PF-PVC-CP	38.55
PF: NOT in BO-BS-WH	
900-FA-PVC-CP	33.30
FA: BB-BN-BZ-CB-CP-NP-PB-WI-WH	

**ROUGH IN**

900 RI (Rough-IN) Up to 16"

Part Number	Cost
900-LTRI-PVC-CP	23.95
900-PPRI-PVC-CP	28.55
900-PFRI-PVC-CP	30.70
PF: NOT in BO-BS-WH	
900-FARI-PVC-CP	24.30
FA: BB-BN-BZ-CB-CP-NP-PB-WI-WH	

**+PLUS+ Stopper/Face Plate**

900- Series SF

Part Number	Cost
900-LTSF-0-CP	9.75
900-PPSF-0-CP	12.85
900-PFSF-0-CP	8.55
PF: NOT in BO-BS-WH	
900-FASF-0-CP	9.75
FA: BB-BN-BZ-CB-CP-NP-PB-WI-WH	

**Other Finishes:**

AP 137.50	BS 85.35	PB 76.15
BB 96.15	BZ 70.75	WH 69.35
BN 62.85	CB 104.90	WI 79.35
BO 85.35	NP 92.60	

AP 75.05	BS 48.50	PB 43.85
BB 46.15	BZ 41.85	WH 36.60
BN 40.70	CB 59.65	WI 41.00
BO 45.60	NP 45.25	

AP 62.35	BS 36.90	PB 32.30
BB 47.95	BZ 28.90	WH 32.75
BN 24.15	CB 45.25	WI 38.35
BO 39.75	NP 47.35	

(Built-In Testing • Snap-On Overflow Plate • Solvent Weld Assembly • Coarse Thread: 11.5 tpi)

## 920 Innovator® Chrome Only

ABS Stopper and Knob  
Brass Strainer Body  
ABS and PVC

Add \$.80  
for ABS Fittings



**COMPLETE BATH WASTE KIT**

920 PP Bath Wastes

Part Number	Cost
920-PP-PVC-CP	34.30

**ROUGH IN**

920 RI (Rough-IN)

Part Number	Cost
921-PPSF-0-CP	9.35

**+PLUS+ Stopper/Face Plate**

921 - Stopper/Faceplate

Part Number	Cost
920-PPRI-PVC-CP	24.10

(Snap-On Overflow Plate • Solvent Weld Assembly • Fine Thread: 16 tpi)

## 940 Innovator® Plus

Complete Bath Wastes  
Fits most tubs up to 16" deep  
ABS and PVC - FINE THREAD

Add \$.80  
for ABS Fittings

12 Per Carton



**COMPLETE BATH WASTE KIT**

Most Tubs up to 16" Deep

Part Number	Cost
940-LT-PVC-CP	47.40
940-PP-PVC-CP	52.45
940-PF-PVC-CP	52.30
PF: NOT in BO-BS-WH	
940-FA-PVC-CP	46.60
FA: BB-BN-BZ-CB-CP-NP-PB-WI	

**ROUGH IN**

940 RI (Rough-IN) Up to 16"

Part Number	Cost
940-LTRI-PVC-CP	36.40
940-PPRI-PVC-CP	39.30
940-PFRI-PVC-CP	39.30
PF: NOT in BO-BS-WH	
940-FARI-PVC-CP	36.40
FA: BB-BN-BZ-CB-CP-NP-PB-WI-WH	

**+PLUS+ Stopper/Face plate**

900- Series SF

Part Number	Cost
900-LTSF-0-CP	9.75
900-PPSF-0-CP	12.85
900-PFSF-0-CP	8.55
PF: NOT in BO-BS-WH	
900-FASF-0-CP	9.75
FA: BB-BN-BZ-CB-CP-NP-PB-WI-WH	

**Other Finishes:**

AP 148.85	BS 97.35	PB 100.00
BB 110.15	BZ 79.00	WH 80.40
BN 78.00	CB 130.00	WI 90.00
BO 97.35	NP 108.30	

AP 89.80	BS 60.45	PB 67.70
BB 57.90	BZ 50.10	WH 48.90
BN 55.85	CB 84.75	WI 51.65
BO 57.55	NP 62.65	

AP 62.35	BS 36.90	PB 32.30
BB 47.95	BZ 28.90	WH 32.75
BN 24.15	CB 45.25	WI 38.35
BO 39.75	NP 47.35	



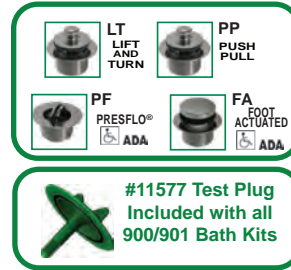
# Innovator® 900 Series Half Kit

(Built-In Testing • Snap-On Overflow Plate • Solvent Weld Assembly • Coarse Thread: 11.5 tpi)



Innovator® 900 Series

## 901 Innovator® Bath Waste Half Kits ABS and PVC



WITH OPTIONAL OVERFLOW COVER  
Fits Kohler's Tea-for-Two tub.  
  
900-\_\_-\_\_-CP-T42 Call  
BN-BZ-CB-NP-PB..... Call

Add \$.80  
for ABS Fittings

12 Per Carton

### 901-PP

ROUGH IN

**+PLUS+ Stopper/Face plate**

COMPLETE BATH WASTE HALF KIT

Most Tubs up to 16" Deep	
Part Number	Cost
901-LT-PVC-CP	24.00
901-PP-PVC-CP	31.35
901-PF-PVC-CP	29.25
PF: NOT in BO-BS-WH	
901-FA-PVC-CP	24.00
FA: BB-BN-BZ-CB-CP-NP-PB-WI	

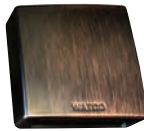
901 RI (Rough-IN)	
Part Number	Cost
901-LTRI-PVC-CP	14.25
901-PPRI-PVC-CP	18.50
901-PFRI-PVC-CP	20.25
PF: NOT in BO-BS-WH	
901-FARI-PVC-CP	14.25
FA: BB-BN-BZ-CB-CP-NP-PB-WI	

900- Series SF	
Part Number	Cost
900-LTSF-0-CP	9.75
900-PPSF-0-CP	12.85
900-PFSF-0-CP	8.55
PF: NOT in BO-BS-WH	
900-FASF-0-CP	9.75
FA: BB-BN-BZ-CB-CP-NP-PB-WI	

Other Finishes:

AP 128.20	BS 76.05	PB 66.85	AP 65.75	BS 39.20	PB 34.55	AP 62.35	BS 36.90	PB 32.30
BB 86.05	BZ 61.45	WH 67.25	BB 33.80	BZ 32.55	WH 34.55	BB 47.95	BZ 28.90	WH 32.75
BN 53.55	CB 95.60	WI 67.95	BN 29.45	CB 50.35	WI 31.70	BN 24.15	CB 45.25	WI 38.35
BO 76.05	NP 83.30		BO 36.30	NP 35.95		BO 39.75	NP 47.35	

## Square Overflow Faceplate



Finish	Add
CP	+10.00
BN/BZ/WI	+15.00

(Built-In Testing • Snap-On Overflow Plate • Solvent Weld Assembly • Coarse Thread: 11.5 tpi)

## 921 / 951 Innovator®

ABS Stopper and Knob

921 Chrome Only  
with Brass Strainer Body

951 Chrome Only  
with Zinc Strainer Body

ABS or PVC

COMPLETE BATH WASTE HALF KIT

921 / 951 PP Half Kits	
Part Number	Cost
921-PP-PVC-CP	27.50
951-PP-PVC-CP	23.00
951-PP1-PVC-CP	21.60

Add \$.80  
for ABS Fittings

12 Per Carton

\*PP1= Plastic Pin

ROUGH IN

**+PLUS+ Stopper/Face plate**



921/951 RI: Rough-In	
Part Number	Cost
921-PPRI-PVC-CP	18.50
951-PPRI-PVC-CP	14.25
951-PPRI-PVC-CP	14.25

921/951 Series	
Part Number	Cost
921-PPSF-0-CP	9.35
951-PPSF-0-CP	9.35
900SF-PP1-CP	7.80



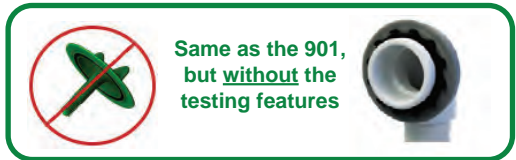
# Innovator® 900 Series Half Kit

(Built-In Testing • Snap-On Overflow Plate • Solvent Weld Assembly • Coarse Thread: 11.5 tpi)

## 902 Innovator® Bath Wastes Half Kits NO Testing ABS and PVC



902-PP



Same as the 901, but without the testing features

Comes with overflow and drain elbows, overflow plate assembly, and tub closure; no pipe or tee

Add \$.80  
for ABS Fittings

12 Per Carton

**COMPLETE BATH WASTE HALF KIT**

Most Tubs up to 16" Deep	
Part Number	Cost
902-LT-PVC-CP	21.85
902-PP-PVC-CP	29.20
902-PF-PVC-CP	27.10
PF: NOT in BO-BS-WH	
902-FA-PVC-CP	21.85
FA: BB-BN-BZ-CB-CP-NP-PB-WI	

**ROUGH IN**

902 RI (Rough-IN) Up to 16"	
Part Number	Cost
902-LTRI-PVC-CP	12.10
902-PPRI-PVC-CP	17.30
902-PFRI-PVC-CP	18.15
PF: NOT in BO-BS-WH	
902-FARI-PVC-CP	12.10
FA: BB-BN-BZ-CB-CP-NP-PB-WI	

**+PLUS+ Stopper/Face plate**

900- Series SF	
Part Number	Cost
900-LTSF-0-CP	9.75
900-PPSF-0-CP	12.85
900-PFSF-0-CP	8.55
PF: NOT in BO-BS-WH	
900-FASF-0-CP	9.75
FA: BB-BN-BZ-CB-CP-NP-PB-WI-WH	

**Other Finishes:**

AP 126.05	BS 73.90	PB 64.70
BB 83.90	BZ 59.30	WH 65.25
BN 51.40	CB 93.60	WI 65.95
BO 73.90	NP 81.15	

AP 63.75	BS 37.05	PB 32.40
BB 31.60	BZ 30.40	WH 32.55
BN 27.45	CB 48.40	WI 29.55
BO 34.15	NP 33.80	

AP 62.35	BS 36.90	PB 32.30
BB 47.95	BZ 28.90	WH 32.75
BN 24.15	CB 45.25	WI 38.35
BO 39.75	NP 47.35	

(Snap-On Overflow Plate • Solvent Weld Assembly • Fine Thread: 16 tpi)

## 941 Innovator® Plus Half Kits / Fine Threads ABS or PVC



941-LT

Add \$.80  
for ABS Fittings

12 Per Carton

**COMPLETE BATH WASTE HALF KIT**

941: Bath Waste Half Kits	
Part Number	Cost
941-LT-PVC-CP	36.50
941-PP-PVC-CP	41.80
941-PF-PVC-CP	40.70
PF: NOT in BO-BS-WH	
941-FA-PVC-CP	36.15
FA: BB-BN-BZ-CB-CP-NP-PB-WI	

**ROUGH IN**

941: RI (Rough-IN)	
Part Number	Cost
941-LTRI-PVC-CP	26.30
941-PPRI-PVC-CP	28.65
941-PFRI-PVC-CP	28.55
PF: NOT in BO-BS-WH	
941-FARI-PVC-CP	26.30
FA: BB-BN-BZ-CB-CP-NP-PB-WI	

**+PLUS+ Stopper/Face plate**

900- Series SF	
Part Number	Cost
900-LTSF-0-CP	9.75
900-PPSF-0-CP	12.85
900-PFSF-0-CP	11.55
PF: NOT in BO-BS-WH	
900-FASF-0-CP	9.75
FA: BB-BN-BZ-CB-CP-NP-PB-WI-WH	

**Other Finishes:**

AP 139.55	BS 85.00	PB 77.40
BB 97.65	BZ 65.10	WH 69.00
BN 68.00	CB 96.65	WI 76.35
BO 85.00	NP 89.70	

AP 78.40	BS 48.00	PB 45.95
BB 45.40	BZ 36.20	WH 39.50
BN 45.85	CB 56.05	WI 40.10
BO 45.25	NP 46.15	

AP 62.35	BS 36.90	PB 32.30
BB 47.95	BZ 28.90	WH 32.75
BN 24.15	CB 45.25	WI 38.35
BO 39.75	NP 47.35	



# Innovator® 900 Series Half Kits

(Built-In Testing • Snap-On Overflow Plate • Solvent Weld Assembly • Coarse Thread: 11.5 tpi)



## Innovator® Half Kits with Adapters 915 HUB ADAPTER

Add \$.80  
for ABS Fittings

## 918 SPIGOT - PVC ONLY

## 917 DRAIN TEE



915 Half Kits with Hub Adapter ABS & PVC	
Part Number	Cost
915-LT-PVC-CP	31.75
915-PP-PVC-CP	39.85
915-PF-PVC-CP	35.65
PF: NOT in BO-BS-WH	
915-FA-PVC-CP	31.75
FA: BB-BN-BZ-CB-CP-NP-PB-WI	

AP	134.95	CB	89.80
BB	88.85	NP	85.60
BN	68.20	PB	76.10
BO	78.60	WH	58.50
BS	78.60	WI	70.90
BZ	68.20		

918 Half Kits with Spigot Adapter - PVC Only	
Part Number	Cost
918-LT-PVC-CP	31.75
918-PP-PVC-CP	39.85
918-PF-PVC-CP	35.65
PF: NOT in BO-BS-WH	
918-FA-PVC-CP	31.75
FA: BB-BN-BZ-CB-CP-NP-PB-WI	

AP	134.95	CB	89.80
BB	88.85	NP	85.60
BN	68.20	PB	76.10
BO	78.60	WH	58.50
BS	78.60	WI	70.90
BZ	68.20		

917 Half Kits with Direct Drain Tee - ABS & PVC	
Part Number	Cost
917-LT-PVC-CP	31.75
917-PP-PVC-CP	39.85
917-PF-PVC-CP	35.65
PF: NOT in BO-BS-WH	
917-FA-PVC-CP	31.75
FA: BB-BN-BZ-CB-CP-NP-PB-WI	

AP	134.95	CB	89.80
BB	88.85	NP	85.60
BN	68.20	PB	76.10
BO	78.60	WH	58.50
BS	78.60	WI	70.90
BZ	68.20		

## QuickTrim® Kits

Install chrome on the rough-in and easily upgrade to a special finish without removing the strainer body! See pages 48-49.

- No reduction in flow rate.
- Produces very little additional height or inside-diameter reduction.
- Uses an o-ring for a tight, snug fit (one for brass strainer bodies and one for zinc strainer bodies).
- Eliminates destroying the integrity of your test and the possibility of cross-threading or damaging the tub when replacing the strainer body.



Innovator® QuickTrim® Kits  
Page 48



Innovator® Trim Kits  
Pages 50 & 51



Coarse-Thread Tub Closures  
Page 54



Replacement Stoppers  
Pages 54

# Schedule 40

Patented and Patents Pending  
See watcomfg.com for details.

# Innovator® Drain Series

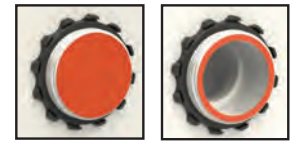
Built-In Testing • Snap-On Overflow Plate • Solvent Weld Assembly • Coarse Thread: 11.5 tpi

## 900N Innovator® Drain

### Complete Bath Wastes

Fits most tubs up to 16" deep

**PP1 = Plastic Pin**  
**PP2 = Brass Pin**



Overflow Elbow Test Membrane  
**REMOVE AFTER TESTING**



Drain Elbow Test Membrane  
**REMOVE AFTER TESTING**

12 Per Carton

Complete Bath Wastes Plastic PIN	
Part Number	Cost
900N-PP1-PVC-WH	34.25
White knob, stopper, and overflow	
900N-PP1-PVC-BS	34.70
Biscuit knob, stopper, and overflow	
900N-PP1-PVC-CP-QTP	38.90
With Plastic QuickTrim® body, thick o-ring	

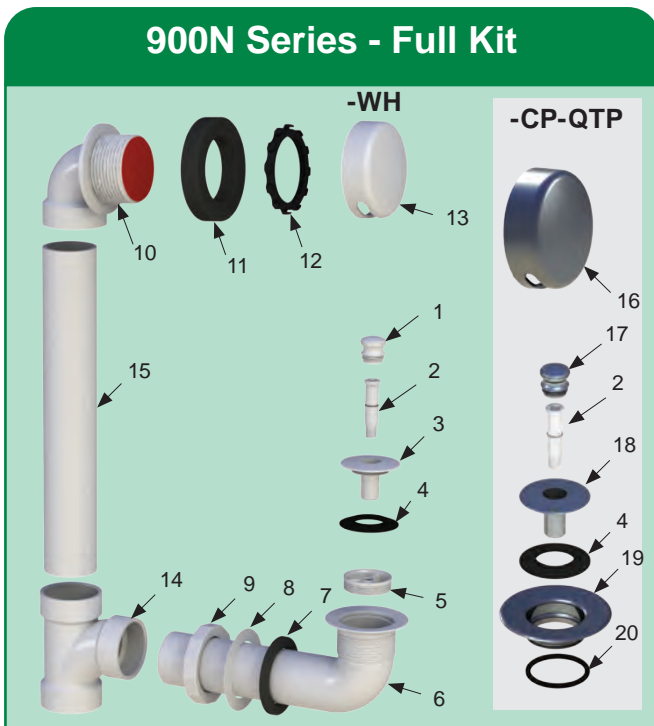
900NRI (Rough-IN) Up to 16" Fittings - BuILT-In Body	
Part Number	Cost
900NRI-PVC	28.80
900NRI-PVC-BS	28.80
900NRI-ABS	28.80

900NSF-SERIES STOPPER/FACE-PLATE PLASTIC PIN	
Part Number	Cost
900NSF-PP1-WH	5.45
White knob, stopper, and overflow	
900NSF-PP1-BS	5.55
Biscuit knob, stopper, and overflow	
900NSF-PP1-CP-QTP	11.35
With Plastic QuickTrim® body, thick o-ring	

Complete Bath Wastes Brass PIN	
Part Number	Cost
900N-PP2-PVC-WH	35.85
White knob, stopper, and overflow	
900N-PP2-PVC-BS	36.70
Biscuit knob, stopper, and overflow	
900N-PP2-PVC-CP-QTP	40.55
With Plastic QuickTrim® body, thick o-ring	

900NRI (Rough-IN) Up to 16" Fittings - BuILT-In Body	
Part Number	Cost
900NRI-PVC	28.80
900NRI-PVC-BS	28.80
900NRI-ABS	28.80

900NSF-SERIES STOPPER/FACE-PLATE BRASS PIN	
Part Number	Cost
900NSF-PP2-WH	7.10
White knob, stopper, and overflow	
900NSF-PP2-BS	7.50
Biscuit knob, stopper, and overflow	
900NSF-PP2-CP-QTP	11.85
With Plastic QuickTrim® body, thick o-ring	



ITEM	PART#	DESCRIPTION	COST
1	11307WH	Plastic PP Knob - White	2.65
2	11515	Plastic Pin (11512) & Friction Ring (11504)	4.05
3	11290WH	Plastic Stopper - White	4.40
4	11507	Stopper Seal 1-1/16 Dia.	1.90
5	14013	Innovator® Drain Crossbar, removable	3.70
6	14007	Innovator® Drain Elbow-Long (PVC)	15.45
	11007	Innovator® Drain Elbow-Long (White ABS)	12.90
7	10691	Innovator® Drain Elbow Rubber Seal	2.75
8	10671	Innovator® Drain Elbow Slip Washer	1.85
9	11480	Innovator® Drain Elbow Retainer Nut	3.95
10	14020	Innovator® Overflow Elbow - Sch 40 PVC	4.90
	11020	Innovator® Overflow Elbow - Sch 40 ABS	5.05
11	10675	Overflow Elbow Gasket - Foam	2.30
12	11121	Retainer Star Nut for Innovator®	2.40
13	01005WH	Innovator® Faceplate - plastic - White	4.00
14	14010	Sanitary Tee - Sch 40 PVC	7.05
	14011	Sanitary Tee - Sch 40 ABS	7.15
15	SCHPVC-11.75	Schedule 40 PVC Pipe - 1.5" X 11.75"	3.50
	SCHABS-11.75	Schedule 40 ABS Pipe - 1.5" X 11.75"	5.75
16	01005CP	Innovator® Faceplate - plastic - Chrome Pl.	6.35
17	11307CP	UnNuFit Plastic Knob - Chrome Plated	3.35
18	11290CP	PP Stopper Plastic Chrome Plated	5.10
19	01053CP	QuickTrim® Plastic Strainer Body Cover	4.05
20	11138	QuickTrim® O-Ring - thick	1.70



# Schedule 40

Patented and Patents Pending  
See watcomfg.com for details.

# Innovator® Drain Series

Built-In Testing • Snap-On Overflow Plate • Solvent Weld Assembly • Coarse Thread: 11.5 tpi

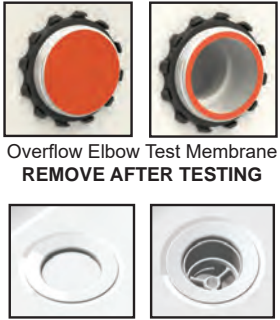
## 901N Innovator® Drain

### Bath Waste Half Kits

**PP1 = Plastic Pin**  
**PP2 = Brass Pin**



White ABS  
Drain Elbow



Overflow Elbow Test Membrane  
**REMOVE AFTER TESTING**

Drain Elbow Test Membrane  
**REMOVE AFTER TESTING**

12 Per Carton

HALF KITS PLASTIC PIN	
Part Number	Cost
901N-PP1-PVC-WH	23.35
White knob, stopper, and overflow	
901N-PP1-PVC-BS	23.80
Biscuit knob, stopper, and overflow	
901N-PP1-PVC-CP-QTP	31.40
With Plastic QuickTrim® body, thick o-ring	

901NRI (Rough-IN) Fittings - Built -In Body	
Part Number	Cost
901NRI-PVC	17.95
901NRI-PVC-BS	18.25
901NRI-ABS	18.75

900NSF-SERIES STOPPER/FACEPLATE PLASTIC PIN	
Part Number	Cost
900NSF-PP1-WH	5.45
White knob, stopper, and overflow	
900NSF-PP1-BS	5.55
Biscuit knob, stopper, and overflow	
900NSF-PP1-CP-QTP	11.35
With Plastic QuickTrim® body, thick o-ring	

HALF KITS BRASS PIN	
Part Number	Cost
901N-PP2-PVC-WH	24.95
White knob, stopper, and overflow	
901N-PP2-PVC-BS	25.80
Biscuit knob, stopper, and overflow	
901N-PP2-PVC-CP-QTP	29.70
With Plastic QuickTrim® body, thick o-ring	

901NRI (Rough-IN) Fittings - Built -In Body	
Part Number	Cost
901NRI-PVC	17.95
901NRI-PVC-BS	18.25
901NRI-ABS	18.75

900NSF-SERIES STOPPER/FACEPLATE BRASS PIN	
Part Number	Cost
900NSF-PP2-WH	7.10
White knob, stopper, and overflow	
900NSF-PP2-BS	7.50
Biscuit knob, stopper, and overflow	
900NSF-PP2-CP-QTP	11.85
With Plastic QuickTrim® body, thick o-ring	



ITEM	PART#	DESCRIPTION	COST
1	11307WH	Plastic PP Knob - White	2.65
2	11515	Plastic Pin (11512) & Friction Ring (11504)	4.05
3	11290WH	Plastic Stopper - White	4.40
4	11507	Stopper Seal 1-1/16 Dia.	1.90
5	14013	Innovator® Drain Crossbar, removable	3.70
6	14007	Innovator® Drain Elbow-Long (PVC)	15.45
6	11007	Innovator® Drain Elbow-Long (White ABS)	12.90
7	10691	Innovator® Drain Elbow Rubber Seal	2.75
8	10671	Innovator® Drain Elbow Slip Washer	1.85
9	11480	Innovator® Drain Elbow Retainer Nut	3.95
10	14020	Innovator® Overflow Elbow - Sch 40 PVC	4.90
10	11020	Innovator® Overflow Elbow - Sch 40 ABS	5.05
11	10675	Overflow Elbow Gasket - Foam	2.30
12	11121	Retainer Star Nut for Innovator®	2.40
13	01005WH	Innovator® Faceplate - plastic - White	4.00
16	01005CP	Innovator® Faceplate - plastic - Chrome Pl.	6.35
17	11307CP	UnNuFit Plastic Knob - Chrome Plated	3.35
18	11290CP	PP Stopper - Plastic - Chrome Plated	5.10
19	01050HP	QuickTrim® Plastic Strainer Body Cover	7.75
20	11138	QuickTrim® O-Ring - thick	1.70

# Schedule 40

Patented and Patents Pending  
See watcomfg.com for details.

# Innovator® Drain Series

Built-In Testing • Snap-On Overflow Plate • Solvent Weld Assembly • Coarse Thread: 11.5 tpi

## Flex916N Innovator® Drain

Complete Bath Wastes  
PVC only



FLEX916N-PP1

PP1 = Plastic Pin  
PP2 = Brass Pin



Overflow Elbow Test Membrane  
REMOVE AFTER TESTING

Drain Elbow Test Membrane  
REMOVE AFTER TESTING

To order the Flex916N or Flex924N without a Sanitary Tee, add “-NTEE” to part number.  
Example:  
**FLEX916N-PP-PVC-WH-NTEE**  
Subtract \$4.85 from list price of product ordered.

Fits most tubs up to 16” deep

12 Per Carton

FLEX916N BATH WASTES - TUBS TO 16” PLASTIC PIN	
Part Number	Cost
FLEX916N-PP1-PVC-WH	37.50
White knob, stopper, and overflow	
FLEX916N-PP1-PVC-BS	38.20
Biscuit knob, stopper, and overflow	
FLEX916N-PP1-PVC-CP-QTP	42.15
With Plastic QuickTrim® body, thick o-ring	

FLEX916NRI ROUGH-IN FITTINGS - TUBING - BUILT-IN BODY	
Part Number	Cost
FLEX916NRI-PVC	32.05
FLEX916NRI-PVC-BS	32.05

900NSF-SERIES STOPPER/FACE-PLATE PLASTIC PIN	
Part Number	Cost
900NSF-PP1-WH	5.45
White knob, stopper, and overflow	
900NSF-PP1-BS	5.55
Biscuit knob, stopper, and overflow	
900NSF-PP1-CP-QTP	11.35
With Plastic QuickTrim® body, thick o-ring	

FLEX916N BATH WASTES - TUBS TO 16” BRASS PIN	
Part Number	Cost
FLEX916N-PP2-PVC-WH	39.15
White knob, stopper, and overflow	
FLEX916N-PP2-PVC-BS	40.15
Biscuit knob, stopper, and overflow	
FLEX916N-PP2-PVC-CP-QTP	43.80
With Plastic QuickTrim® body, thick o-ring	

FLEX916NRI ROUGH-IN FITTINGS - TUBING - BUILT-IN BODY	
Part Number	Cost
FLEX916NRI-PVC	32.05
FLEX916NRI-PVC-BS	32.05

900NSF-SERIES STOPPER/FACE-PLATE BRASS PIN	
Part Number	Cost
900NSF-PP2-WH	7.10
White knob, stopper, and overflow	
900NSF-PP2-BS	7.50
Biscuit knob, stopper, and overflow	
900NSF-PP2-CP-QTP	11.85
With Plastic QuickTrim® body, thick o-ring	

## Flex924N Innovator® Drain

Complete Bath Wastes – PVC only

Fits most tubs up to 24” deep

12 PER CARTON

FLEX924N BATH WASTES - TUBS TO 24” PLASTIC PIN	
Part Number	Cost
FLEX924N-PP1-PVC-WH	43.45
White knob, stopper, and overflow	
FLEX924N-PP1-PVC-BS	44.25
Biscuit knob, stopper, and overflow	
FLEX924N-PP1-PVC-CP-QTP	48.10
With Plastic QuickTrim® body, thick o-ring	

FLEX924NRI ROUGH-IN FITTINGS - TUBING - BUILT-IN BODY	
Part Number	Cost
FLEX924NRI-PVC	38.45
FLEX924NRI-PVC-BS	38.45

900NSF-SERIES STOPPER/FACE-PLATE PLASTIC PIN	
Part Number	Cost
900NSF-PP1-WH	5.45
White knob, stopper, and overflow	
900NSF-PP1-BS	5.55
Biscuit knob, stopper, and overflow	
900NSF-PP1-CP-QTP	11.35
With Plastic QuickTrim® body, thick o-ring	

FLEX924N BATH WASTES - TUBS TO 24” BRASS PIN	
Part Number	Cost
FLEX924N-PP2-PVC-WH	45.05
White knob, stopper, and overflow	
FLEX924N-PP2-PVC-BS	46.20
Biscuit knob, stopper, and overflow	
FLEX924N-PP2-PVC-CP-QTP	49.75
With Plastic QuickTrim® body, thick o-ring	

FLEX924NRI ROUGH-IN FITTINGS - TUBING - BUILT-IN BODY	
Part Number	Cost
FLEX924NRI-PVC	38.45
FLEX924NRI-PVC-BS	38.45

900NSF-SERIES STOPPER/FACE-PLATE BRASS PIN	
Part Number	Cost
900NSF-PP2-WH	7.10
White knob, stopper, and overflow	
900NSF-PP2-BS	7.50
Biscuit knob, stopper, and overflow	
900NSF-PP2-CP-QTP	11.85
With Plastic QuickTrim® body, thick o-ring	



# Schedule 40

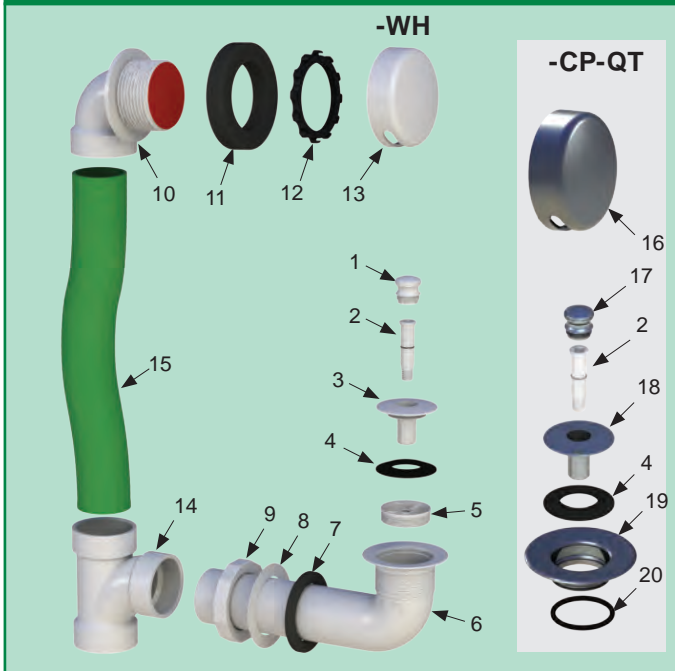
Patented and Patents Pending  
See watcomfg.com for details.

# Innovator® Drain Series

Built-In Testing • Snap-On Overflow Plate • Solvent Weld Assembly • Coarse Thread: 11.5 tpi

Innovator® Drain Specs

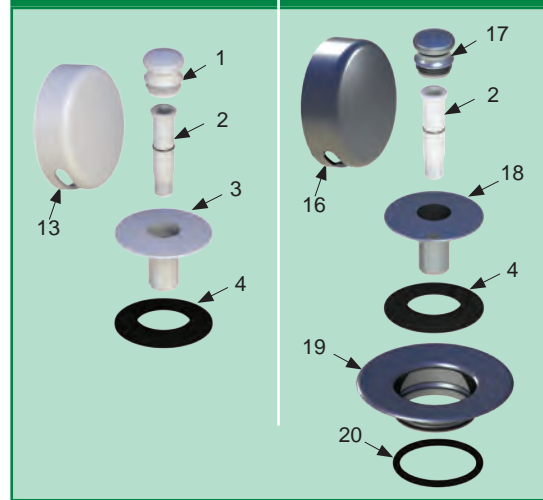
## FLEX916N Series-Full Kit FLEX924N Series-Full Kit Includes Flexible Pipe



## Finish Trim

900NSF-PP1-WH

900NSF-PP1-CP-QT



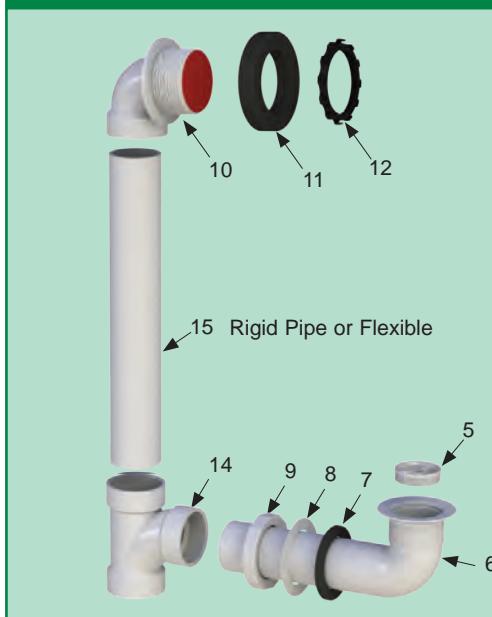
ITEM	PART#	DESCRIPTION	PRICE
1	11307WH	Plastic PP Knob - White	2.65
2	11515	Plastic Pin (11512) & Friction Ring (11504)	4.05
3	11290WH	Plastic Stopper - White	4.40
4	11507	Stopper Seal 1-1/16 Dia.	1.90
5	14013	Innovator® Drain Crossbar, removable	3.70
6	14007	Innovator® Drain Elbow-Long (PVC)	15.45
	11007	Innovator® Drain Elbow-Long (White ABS)	12.90
7	10691	Innovator® Drain Elbow Rubber Seal	2.75
8	10671	Innovator® Drain Elbow Slip Washer	1.85
9	11480	Innovator® Drain Elbow Retainer Nut	3.95
10	14020	Innovator® Overflow Elbow - Sch 40 PVC	4.90
	11020	Innovator® Overflow Elbow - Sch 40 ABS	5.05
11	10675	Overflow Elbow Gasket - Foam	2.30
12	11121	Retainer Star Nut for Innovator®	2.40
13	01005WH	Innovator® Faceplate - plastic - White	4.00
14	14010	Sanitary Tee - Sch 40 PVC	7.05
	14011	Sanitary Tee - Sch 40 ABS	7.15
15	Not Sold Separately	Flex916 Flexible Tubing 1.5" x 16" Flex924 Flexible Tubing 1.5" x 24"	
	SCHPVC-11.75	Schedule 40 PVC Pipe - 1.5" X 11.75"	3.50
	SCHABS-11.75	Schedule 40 ABS Pipe - 1.5" X 11.75"	5.75
16	01005CP	Innovator® Faceplate - plastic - Chrome Pl.	6.35
17	11307CP	UnNuFit Plastic Knob - Chrome Plated	3.35
18	11290CP	PP Stopper - Chrome Plated	5.10
19	01050HP	QuickTrim® Plastic Strainer Body Cover	7.75
20	11138	QuickTrim® O-Ring - thick	1.70

## Innovator® Drain Rough-In Kits

### Rough-In-Full Kit

(Does Not Include Finish Trim)

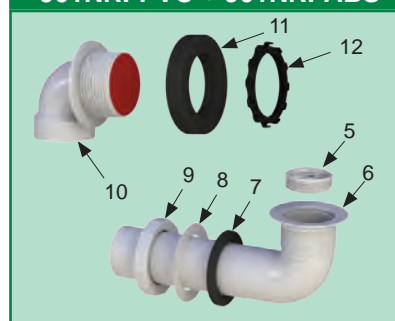
FLEX916NRI-PVC • FLEX924NRI-PVC  
900NRI-PVC • 900NRI-ABS



### Rough-In-Half Kit

(Does Not Include Finish Trim)

901NRI-PVC • 901NRI-ABS



**Innovator® Drain  
Replacement Stoppers  
on next page.**

# Schedule 40

Patented and Patents Pending  
See watcomfg.com for details.


# Innovator® Drain Series

Built-In Testing • Snap-On Overflow Plate • Solvent Weld Assembly • Coarse Thread: 11.5 tpi

## Innovator® Drain


### Replacement Stopper Assemblies

Plastic Knob and Stopper  
Plastic or Brass Pins

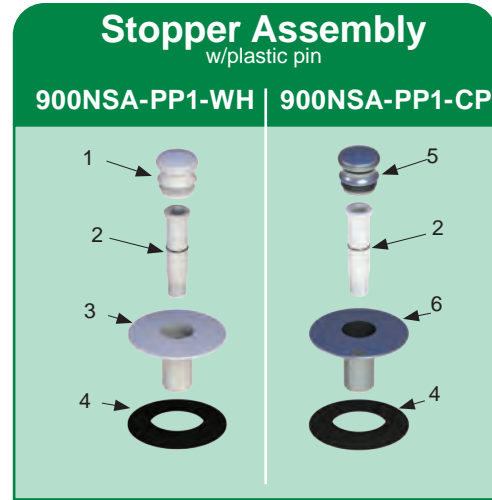


20 Per Carton

REPLACEMENT STOPPERS PLASTIC PIN	
Part Number	Cost
900NSA-PP1-WH	4.95
900NSA-PP1-BS	5.75
900NSA-PP1-CP	6.35



REPLACEMENT STOPPERS BRASS PIN	
Part Number	Cost
900NSA-PP2-WH	7.20
900NSA-PP2-BS	8.65
900NSA-PP2-CP	9.20



ITEM	PART#	DESCRIPTION	PRICE
1	11307WH	Plastic PP Knob - White	2.65
2	11515	Plastic Pin (11512) & Friction Ring (11504)	4.05
3	11290WH	Plastic Stopper - White	4.40
4	11507	Stopper Seal 1-1/16 Dia.	1.90
5	11307CP	UnNuFit Plastic Knob - Chrome Plated	3.35
6	11290CP	PP Stopper - Plastic - Chrome Plated	5.10

*Plastic QuickTrim® Kits in  
Chrome-CP, White-WH or Biscuit-BS.  
For all Watco® Strainers and Innovator® Drains.*

### QuickTrim® Kits



\*All Plastic Components

PLASTIC QUICKTRIM® KITS	
Part Number	Cost
900TK-PP1-QTP-CP	18.35
900TK-PP1-QTP-WH	18.35
900TK-PP1-QTP-BS	18.35

Comes With Plastic Strainer Body Cover



# Schedule 40

Patented and Patents Pending  
See watcomfg.com for details.

# Perfect Fit 400 Series

Adjustable Flange • Solvent Weld Assembly • Fine Thread 16 tpi • Schedule 40 TechNotes: page 74

## 400 Perfect Fit

Complete Bath Wastes

Fits most tubs up to 16" deep

ABS or PVC

FINE THREAD - 16 tpi

400-LT

Add \$.85  
for ABS Fittings

12 Per Carton



## 401 Perfect Fit+

Bath Waste Half Kits

ABS or PVC

FINE THREAD - 16 tpi



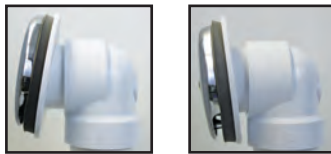
401-PP

Example Product #: 400 — FA — PVC — CP — \*\*\*  
Series Number Stopper Material Finish Option

### Patented Adjustable Flange

This patented, adjustable feature allows a tight-fitting overflow flange on a wide range of tub angles.

The only tool needed is a HAND! It TURNS, not pivots.



12 PER CARTON

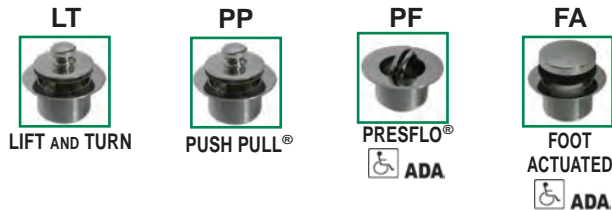
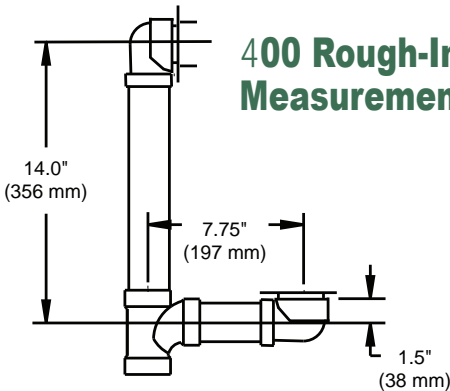
400: COMPLETE bath wastes	
Fits most tubs up to 16" deep:	
Part Number	Cost
400-LT-PVC-CP	49.65
400-PP-PVC-CP	54.35
400-PF-PVC-CP	54.60
PF: NOT in BO-BS-WH	
400-FA-PVC-CP	48.85
FA: BB-BN-BZ-CB-CP-NP-PB-WI	

401: COMPLETE bath wastes	
Part Number	Cost
401-LT-PVC-CP	37.70
401-PP-PVC-CP	43.95
401-PF-PVC-CP	42.65
PF: NOT in BO-BS-WH	
401-FA-PVC-CP	36.90
FA: BB-BN-BZ-CB-CP-NP-PB-WI	

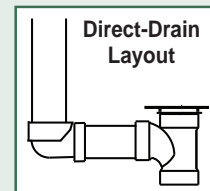
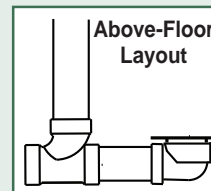
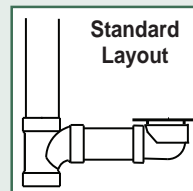
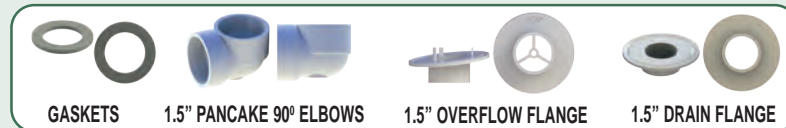
AP 148.95	BS 106.80	PB 100.10
BB 111.30	BZ 85.55	WH 85.95
BN 82.25	CB 130.25	WI 92.35
BO 106.80	NP 108.35	

AP 137.25	BS 99.90	PB 77.90
BB 99.65	BZ 66.25	WH 74.30
BN 69.10	CB 97.15	WI 77.25
BO 99.90	NP 91.25	

### 400 Rough-In Measurements



### THE SECRET TO PERFECT FIT'S PERFECT FIT...



### 400-401

#### Trim Kits

LT Trim Kit.....	58080-__
PP Trim Kit: ...	38080-__
PF Trim Kit:....	38260-__
FA Trim Kit:....	68080-__

#### Tub Closures

LT Tub Closure.....	58301-__
PP Tub Closure ....	38301-__
PF Tub Closure ....	38380-__
FA Tub Closure.....	68301-__

### 940-941

#### Trim Kits

LT Trim Kit.....	958080-__
PP Trim Kit: ...	938080-__
PF Trim Kit:....	938260-__
FA Trim Kit:....	968080-__

#### Tub Closures

LT Tub Closure.....	58301-__
PP Tub Closure ....	38301-__
PF Tub Closure ....	38380-__
FA Tub Closure.....	68301-__

FINE-THREAD TRIM KITS: PG 51; TUB CLOSURES: 55

# Schedule 40

Patented and Patents Pending  
See watcomfg.com for details.

# 600 Series

Solvent Weld Assembly • PVC or ABS • Coarse Thread 11.5 tpi • 1-Hole Faceplate (2-Hole available)

## 600

### Complete Bath Wastes

Fits most tubs up to  
16" deep

ABS or PVC

Add \$.80  
for ABS Fittings

12 Per Carton

600-PP



## 601

### Bath Waste Half Kits



600-SF

SF Kits have **No**  
strainer  
body.



601-LT

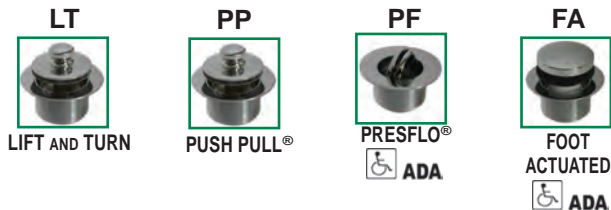
Example Product #: <sup>u</sup>600 — <sup>v</sup>PF — <sup>w</sup>PVC — <sup>x</sup>BN — <sup>y</sup>\*\*\*  
Series Number Stopper Material Finish Option

600: COMPLETE BATH WASTES	
Fits most tubs up to 16" deep:	
Part Number	Cost
600-LT-PVC-CP	36.65
600-PP-PVC-CP	42.90
600-PF-PVC-CP	40.55
PF: NOT IN BO-BS-WH	
600-FA-PVC-CP	35.55
FA: BB-BN-BZ-CB-CP-NP-PB	

AB 143.65	BO 96.20	NP 94.35
AP 135.05	BS 96.20	PB 79.50
BB 98.75	BZ 71.55	WH 76.45
BN 63.70	CB 107.80	WI 80.80

601: BATH WASTE HALF KITS	
Part Number	Cost
601-LT-PVC-CP	25.55
601-PP-PVC-CP	31.80
601-PF-PVC-CP	29.45
PF: NOT IN BO-BS-WH	
601-FA-PVC-CP	24.45
FA: BB-BN-BZ-CB-CP-NP-PB	

AB 132.10	BO 85.10	NP 83.25
AP 123.95	BS 85.10	PB 68.40
BB 87.15	BZ 60.30	WH 69.10
BN 52.60	CB 96.70	WI 68.80



## 600-601

### Trim Kits

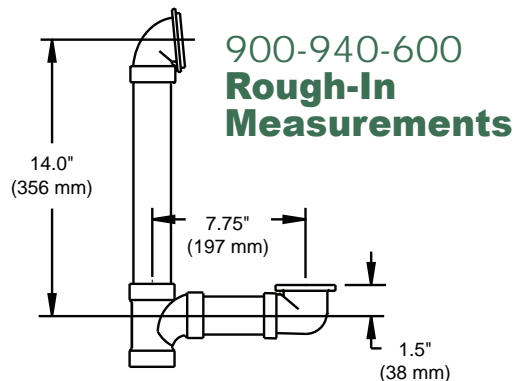
LT Trim Kit.....	58290-___
PP Trim Kit: ...	38290-___
PF Trim Kit: ...	38250-___
FA Trim Kit:.....	68290-___

CT TRIM KITS: pg 50

### Tub Closures

LT Tub Closure.....	58305-___
PP Tub Closure ...	38305-___
PF Tub Closure ...	38360-___
FA Tub Closure.....	68305-___

TC KITS: pg 54



# Schedule 40

Patented and Patents Pending  
See watcomfg.com for details.

# 600 Series

Solvent Weld Assembly • PVC or ABS • Coarse Thread: 11.5 tpi • Schedule 40 TechNotes: page 78

## SLIP LOCK® Trip Lever

### 600-SL

ABS or PVC



Add \$.80  
for ABS Fittings

12 Per Carton

Fits most tubs 16" deep:

600-SL-PVC-CP 48.00

600-SL



Patented

**Notice:**

**All Trip-Lever-Type Drains**

Make sure brass linkage is not kinked.

CORRECT

INCORRECT

For trip-lever type trim and linkage kits, & faceplate kits, see pages 52-53 and 56.

BN	78.60	BZ	78.60	PB	86.45
BO	94.25	CB	143.10	WH	94.05
BS	100.05	NP	92.25	WI	123.55

## TRIP LEVER

### 600-TL / 650-TL

ABS or PVC

Fits most tubs 16" deep:

12 Per Carton

600-TL-PVC-CP 38.35

600-TL  
650-TL



Patented

BN	71.80	BZ	71.80	PB	77.15
BO	67.00	CB	133.50	WH	84.40
BS	67.00	NP	83.00	WI	114.05

Fits most tubs 24" deep:

10 Per Carton

650-TL-PVC-CP 54.10

BN	87.35	BZ	87.35	PB	97.50
BO	84.00	CB	157.30	WH	108.20
BS	84.00	NP	105.15	WI	137.85

## TURNSTYLE®

### 600-TS / 650-TS

ABS or PVC

Fits most tubs 16" deep:

12 Per Carton

600-TS-PVC-CP 72.95

600-TS  
650-TS

BN	116.60	BZ	126.65	PB	121.10
BO	137.90	CB	183.70	WH	129.55
BS	137.90	NP	126.00	WI	172.45

Fits most tubs 24" deep:

10 Per Carton

650-TS-PVC-CP 93.95



Patented

BN	132.25	BZ	147.05	PB	147.25
BO	164.05	CB	174.15	WH	155.70
BS	164.05	NP	152.15	WI	198.60

## 620 Bath Wastes Fits most tubs up to 16" deep

### 621 Half Kits

ABS Stopper and Knob; Brass Strainer Body

620 / 661 BRASS BODY  
COMPLETE BATH WASTES

Bath Wastes	620-PP-PVC-CP	37.75
Half Kits	621-PP-PVC-CP	28.65

Add \$.80  
for ABS Fittings

12 Per Carton

621-PP  
651-PP



## 661 Bath Wastes Fits most tubs up to 16" deep

### 651 Half Kits

ABS Stopper and Knob; Zinc Strainer Body

661 / 651 ZINC BODY  
BATH WASTE & HALF KIT

Bath Wastes	661-PP-PVC-CP	34.85
Half Kits	651-PP-PVC-CP	25.55

Add \$.80  
for ABS Fittings

12 Per Carton

# Schedule 40

Patented and Patents Pending  
See watcofmg.com for details.

# 600 Series (Cont.)

Solvent Weld Assembly • PVC or ABS • Coarse Thread: 11.5 tpi • Schedule 40 TechNotes: page 74

Example Product #: <sup>u</sup>610 — <sup>v</sup>LT — <sup>w</sup>PVC — <sup>x</sup>AB — <sup>y</sup>\*\*\*  
Series Number Stopper Material Finish Option

Add \$0.80 for ABS Fittings 12 Per Carton

## 600-Series Quarter Kits with Adapters

### 610 HUB ADAPTER

Hub Adapters fit **outside** 1-1/2" Schedule 40 ABS or PVC piping.



610 QUARTER KITS WITH HUB ADAPTER - ABS & PVC	
Part Number	Cost
610-LT-PVC-CP	<b>21.90</b>
610-PP-PVC-CP	<b>28.55</b>
610-PF-PVC-CP	<b>25.35</b>
PF: NOT in BO-BS-WH	
610-FA-PVC-CP	<b>21.35</b>
FA: BB-BN-BZ-CB-CP-NP-PB-WI	

AP 84.40	CB 78.30
BB 50.35	NP 62.65
BN 54.30	PB 50.70
BO 63.00	WH 46.70
BS 63.00	WI 43.95
BZ 54.30	

### 612 SPIGOT - PVC

Spigot Adapters fit **inside** 1-1/2" Schedule 40 PVC piping.



612 QUARTER KITS WITH SPIGOT ADAPTOR - PVC ONLY	
Part Number	Cost
612-LT-PVC-CP	<b>21.90</b>
612-PP-PVC-CP	<b>28.55</b>
612-PF-PVC-CP	<b>25.35</b>
PF: NOT in BO-BS-WH	
612-FA-PVC-CP	<b>21.35</b>
FA: BB-BN-BZ-CB-CP-NP-PB-WI	

AP 84.40	CB 78.30
BB 50.35	NP 62.65
BN 54.30	PB 50.70
BO 63.00	WH 46.70
BS 63.00	WI 43.95
BZ 54.30	

### 614 DRAIN ELBOW



For Drain Elbow Half Kit, see Model 601 on page 25.

614 QUARTER KITS WITH DRAIN ELBOW - ABS & PVC	
Part Number	Cost
614-LT-PVC-CP	<b>21.90</b>
614-PP-PVC-CP	<b>28.55</b>
614-PF-PVC-CP	<b>25.35</b>
PF: NOT in BO-BS-WH	
614-FA-PVC-CP	<b>21.35</b>
FA: BB-BN-BZ-CB-CP-NP-PB-WI	

AP 84.40	CB 78.30
BB 50.35	NP 62.65
BN 54.30	PB 50.70
BO 63.00	WH 46.70
BS 63.00	WI 43.95
BZ 54.30	

## 600-Series Half Kits with Adapters

Add \$0.80 for ABS Fittings 12 Per Carton

### 615 HUB ADAPTER



615 HALF KITS WITH HUB ADAPTER - ABS & PVC	
Part Number	Cost
615-LT-PVC-CP	<b>30.45</b>
615-PP-PVC-CP	<b>37.75</b>
615-PF-PVC-CP	<b>35.10</b>
PF: NOT in BO-BS-WH	
615-FA-PVC-CP	<b>30.45</b>
FA: BB-BN-BZ-CB-CP-NP-PB-WI	

AP 128.85	CB 99.35
BB 89.40	NP 86.00
BN 69.10	PB 71.10
BO 89.75	WH 62.65
BS 89.75	WI 72.00
BZ 69.10	

### 616 SPIGOT - PVC ONLY



616 HALF KITS WITH SPIGOT ADAPTOR - PVC ONLY	
Part Number	Cost
616-LT-PVC-CP	<b>30.45</b>
616-PP-PVC-CP	<b>37.75</b>
616-PF-PVC-CP	<b>35.10</b>
PF: NOT in BO-BS-WH	
616-FA-PVC-CP	<b>30.45</b>
FA: BB-BN-BZ-CB-CP-NP-PB-WI	

AP 128.85	CB 99.35
BB 89.40	NP 86.00
BN 69.10	PB 71.10
BO 89.75	WH 62.65
BS 89.75	WI 72.00
BZ 69.10	

### 617 DIRECT DRAIN TEE



617 HALF KITS WITH DIRECT DRAIN TEE - ABS & PVC	
Part Number	Cost
617-LT-PVC-CP	<b>30.45</b>
617-PP-PVC-CP	<b>37.75</b>
617-PF-PVC-CP	<b>35.10</b>
PF: NOT in BO-BS-WH	
617-FA-PVC-CP	<b>30.45</b>
FA: BB-BN-BZ-CB-CP-NP-PB-WI	

AP 128.85	CB 99.35
BB 89.40	NP 86.00
BN 69.10	PB 71.10
BO 89.75	WH 62.65
BS 89.75	WI 72.00
BZ 69.10	



# Tubular Plastic

Patented and Patents Pending  
See watcomfg.com for details.

# 500 Series

Slip-Joint Assembly • 11.5 tpi • Tubular Plastic TechNotes: page 75



## 500

Add \$0.85  
for ABS Fittings  
12 Per Carton

**Complete Bath Wastes**  
**ABS or PVC**

*Fits most tubs up to 16" deep:*

500-LT-PVC-CP	31.45
500-PP-PVC-CP	37.80
500-PF-PVC-CP	36.65
PF: NOT IN AB-BO-BS-WH	
500-FA-PVC-CP	30.65
FA: BB-BN-BZ-CB-CP-NP-PB-WI	



PUSH PULL®



PRESFLO®

AP	135.40	BS	101.75	PB	75.45
BB	80.30	BZ	65.25	WH	74.35
BN	58.10	CB	97.70	WI	72.05
BO	101.75	NP	93.00		



500-PP

## 550

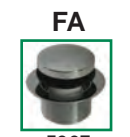
Add \$0.85  
for ABS Fittings  
10 Per Carton

**Complete Bath Wastes**  
**ABS or PVC**

*Fits most tubs up to 24" deep:*

550-LT-PVC-CP	45.45
550-PP-PVC-CP	50.85
550-PF-PVC-CP	53.85
PF: NOT IN AB-BO-BS-WH	
550-FA-PVC-CP	44.75
FA: BB-BN-BZ-CB-CP-NP-PB-WI	

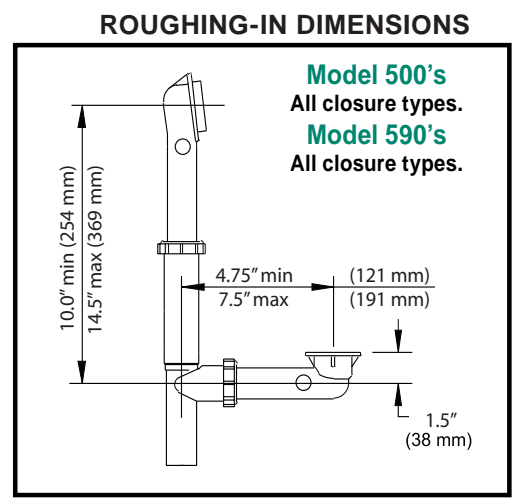
AP	155.75	BS	126.15	PB	114.65
BB	105.10	BZ	81.60	WH	93.50
BN	72.20	CB	121.25	WI	94.25
BO	126.15	NP	113.95		



FOOT  
ACTUATED  
ADA

500-550	
Trim Kits	Tub Closures
LT Trim Kit.....58290-__-2H	LT Tub Closure.....58305-__
PP Trim Kit:.....38290-__-2H	PP Tub Closure.....38305-__
PF Trim Kit:.....38250-__-2H	PF Tub Closure.....38360-__
FA Trim Kit:.....68290-__-2H	FA Tub Closure.....68305-__

TRIM KITS: Pgs. 54 – TUB CLOSURES: Pgs. 58



## SLIP LOCK® Trip Lever

### 500-SL

Add \$0.85  
for ABS Fittings  
12 Per Carton

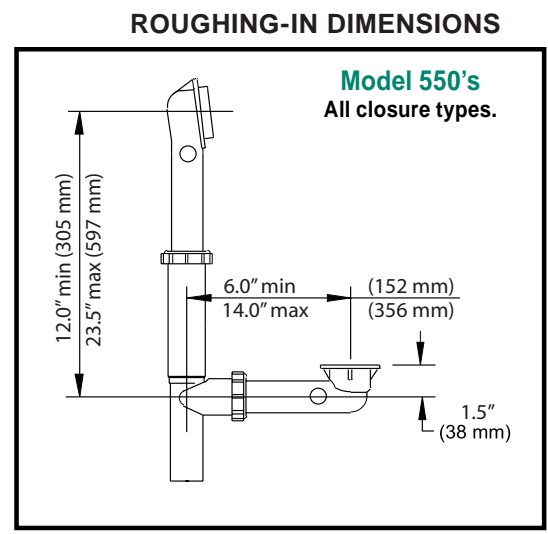
**Complete Bath Wastes**  
**ABS or PVC**

*Fits most tubs up to 16" deep:*

500-SL-PVC-CP	47.65				
BN	66.75	BZ	64.70	PB	84.70
BO	98.85	CB	143.55	WH	94.65
BS	98.85	NP	91.55	WI	99.00



ADA



**Notice:**  
**All Trip-Lever-Type Drains**

Make sure brass linkage is not kinked.

CORRECT  
INCORRECT

Trim Kits for SLIP LOCK®  
on pages 52-53  
Faceplate Kits:  
See page 56

500 Series: 500 / 550 Bath Wastes - 500 Slip Lock® Trip Lever

# Tubular Plastic

Patented and Patents Pending  
See watcomfg.com for details.

# 500 Series

Slip-Joint Assembly • PVC or ABS • Coarse Thread: 11.5 tpi • Tubular Plastic TechNotes: page 78

## Complete Bath Wastes QUICK ADJUST® Trip Lever ABS or PVC

**500-TQ** Add \$0.85 for ABS Fittings  
12 Per Carton

*Fits most tubs up to 16" deep:*

500-TQ-PVC-CP	38.60			
BN 60.70	BZ 60.70	PB 75.10		
BO 85.05	CB 133.95	WH 85.05		
BS 85.05	NP 81.95	WI 114.65		

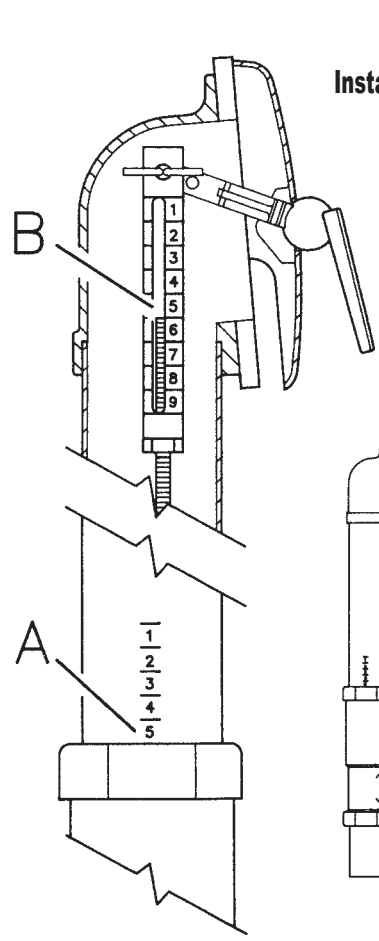
**550-TQ** Add \$0.85 for ABS Fittings  
10 Per Carton

*Fits most tubs up to 24" deep:*

550-TQ-PVC-CP	59.30			
BN 84.60	BZ 84.60	PB 99.00		
BO 108.95	CB 157.85	WH 108.95		
BS 108.95	NP 105.85	WI 138.55		



ADA



### Installation:

- A Establish rough-in length at overflow elbow scale.
- B Adjust threaded-rod end on the linkage clevis until the number matches the number on the overflow elbow scale.

### NOTE:

Typical installation for:  
Model 500-TQ (ABS or PVC)

Trim Kits for SLIP LOCK®, Trip Lever, and TURNSTYLE® : See pages 52-53 – Faceplate Kits: See page 56.

## Complete Bath Wastes TURNSTYLE® ABS or PVC

**500-TS** Add \$0.85 for ABS Fittings  
12 Per Carton

*Fits most tubs up to 16" deep:*

500-TS-PVC-CP	71.95			
BN 110.20	BZ 126.60	PB 121.05		
BO 137.85	CB 183.45	WH 129.45		
BS 137.85	NP 125.95	WI 172.35		



NOT  
ADA

**550-TS** Add \$0.85 for ABS Fittings  
10 Per Carton

*Fits most tubs up to 24" deep:*

550-TS-PVC-CP	98.00			
BN 134.10	BZ 150.45	PB 144.90		
BO 161.70	CB 207.35	WH 153.35		
BS 161.70	NP 149.85	WI 196.25		

\*



# Tubular Plastic

Patented and Patents Pending  
See watcomfg.com for details.

# 500 Series

Slip-Joint Assembly • PVC or ABS • Coarse Thread: 11.5 tpi • Tubular Plastic TechNotes: page 75

## 510

Quarter Kit with Coarse-Thread Drain Elbow



510-LT



12 Per Carton

510-LT-PVC-CP	21.80
510-PP-PVC-CP	28.80
510-PF-PVC-CP	26.80
PF: NOT IN AB-BO-BS-WH	
510-FA-PVC-CP	21.80
FA: BB-BN-BZ-CB-CP-NP-PB-WI	

AP	90.15	CB	59.65
BB	40.25	NP	48.95
BN	51.15	PB	48.95
BO	48.95	WH	48.95
BS	48.95	WI	85.85
BZ	51.15		

## 515

Polypropylene 2-Hole Direct Drain

Fits most tubs up to 16" deep



515-LT

12 Per Carton

515-LT-CP	41.65
515-PP-CP	47.10
515-PF-CP	45.00
PF NOT IN AB-BO-BS-WH	
515-FA-CP	41.15
FA: BB-BN-BZ-CB-CP-NP-PB-WI	

AP	103.25	CB	125.45
BB	137.30	NP	101.05
BN	62.40	PB	85.50
BO	111.70	WH	80.75
BS	111.70	WI	86.25
BZ	69.10		

## 595

Innovator® Tubular PVC & Polypropylene Direct Drain



595-PP

Overflow Elbow: Tubular Plastic PVC Elbow & Drain Tee: Polypropylene

12 Per Carton

595-LT-PVC-CP	44.10
595-PP-PVC-CP	49.30
595-PF-PVC-CP	46.95
PF: NOT IN BO-BS-WH	
595-FA-PVC-CP	43.10
FA: BB-BN-BZ-CB-CP-NP-PB-WI	

AP	105.30	CB	127.50
BB	139.35	NP	103.10
BN	67.75	PB	87.60
BO	113.75	WH	82.85
BS	113.75	WI	88.30
BZ	71.20		

## 590

Innovator® Complete Bath Wastes

ABS or PVC

\*PP1 = Plastic Pin

Add \$0.80 for ABS Fittings  
12 Per Carton



#11114 TEST CAP & #11577 TEST PLUG

included with all 590 & 594 Bath Wastes.

## 590-594-595

Trim Kits

Tub Closures

LT Trim Kit.....	958290-___	LT Tub Closure....	58305-___
PP Trim Kit: ...	938290-___	PP Tub Closure...	38305-___
PF Trim Kit: ...	938250-___	PF Tub Closure...	38360-___
FA Trim Kit:....	968290-___	FA Tub Closure....	68305-___

TRIM KITS: Pgs. 50 – TUB CLOSURES: Pgs. 54

To order the 590-594-595 without the Test Cap and Plug, add "-LTK" to end of part number.

Subtract \$3.70 from list price of product ordered.

590-PP1-PVC-CP	33.25
590-LT-PVC-CP	35.20
590-PP-PVC-CP	41.60
590-PF-PVC-CP	38.65
PF: NOT IN BO-BS-WH	
590-FA-PVC-CP	35.20
FA: BB-BN-BZ-CB-CP-NP-PB-WI	

590-LTRI-PVC-CP	25.45
590-LTRI-PVC-CP	25.45
590-PPRI-PVC-CP	28.75
590-PFRI-PVC-CP	30.80
PF: NOT IN BO-BS-WH	
590-FARI-PVC-CP	25.45
FA: BB-BN-BZ-CB-CP-NP-PB-WI	

900SF-PP1-CP	7.80
900-LTSF-0-CP	9.75
900-PPSF-0-CP	12.85
900-PFSF-0-CP	8.55
PF: NOT IN BO-BS-WH	
900-FASF-0-CP	9.75
FA: BB-BN-BZ-CB-CP-NP-PB-WI	

AP	147.05	BS	91.15	PB	95.90
BB	104.70	BZ	68.40	WH	71.00
BN	65.25	CB	120.45	WI	84.75
BO	91.15	NP	98.40		

AP	84.60	BS	54.25	PB	63.60
BB	52.45	BZ	39.50	WH	38.25
BN	41.10	CB	75.20	WI	46.40
BO	51.90	NP	51.05		

AP	62.35	BS	36.90	PB	32.30
BB	47.95	BZ	28.90	WH	32.75
BN	24.15	CB	45.25	WI	38.35
BO	39.75	NP	47.35		

## 594

Same as the 590 but for most tubs up to 24" deep.

ABS or PVC

594-LT-PVC-CP	47.35
594-PP-PVC-CP	53.85
594-PF-PVC-CP	52.95
PF: NOT IN BO-BS-WH	
594-FA-PVC-CP	47.00
FA: BB-BN-BZ-CB-CP-NP-PB-WI	

OTHER FINISHES AVAILABLE:

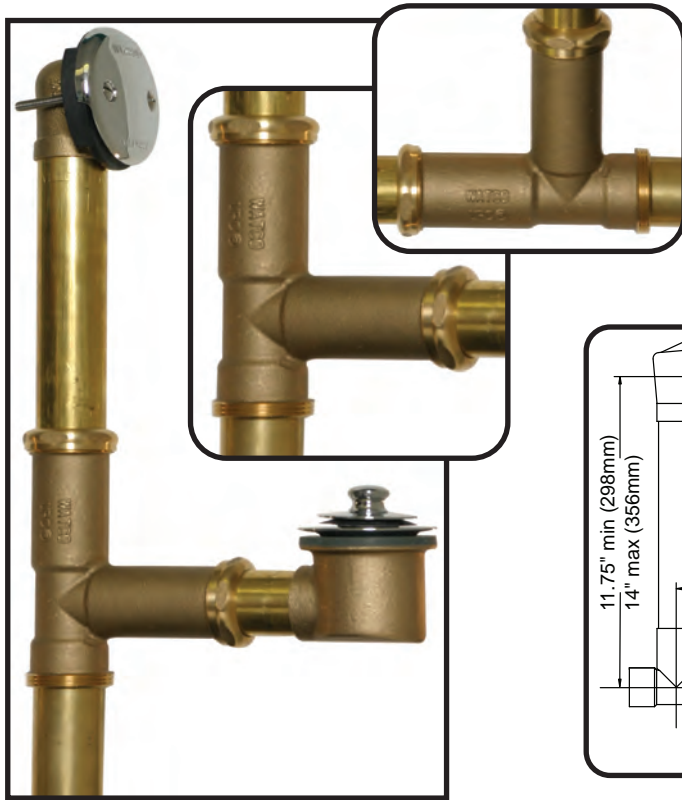
AP	156.75	BS	105.40	PB	110.15
BB	120.25	BZ	82.65	WH	82.10
BN	75.45	CB	134.70	WI	99.00
BO	105.40	NP	112.65		

10 Per Carton

# Options for Tubular Brass

Patented and Patents Pending  
See watcofmg.com for details.

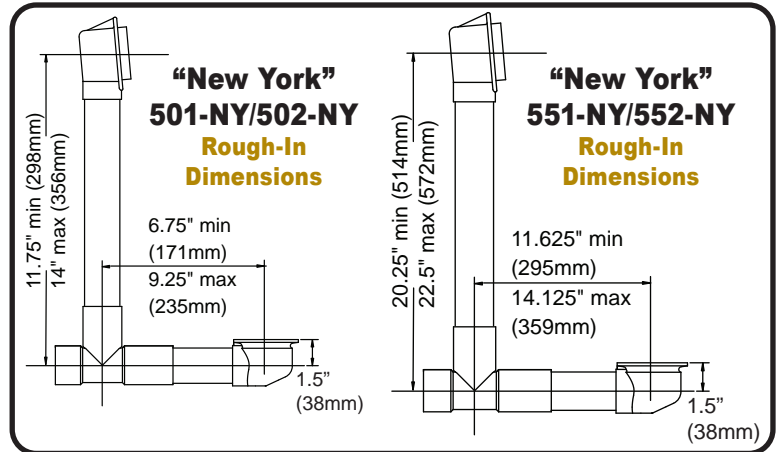
1.5" Pipe • Coarse Thread: 11.5 tpi • 17-Gauge Pipe and 20-Gauge Pipe available



## New York Tee (-NY)

Use Watco's New York Tee as a through-the-floor installation without sacrificing adjustability.

For New York Tee, add "-NY" to product number.

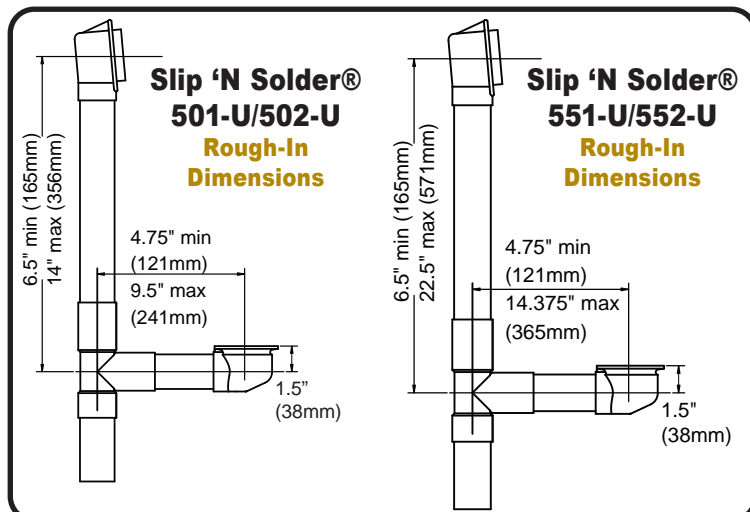
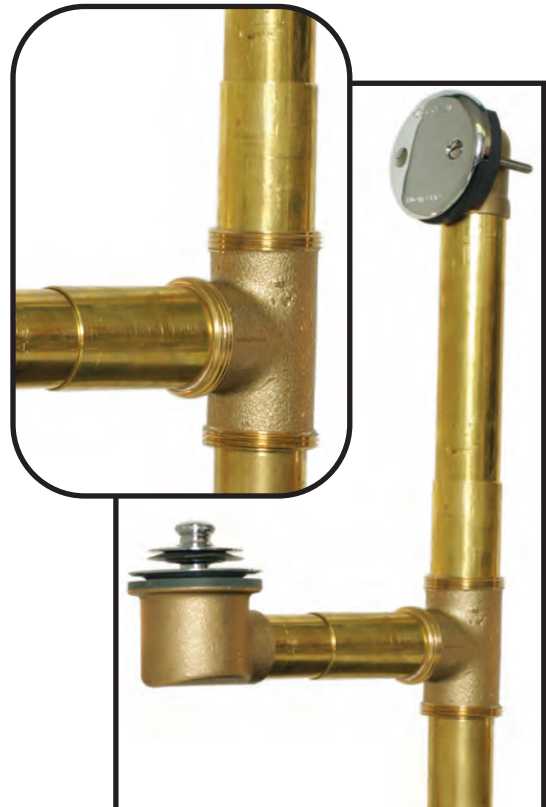


**NOTE: These two options cannot be used together on the same bath waste.**

## Slip 'N Solder® (-U)

- solder two tubes (like copper fittings).
- eliminate an access panel.
- eliminate need for exact lengths.

For Slip "N Solder" unit, add "-U" to product number.



# More on Tubular Brass

For Brass TechNotes and extensions, see page 79.

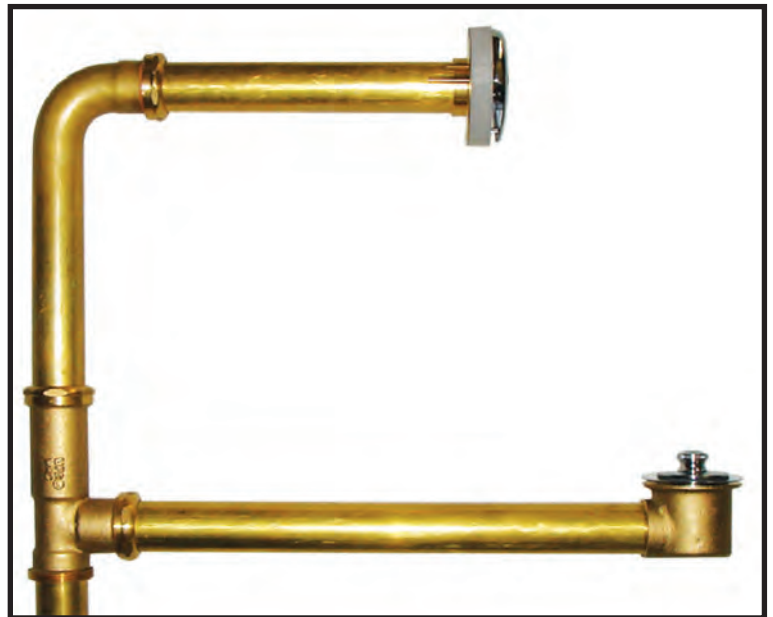
Patented and Patents Pending  
See watcomfg.com for details.



Brass Cable  
See Page 36.

## Brass Condensate Overflow Elbow

See TechNotes  
on page 75.



Through-Wall Chicago Code  
See Page 36.

## Trim Kits & Tub Closures for our brass drains...

### QuickTrim® Kits



Innovator®  
QuickTrim® Kits  
Page 48



Innovator® Trim Kits  
Page 50



Coarse-Thread  
Tub Closures  
Page 54



Replacement  
Stoppers  
Page 54

# Tubular Brass

Patented and Patents Pending  
See watcomfg.com for details.

# 501/551 Series

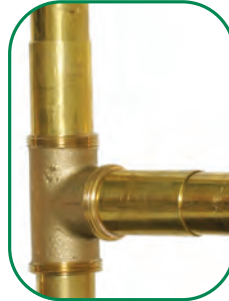
17-Gauge Pipe • Coarse Thread: 11.5 tpi • For Brass TechNotes and extensions: page 75



501-PP

## Brass Assembly Additional Options

No additional charge.



### Slip 'N Solder®

To order, add "U" to item number.

OR



Multiple options with only one tee.

### New York Tee

To order, add "NY" to item number.

WHEN ADDING -NY TO ITEM #,  
ADD \$7.80 TO LIST PRICE

Example Product #: **501** — **PF** — **BRS** — **BZ** — **\*\*\***

u
v
w
x
y

Series Number
Stopper
Material
Finish
Option

## 501 17-Gauge

501s:  
12 Per Carton

Fits Most Tubs up to 16" Deep

## 551 17-Gauge

551s:  
10 Per Carton

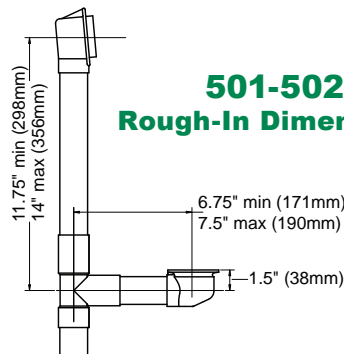
Fits Most Tubs up to 24" Deep

501-LT-BRS-CP	98.80
501-PP-BRS-CP	105.95
501-PF-BRS-CP	104.95
PF: NOT IN AB-BO-BS-WH	
501-FA-BRS-CP	98.80
FA: BB-BN-BZ-CB-CP-NP-PB-W	

551-LT-BRS-CP	120.75
551-PP-BRS-CP	127.65
551-PF-BRS-CP	126.65
PF: NOT IN AB-BO-BS-WH	
551-FA-BRS-CP	120.55
FA: BB-BN-BZ-CB-CP-NP-PB-WI	

AP	253.80	BS	220.60	PB	190.85
BB	193.15	BZ	149.30	WH	192.70
BN	144.90	CB	213.20	WI	175.70
BO	220.60	NP	199.70		

AP	282.25	BS	248.15	PB	219.65
BB	214.85	BZ	174.45	WH	214.45
BN	166.65	CB	242.70	WI	195.60
BO	248.15	NP	225.30		



## 501-551-502-552

Trim Kits	Tub Closures
LT Trim Kit .....58290-__-2H	LT Tub Closure ....58305-__
PP Trim Kit: ...38290-__-2H	PP Tub Closure ...38305-__
PF Trim Kit: ...38250-__-2H	PF Tub Closure ...38360-__
FA Trim Kit:....68290-__-2H	FA Tub Closure....68305-__

TRIM KITS: Pg. 50      TUB CLOSURES: Pg. 54



# Tubular Brass

Patented and Patents Pending  
See watcomfg.com for details.

# 502/552 Series

20-Gauge Brass Pipe • Coarse Thread: 11.5 tpi • For Brass TechNotes and extensions: page 75

20-Gauge Brass: 502 / 552 Series



502-PP

## Brass Assembly Additional Options

No additional charge.



### Slip 'N Solder®

To order, add "U" to item number.



Multiple options with only one tee.

### New York Tee

To order, add "NY" to item number.

WHEN ADDING -NY TO ITEM #, ADD \$7.80 TO LIST PRICE

OR

Example Product #: u v w x y  
 Series Number Stopper Material Finish Option

## 502 20-Gauge

502s:  
12 Per Carton

Fits Most Tubs up to 16" Deep

502-LT-BRS-CP	89.35
502-PP-BRS-CP	96.45
502-PF-BRS-CP	97.85
PF: NOT IN AB-BO-BS-WH	
502-FA-BRS-CP	89.35
FA: BB-BN-BZ-CB-CP-NP-PB-W	

AP 244.35	BS 211.15	PB 181.40
BB 185.55	BZ 139.85	WH 185.20
BN 136.75	CB 203.75	WI 168.75
BO 211.15	NP 190.25	

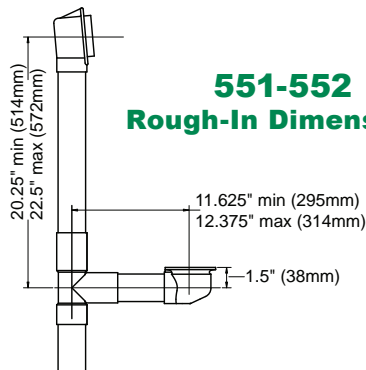
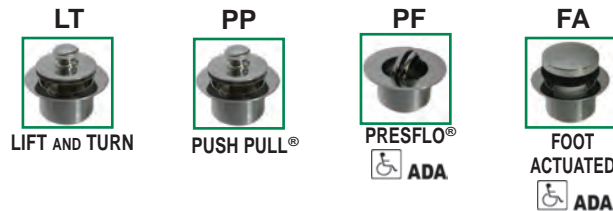
## 552 20-Gauge

552s:  
10 Per Carton

Fits Most Tubs up to 24" Deep

552-LT-BRS-CP	104.25
552-PP-BRS-CP	111.15
552-PF-BRS-CP	113.85
PF: NOT IN AB-BO-BS-WH	
552-FA-BRS-CP	104.25
FA: BB-BN-BZ-CB-CP-NP-PB-WI	

AP 266.05	BS 234.00	PB 206.40
BB 201.65	BZ 160.80	WH 201.20
BN 153.40	CB 229.50	WI 183.50
BO 234.00	NP 208.80	



## 551-552 Rough-In Dimensions

QuickTrim® Kits Page 48

Coarse-Thread Tub Closures Page 54

Replacement Stoppers Page 54

# Tubular Brass

Patented and Patents Pending  
See watcomfg.com for details.

# Trip Lever Models

17-G & 20-G Brass Pipe • Coarse Thread: 11.5 tpi • For Brass TechNotes and extensions: page 75

Example Product #: **552** — **TQ** — **BRS** — **BO** — **\*\*\***  
Series Number   Stopper   Material   Finish   Option

## QUICK ADJUST® ADA

### 501-TQ 17-Gauge

Fits Most Tubs up to 16" Deep

**501-TQ-BRS-CP      114.00**

BN	157.40	CB	254.50	WH	202.55
BO	209.25	NP	207.05	WI	212.85
BS	209.25	PB	199.75		
BZ	155.25				

**501s/502s:**  
12 Per Carton



## QUICK ADJUST® ADA

### 551-TQ 17-Gauge

Fits Most Tubs up to 24" Deep

**551-TQ-BRS-CP      147.80**

BN	193.50	CB	287.90	WH	235.95
BO	243.00	NP	239.90	WI	243.85
BS	243.00	PB	234.00		
BZ	195.65				

**551s/552s:**  
10 Per Carton



### 502-TQ 20-Gauge

Fits Most Tubs up to 16" Deep

**502-TQ-BRS-CP      102.80**

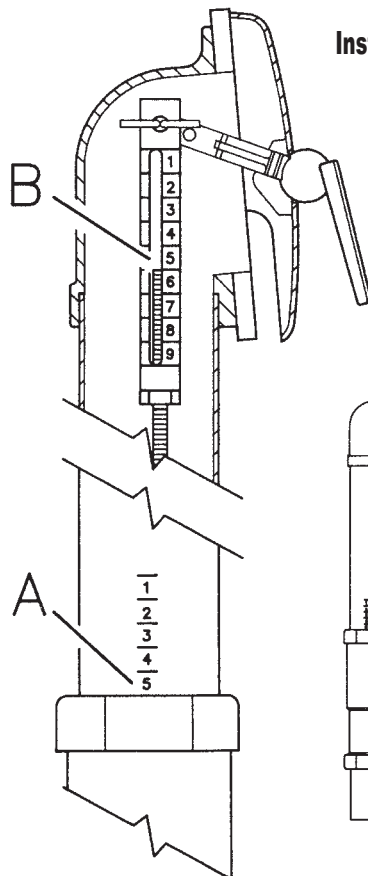
BN	146.20	CB	243.30	WH	191.35
BO	198.05	NP	195.85	WI	205.15
BS	198.05	PB	188.55		
BZ	144.05				

### 552-TQ 20-Gauge

Fits Most Tubs up to 24" Deep

**552-TQ-BRS-CP      129.30**

BN	179.65	CB	269.40	WH	217.45
BO	224.50	NP	221.40	WI	231.25
BS	224.50	PB	215.50		
BZ	177.50				

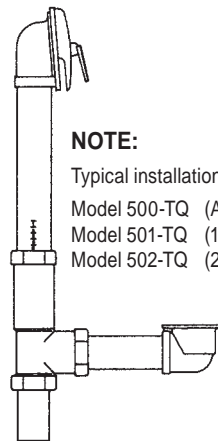


#### Installation:

- A Establish rough-in length at overflow elbow scale.
- B Adjust threaded-rod end on the linkage clevis until the number matches the number on the overflow elbow scale.

#### NOTE:

Typical installation for:  
 Model 500-TQ (ABS or PVC)  
 Model 501-TQ (17ga Brass)  
 Model 502-TQ (20ga Brass)



Trim Kits for SLIP LOCK®, Trip Lever, and TURNSTYLE® : See pages 52-53 – Faceplate Kits: See page 56.

**Trip Lever Bath Wastes require through-the-floor installation.**



# Tubular Brass

Patented and Patents Pending  
See watcomfg.com for details.

# TURNSTYLE® - Direct Drain

17-G & 20-G Brass Pipe • Coarse Thread: 11.5 tpi • For Brass TechNotes and extensions: page 75

Example Product #: **552** — **TS** — **BRS** — **BO** — **\*\*\***  
Series Number Stopper Material Finish Option

**TURNSTYLE®** NOT ADA  
**501-TS** 17-Gauge  
 Fits Most Tubs up to 16" Deep

<b>501-TS-BRS-CP</b>		<b>153.70</b>	
BN 206.40	BZ 222.05	PB 245.70	
BO 258.75	CB 300.90	WH 253.50	
BS 258.75	NP 252.15	WI 306.15	

501s/502s:  
12 Per Carton

**502-TS** 20-Gauge  
 Fits Most Tubs up to 16" Deep

<b>502-TS-BRS-CP</b>		<b>145.30</b>	
BN 195.20	BZ 210.85	PB 234.50	
BO 247.55	CB 289.70	WH 242.30	
BS 247.55	NP 240.95	WI 298.40	



**TURNSTYLE®** NOT ADA  
**551-TS** 17-Gauge  
 Fits Most Tubs up to 24" Deep

<b>551-TS-BRS-CP</b>		<b>189.55</b>	
BN 248.20	BZ 263.85	PB 292.65	
BO 311.00	CB 334.90	WH 301.80	
BS 311.00	NP 298.00	WI 339.05	

551s/552s:  
10 Per Carton

**552-TS** 20-Gauge  
 Fits Most Tubs up to 24" Deep

<b>552-TS-BRS-CP</b>		<b>174.85</b>	
BN 229.70	BZ 245.35	PB 277.90	
BO 293.25	CB 316.40	WH 285.65	
BS 293.25	NP 282.30	WI 325.55	



NOT ADA

Trim Kits for SLIP LOCK®, Trip Lever, and TURNSTYLE® : See pages 52-53 – Faceplate Kits: See page 56.

**511** 17-Gauge  
 Tub Closure with  
 18.125" Extension

12 Per Carton

<b>511-LT-BRS-CP</b>		<b>71.20</b>	
<b>511-PP-BRS-CP</b>		<b>69.10</b>	
<b>511-PF-BRS-CP</b>		<b>67.25</b>	
PF: NOT IN BO-BS-WH			
<b>511-FA-BRS-CP</b>		<b>63.20</b>	
FA: BB-BN-BZ-CB-CP-NP-PB-WI			
AP 134.15	BS 98.95	PB 123.30	
BB 116.30	BZ 91.90	WH 110.80	
BN 82.15	CB 109.70	WI 104.45	
BO 98.95	NP 111.60		

**512** 17-Gauge  
 2-Hole  
 Direct Drain  
 Fits Most Tubs  
 up to 16" Deep

Slip 'N Solder®  
Available

12 Per Carton

<b>512-LT-BRS-CP</b>		<b>112.55</b>	
<b>512-PP-BRS-CP</b>		<b>119.35</b>	
<b>512-PF-BRS-CP</b>		<b>118.25</b>	
PF: NOT IN BO-BS-WH			
<b>512-FA-BRS-CP</b>		<b>111.90</b>	
FA: BB-BN-BZ-CB-CP-NP-PB-WI			
AP 203.85	BS 157.45	PB 207.60	
BB 202.85	BZ 147.80	WH 209.30	
BN 150.10	CB 171.20	WI 171.40	
BO 157.45	NP 202.80		

**512 Trim Kits same as 501's**  
 TRIM KITS: Pg. 50 – TUB CLOSURES: Pg. 54

**593** 17-Gauge  
 Innovator® Direct  
 Drain Fits Most Tubs  
 up to 16" Deep

Slip 'N Solder®  
Available



**12 Per Carton**

#11114 TEST CAP & #11575 TEST PLUG  
 included in all 593 Bath Wastes.

<b>593-LT-BRS-CP</b>		<b>123.50</b>	
<b>593-PP-BRS-CP</b>		<b>130.30</b>	
<b>593-PF-BRS-CP</b>		<b>129.20</b>	
PF: NOT IN BO-BS-WH			
<b>593-FA-BRS-CP</b>		<b>122.90</b>	
FA: BB-BN-BZ-CB-CP-NP-PB-WI			
AP 214.80	BS 168.40	PB 218.60	
BB 213.80	BZ 158.75	WH 219.85	
BN 161.10	CB 182.15	WI 181.45	
BO 168.40	NP 213.75		

**593 Trim Kits same as 591's**  
 TRIM KITS: Pg. 50 – TUB CLOSURES: Pg. 54

17- & 20-Gauge: 501 / 551 - 502 / 552 Turnstyle® - Direct Drains - 511

# Tubular Brass

Patented and Patents Pending  
See watcomfg.com for details.

# 17g Brass Innovator®

17-Gauge Brass Pipe • Coarse Thread: 11.5 tpi • For Brass TechNotes and extensions: page 75



591-PP

## Brass Assembly Additional Options

No additional charge.



**Slip 'N Solder®**  
To order, add "U" to item number.

OR



Multiple options with only one tee.

### New York Tee

To order, add "NY" to item number.

**WHEN ADDING -NY TO ITEM #, ADD \$7.80 TO LIST PRICE**

Example Product #: 591 — PP — BRS — BN — \*\*\*  
Series Number    Stopper    Material    Finish    Option

## 591 17-Gauge

591s:  
12 Per Carton

Fits Most Tubs up to 16" Deep

591-LT-BRS-CP	106.05
591-PP-BRS-CP	115.10
591-PF-BRS-CP	114.20
PF: NOT IN BO-BS-WH	
591-FA-BRS-CP	106.05
FA: BB-BN-BZ-CB-CP-NP-PB-WI	

AP	276.45	BS	229.30	PB	210.15
BB	225.75	BZ	159.10	WH	200.25
BN	158.05	CB	217.95	WI	193.10
BO	229.30	NP	229.25		

## 598 17-Gauge

598s:  
12 Per Carton

Fits Most Tubs up to 24" Deep

598-LT-BRS-CP	129.00
598-PP-BRS-CP	135.30
598-PF-BRS-CP	135.85
PF: NOT IN BO-BS-WH	
598-FA-BRS-CP	129.00
FA: BB-BN-BZ-CB-CP-NP-PB-WI	

AP	295.25	BS	256.90	PB	223.10
BB	247.50	BZ	180.85	WH	233.70
BN	180.95	CB	256.50	WI	214.00
BO	256.90	NP	254.10		



LT  
LIFT AND TURN



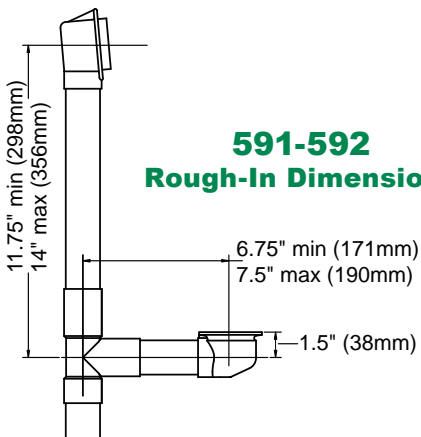
PP  
PUSH PULL®



PF  
PRESFLO®  
ADA



FA  
FOOT ACTUATED  
ADA



### 591-592-598-599

Trim Kits	Tub Closures
LT Trim Kit..... 958290-___	LT Tub Closure .... 58305-___
PP Trim Kit: ... 938290-___	PP Tub Closure ... 38305-___
PF Trim Kit: ... 938250-___	PF Tub Closure ... 38360-___
FA Trim Kit:.... 968290-___	FA Tub Closure.... 68305-___

TRIM KITS: Pg. 50 – TUB CLOSURES: Pg. 54

**#11114 TEST CAP & #11577 TEST PLUG**  
included with all 591 & 598 Bath Wastes.



To order without the Test Cap and Plug, add "-LTK" to end of part number. Subtract \$3.70 from list price.



# Tubular Brass

Patented and Patents Pending  
See watcomfg.com for details.

# 20g Brass Innovator®

20-Gauge Brass Pipe • Coarse Thread: 11.5 tpi • For Brass TechNotes and extensions: page 75



592-PP

## Brass Assembly Additional Options

No additional charge.



### Slip 'N Solder®

To order, add "U" to item number.

OR



Multiple options with only one tee.

### New York Tee

To order, add "NY" to item number.

WHEN ADDING -NY TO ITEM #,  
ADD \$7.80 TO LIST PRICE

Example Product #: 592 — LTRI — BRS — CP — \*\*\*  
Series Number Stopper Material Finish Option

## 592 20-Gauge

592s:  
12 Per Carton

Fits Most Tubs up to 16" Deep

592-LT-BRS-CP	100.35
592-PP-BRS-CP	106.65
592-PF-BRS-CP	106.70
PF: NOT IN BO-BS-WH	
592-FA-BRS-CP	100.35
FA: BB-BN-BZ-CB-CP-NP-PB-WI	

AP 267.00	BS 219.85	PB 200.70
BB 218.25	BZ 151.60	WH 190.80
BN 148.60	CB 208.50	WI 186.25
BO 219.85	NP 219.80	

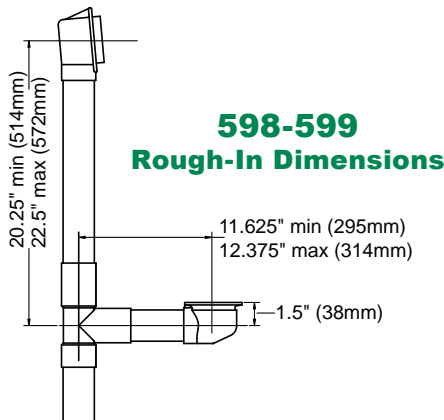
## 599 20-Gauge

599s:  
12 Per Carton

Fits Most Tubs up to 24" Deep

599-LT-BRS-CP	112.50
599-PP-BRS-CP	118.80
599-PF-BRS-CP	118.95
PF: NOT IN BO-BS-WH	
599-FA-BRS-CP	112.50
FA: BB-BN-BZ-CB-CP-NP-PB-WI	

AP 278.75	BS 240.40	PB 206.60
BB 230.55	BZ 163.90	WH 216.80
BN 164.05	CB 239.55	WI 197.50
BO 240.40	NP 237.60	



#11114 TEST CAP & #11577 TEST PLUG  
included with all 592 & 599 Bath Wastes.



# Tubular Brass

Patented and Patents Pending  
See watcomfg.com for details.

# Cable (Non-Testable)

20-Gauge Brass Pipe • Coarse Thread: 11.5 tpi • For Brass TechNotes and extensions, see page 75.

## 528 Cable 20-Gauge

Fits Most Tubs up to 16" Deep

**528-CA-BRS-CP 193.65**

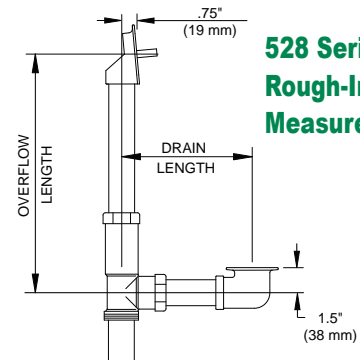
BB 335.00	BZ 313.90	PB 316.55
BN 291.25	CB 369.00	WH 307.10
BO 317.95	NP 293.20	WI 368.60
BS 317.95		

528s:  
12 Per Carton

For 17-gauge, add \$11.70 to **528** prices. Add -17G



538-CA-BRS-BZ



528 Series  
Rough-In  
Measurements

528-CA Overflow length plus drain length cannot exceed 28 inches.  
Overflow Length = 20 inches  
Drain Length = 8 inches

538-CA Overflow length plus drain length cannot exceed 38 inches.  
Overflow Length = 28 inches  
Drain Length = 10 inches

## 538 Cable 20-Gauge

Fits Most Tubs up to 24" Deep

**538-CA-BRS-CP 213.65**

BB 351.60	BZ 333.90	PB 336.55
BN 311.25	CB 389.00	WH 327.10
BO 337.95	NP 313.20	WI 385.20
BS 337.95		

538s:  
10 Per Carton

For 17-gauge, add \$16.55 to **538** prices. Add -17G *For Slip "N Solder" unit, add suffix "U" to product number.*

Cable Trim Kits: Page 49

# Chicago-Code

1.5" 17-Gauge Brass Pipe • Coarse Thread: 11.5

## 567 Chicago-Code 17-Gauge

Fits Most Tubs up to 16" Deep

Available in Chrome Plate Finish Only

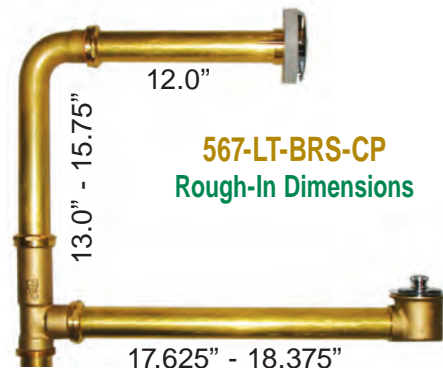
**567-LT-BRS-CP 149.70**

**567-PP-BRS-CP 156.75**

**567-PF-BRS-CP 154.40**

**567-FA-BRS-CP 148.60**

567s:  
12 Per Carton



567-LT-BRS-CP  
Rough-In Dimensions

*For Slip "N Solder" unit, add suffix "U" to product number.*



## 568 Chicago-Code 17-Gauge

Fits Most Tubs up to 24" Deep

Available in Chrome Plate Finish Only

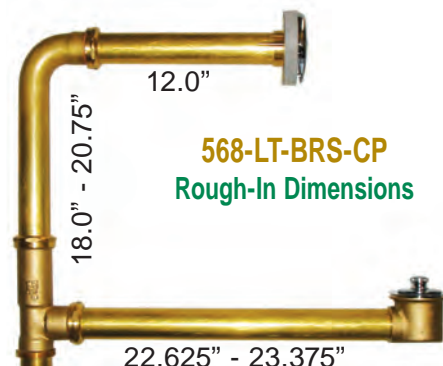
**568-LT-BRS-CP 158.45**

**568-PP-BRS-CP 165.45**

**568-PF-BRS-CP 163.10**

**568-FA-BRS-CP 157.35**

568s:  
10 Per Carton



568-LT-BRS-CP  
Rough-In Dimensions



Trim Kits: Pages 50 / Tub Closures: Pages 54



# Lavatory Drains

1.25" 17-Gauge Brass Pipe • Fine Thread: 18 tpi

Patented and Patents Pending  
See watcomfg.com for details.

20 Per Carton

Lavatory Drains: 800 / 801 / 700



800-PP

## 800 With Overflow



800-PP-BRS-CP 58.90

800-PF-BRS-CP 56.30

AP 93.45	CB 103.45
BB 100.40	NP 72.15
BN 76.80	PB 72.05
BZ 97.15	WI 86.15

Push Pull® and PresFlo® stoppers are available in both the 800 and 801 models.



801-PF

## 801 Without Overflow



801-PP-BRS-CP 57.20

801-PF-BRS-CP 54.80

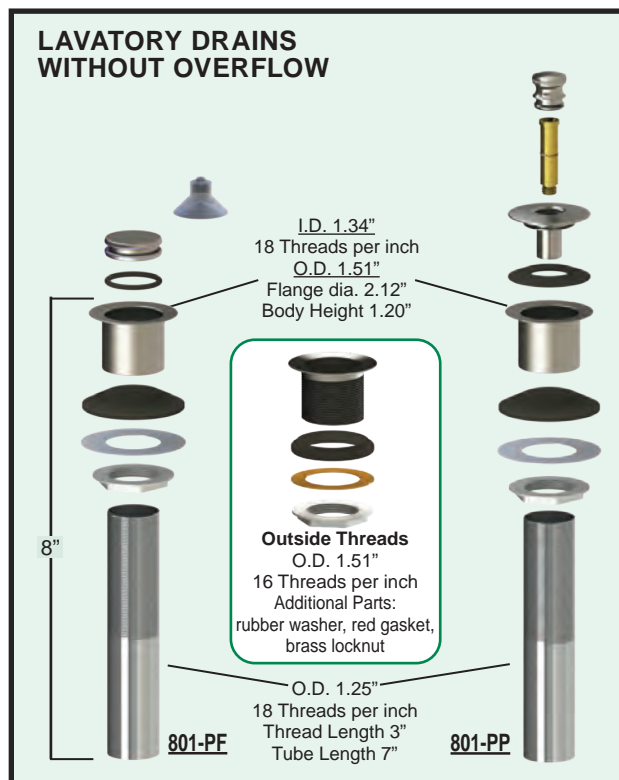
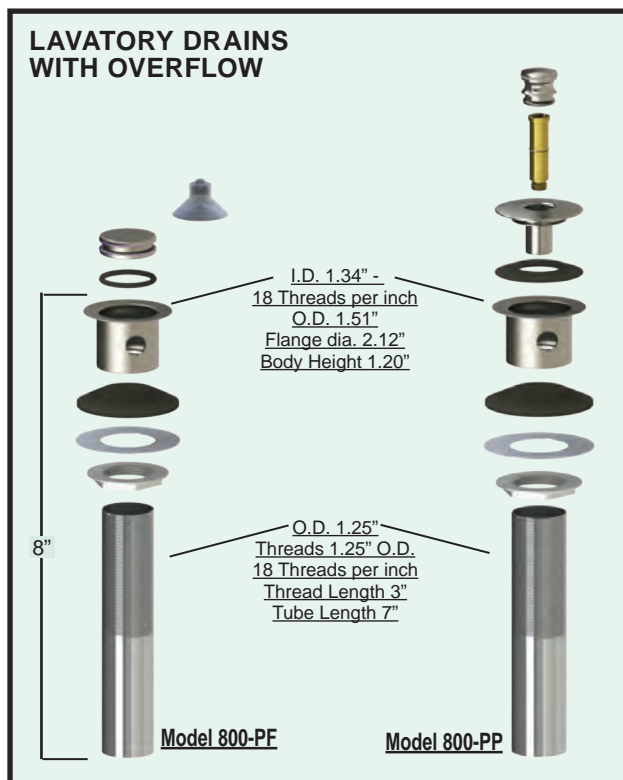
AP 101.85	NP 72.15
BB 100.40	PB 72.05
BN 76.10	WI 87.15
BZ 97.15	

FOR OUTSIDE THREADS ON 801's, ADD "OT" TO NUMBER. EXAMPLE: 801-PP-BRS-BN-OT

WHEN ADDING -OT TO ITEM #, ADD \$6.00 TO LIST PRICE



801-PP  
801-PF-OT



## 700 - ABS With Overflow

ABS PLASTIC WITH OVERFLOW; FINE THREAD

20 Per Carton

700-PP-ABS-CP 15.80

## 800/801 SPECIAL DRAIN TUBES

Please use the following codes when ordering lav drains with an upgraded drain tube:

CP12	12" Chrome Lav Tube	add	15.15
PT7	7" Plated Lav Tube	add	36.95
PT12	12" Plated Lav Tube	add	50.35

**BN-BZ-CB-NP-PB only.**

# Lavatory Drains

## IdealLav™



**Tubular PVC**



**Solid Brass - Chrome Plated**

- One piece drop tube for easy installation**
- Removable, replaceable grid strainer**
- Internal stopper seals below the grid strainer and holds water overnight**
- Fits standard sinks with overflow**
- Tube available in Tubular PVC or solid Brass - Chrome Plated**
- Grid Strainer can be purchased separately**
- 1 ¼" Tubular x 8 ½" Long**

**No PopUp -NPU Subtract \$4.00 List**

### IdealLav™ Standard Products

Product	Tube Material	Grid Strainer Mat'l.	Trim Finish	Part #	Price
Lav w/Grid Strainer-Plastic	Tubular PVC	ABS Plastic	Chrome	715-P-CP	27.50
Lav w/Grid Strainer-Plastic	Tubular PVC	ABS Plastic	Brushed Nickel	715-P-BN	35.05
Lav w/Grid Strainer-Plastic	Tubular PVC	ABS Plastic	Rubbed Bronze	715-P-BZ	42.20
Lav w/Grid Strainer-Brass	Tubular PVC	Brass	Chrome	715-B-CP	30.95
Lav w/Grid Strainer-Brass	Tubular PVC	Brass	Brushed Nickel	715-B-BN	37.75
Lav w/Grid Strainer-Brass	Tubular PVC	Brass	Rubbed Bronze	715-B-BZ	43.35
Lav w/Grid Strainer-Brass	Chrome Plated Brass	ABS Plastic	Chrome	815-P-CP	58.10
Lav w/Grid Strainer-Brass	Chrome Plated Brass	ABS Plastic	Brushed Nickel	815-P-BN	64.90
Lav w/Grid Strainer-Brass	Chrome Plated Brass	ABS Plastic	Rubbed Bronze	815-P-BZ	72.15
Lav w/Grid Strainer-Brass	Chrome Plated Brass	Brass	Chrome	815-B-CP	60.85
Lav w/Grid Strainer-Brass	Chrome Plated Brass	Brass	Brushed Nickel	815-B-BN	67.75
Lav w/Grid Strainer-Brass	Chrome Plated Brass	Brass	Rubbed Bronze	815-B-BZ	74.95

### Replacement Grid Strainers

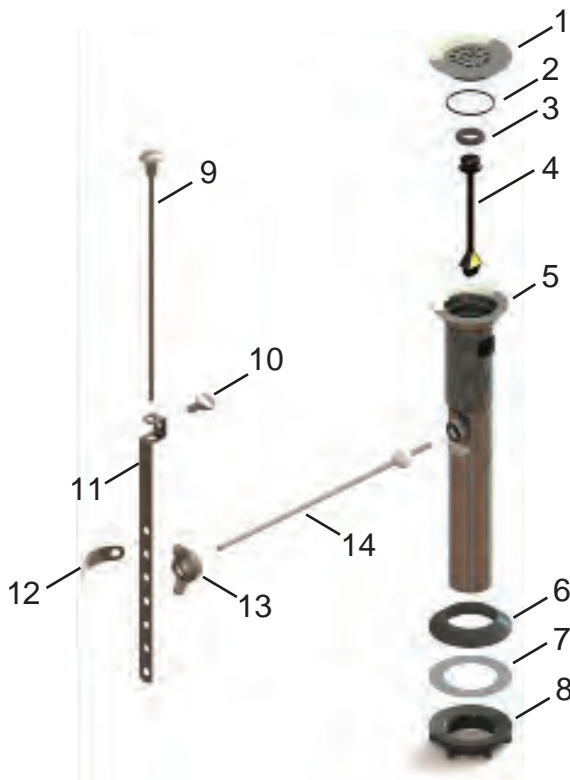
Material	Finish	Part #	Price
Plastic	Chrome	01056-CP	4.40
Plastic	Brushed Nickel	01056-BN	9.85
Plastic	Rubbed Bronze	01056-BZ	16.10
Brass	Chrome	01057-CP	7.95
Brass	Brushed Nickel	01057-BN	11.75
Brass	Rubbed Bronze	01057-BZ	17.10



# IdealLav™



## Parts List








Item	Part #	Description	Price
1	01054CP	IdealLav Brass Trim-CP	10.05
	01054BN	IdealLav Brass Trim-BN	11.60
	01054BZ	IdealLav Brass Trim-BZ	11.30
	01055CP	IdealLav Plastic Trim-CP	6.40
	01055BN	IdealLav Plastic Trim-BN	11.55
	01055BZ	IdealLav Plastic Trim-BN	12.00
2	11137	IdealLav Trim O-Ring	1.80
3	11135	IdealLav Stopper O-Ring	2.15
4	11151	IdealLav Stopper	3.60
5	10655CP	IdealLav Tube Brass	49.75
	10069	IdealLav Tube PVC	11.45
6	11506	IdealLav Outer Seal	2.65
7	10698	IdealLav Slip Washer	1.75
8	41581	IdealLav Large Nut Plastic	4.45
	41579	IdealLav Large Nut Metal	5.45
9	41052CP	IdealLav Lift Knob/Rod-CP	6.05
	41052BN	IdealLav Lift Knob/Rod-BN	10.40
	41052BZ	IdealLav Lift Knob/Rod-BZ	11.60
10	41048	IdealLav Thumb Screw	1.75
11	41049	IdealLav Clevis	2.85
12	41051	IdealLav Rod Clip	1.70
13	41046CP	IdealLav Pivot Ball Nut-CP	5.45
14	41045	IdealLav Rod Ball Assembly	4.10
15	41053	IdealLav Ball (NPU)	3.70

# Universal NuFit® Trim Kits & Tub Closures





NOTE: For carded trim kits, place "-C" at end of item number.

## INNOVATOR FACEPLATE - Trim Kit with Grid

10 Per Carton

				
No Silicone or Pin		3/8-5/16		
<b>94870N-PP-CP-G</b> PP Trim Kit with Grid Add desired option.	<b>948700-PP-CP-G</b> PP Trim Kit with Grid and Silicone Packet	<b>948700-PP-CP-G-47</b> PP Trim Kit with Grid, Silicone & #11547 Pin	<b>948700-PP-CP-G-2P</b> PP Trim Kit with Grid, Silicone, #47 & #51 Pins	<b>948700-PP-CP-G-3P</b> PP Trim Kit with Grid, Silicone & All 3 Pins
94870N-PP-CP-G 23.75	948700-PP-CP-G 25.95	948700-PP-CP-G-47 30.15	948700-PP-CP-G-2P 34.35	948700-PP-CP-G-3P 38.55
94870N-PP-BB-G 70.75	948700-PP-BB-G 73.45	948700-PP-BB-G-47 77.65	948700-PP-BB-G-2P 81.85	948700-PP-BB-G-3P 86.05
94870N-PP-BN-G 45.20	948700-PP-BN-G 47.40	948700-PP-BN-G-47 51.60	948700-PP-BN-G-2P 55.80	948700-PP-BN-G-3P 60.00
94870N-PP-BS-G 40.30	948700-PP-BS-G 42.50	948700-PP-BS-G-47 46.70	948700-PP-BS-G-2P 50.90	948700-PP-BS-G-3P 55.10
94870N-PP-BZ-G 43.95	948700-PP-BZ-G 46.45	948700-PP-BZ-G-47 50.65	948700-PP-BZ-G-2P 54.85	948700-PP-BZ-G-3P 59.05
94870N-PP-CB-G 83.90	948700-PP-CB-G 86.10	948700-PP-CB-G-47 90.30	948700-PP-CB-G-2P 94.50	948700-PP-CB-G-3P 98.70
94870N-PP-NP-G 53.20	948700-PP-NP-G 55.40	948700-PP-NP-G-47 59.60	948700-PP-NP-G-2P 63.80	948700-PP-NP-G-3P 68.00
94870N-PP-PB-G 52.40	948700-PP-PB-G 54.60	948700-PP-PB-G-47 58.80	948700-PP-PB-G-2P 63.00	948700-PP-PB-G-3P 67.20
94870N-PP-WH-G 36.05	948700-PP-WH-G 38.25	948700-PP-WH-G-47 42.45	948700-PP-WH-G-2P 46.65	948700-PP-WH-G-3P 50.85
94870N-PP-WI-G 57.75	948700-PP-WI-G 60.50	948700-PP-WI-G-47 64.70	948700-PP-WI-G-2P 68.90	948700-PP-WI-G-3P 73.10

## 1-HOLE FACEPLATE: (For 2-Hole, add "-2H" to part number)

				
No Silicone or Pin		3/8-5/16		
<b>4870N-PP-CP-G</b> PP Trim Kit with Grid Add desired option.	<b>48700-PP-CP-G</b> PP Trim Kit with Grid and Silicone Packet	<b>48700-PP-CP-G-47</b> PP Trim Kit with Grid, Silicone & #11547 Pin	<b>48700-PP-CP-G-2P</b> PP Trim Kit with Grid, Silicone, #47 & #51 Pins	<b>48700-PP-CP-G-3P</b> PP Trim Kit with Grid, Silicone & All 3 Pins
4870N-PP-CP-G 23.75	48700-PP-CP-G 25.95	48700-PP-CP-G-47 30.15	48700-PP-CP-G-2P 34.35	48700-PP-CP-G-3P 38.55
4870N-PP-BB-G 53.25	48700-PP-BB-G 55.95	48700-PP-BB-G-47 60.15	48700-PP-BB-G-2P 64.35	48700-PP-BB-G-3P 68.55
4870N-PP-BN-G 39.75	48700-PP-BN-G 41.95	48700-PP-BN-G-47 46.15	48700-PP-BN-G-2P 50.35	48700-PP-BN-G-3P 54.55
4870N-PP-BS-G 56.10	48700-PP-BS-G 58.30	48700-PP-BS-G-47 62.50	48700-PP-BS-G-2P 66.70	48700-PP-BS-G-3P 70.90
4870N-PP-BZ-G 42.35	48700-PP-BZ-G 44.55	48700-PP-BZ-G-47 48.75	48700-PP-BZ-G-2P 52.95	48700-PP-BZ-G-3P 57.15
4870N-PP-CB-G 79.05	48700-PP-CB-G 81.25	48700-PP-CB-G-47 85.45	48700-PP-CB-G-2P 89.65	48700-PP-CB-G-3P 93.85
4870N-PP-NP-G 50.95	48700-PP-NP-G 53.15	48700-PP-NP-G-47 57.35	48700-PP-NP-G-2P 61.55	48700-PP-NP-G-3P 65.75
4870N-PP-PB-G 47.40	48700-PP-PB-G 49.60	48700-PP-PB-G-47 53.80	48700-PP-PB-G-2P 58.00	48700-PP-PB-G-3P 62.20
4870N-PP-WH-G 44.20	48700-PP-WH-G 46.40	48700-PP-WH-G-47 50.60	48700-PP-WH-G-2P 54.80	48700-PP-WH-G-3P 59.00
4870N-PP-WI-G 48.70	48700-PP-WI-G 51.45	48700-PP-WI-G-47 55.65	48700-PP-WI-G-2P 59.85	48700-PP-WI-G-3P 64.05

## TUB CLOSURES - with Grid

20 Per Carton

				
No Silicone or Pin		3/8-5/16		
<b>4875N-PP-CP-G</b> PP Tub Closure - with Grid Add desired option.	<b>48750-PP-CP-G</b> PP Tub Closure with Grid and Silicone Packet	<b>48750-PP-CP-G-47</b> PP Tub Closure with Grid, Silicone & #11547 Pin	<b>48750-PP-CP-G-2P</b> PP Tub Closure with Grid, Silicone, #47 & #51 Pins	<b>48750-PP-CP-G-3P</b> PP Tub Closure with Grid, Silicone & All 3 Pins
4875N-PP-CP-G 17.20	48750-PP-CP-G 19.40	48750-PP-CP-G-47 23.60	48750-PP-CP-G-2P 27.80	48750-PP-CP-G-3P 32.00
4875N-PP-BB-G 35.95	48750-PP-BB-G 38.70	48750-PP-BB-G-47 42.90	48750-PP-BB-G-2P 47.10	48750-PP-BB-G-3P 51.30
4875N-PP-BN-G 32.90	48750-PP-BN-G 35.10	48750-PP-BN-G-47 39.30	48750-PP-BN-G-2P 43.50	48750-PP-BN-G-3P 47.70
4875N-PP-BS-G 31.80	48750-PP-BS-G 34.00	48750-PP-BS-G-47 38.20	48750-PP-BS-G-2P 42.40	48750-PP-BS-G-3P 46.60
4875N-PP-BZ-G 32.90	48750-PP-BZ-G 35.10	48750-PP-BZ-G-47 39.30	48750-PP-BZ-G-2P 43.50	48750-PP-BZ-G-3P 47.70
4875N-PP-CB-G 60.05	48750-PP-CB-G 62.25	48750-PP-CB-G-47 66.45	48750-PP-CB-G-2P 70.65	48750-PP-CB-G-3P 74.85
4875N-PP-NP-G 36.80	48750-PP-NP-G 39.00	48750-PP-NP-G-47 43.20	48750-PP-NP-G-2P 47.40	48750-PP-NP-G-3P 51.60
4875N-PP-PB-G 35.60	48750-PP-PB-G 37.80	48750-PP-PB-G-47 42.00	48750-PP-PB-G-2P 46.20	48750-PP-PB-G-3P 50.40
4875N-PP-WH-G 29.10	48750-PP-WH-G 31.30	48750-PP-WH-G-47 35.50	48750-PP-WH-G-2P 39.70	48750-PP-WH-G-3P 43.90
4875N-PP-WI-G 32.85	48750-PP-WI-G 35.60	48750-PP-WI-G-47 39.80	48750-PP-WI-G-2P 44.00	48750-PP-WI-G-3P 48.20



# Push Pull® Stopper - with Grid Body

## INNOVATOR FACEPLATE - Cont.



#11547 3/8-5/16

### 948701-PP-CP-G PP Trim Kit with Grid and #11547 Pin (-47)

948701-PP-CP-G	27.65
948701-PP-BB-G	75.30
948701-PP-BN-G	49.10
948701-PP-BS-G	44.20
948701-PP-BZ-G	48.15
948701-PP-CB-G	87.80
948701-PP-NP-G	57.10
948701-PP-PB-G	56.25
948701-PP-WH-G	39.95
948701-PP-WI-G	62.35



#10-24  
3/8-5/16

### 948701-PP-CP-G-2P PP Trim Kit with Grid, #47 & #51 Pins

948701-PP-CP-G-2P	36.05
948701-PP-BB-G-2P	83.70
948701-PP-BN-G-2P	57.50
948701-PP-BS-G-2P	52.60
948701-PP-BZ-G-2P	56.55
948701-PP-CB-G-2P	96.20
948701-PP-NP-G-2P	65.50
948701-PP-PB-G-2P	64.65
948701-PP-WH-G-2P	48.35
948701-PP-WI-G-2P	70.75



### 94870N-PP-CP-G-WB PP Trim Kit with Grid Watco Bonding Strip

94870N-PP-CP-G-WB	32.90
94870N-PP-BB-G-WB	79.90
94870N-PP-BN-G-WB	54.35
94870N-PP-BS-G-WB	49.45
94870N-PP-BZ-G-WB	53.10
94870N-PP-CB-G-WB	93.05
94870N-PP-NP-G-WB	62.35
94870N-PP-PB-G-WB	61.55
94870N-PP-WH-G-WB	45.20
94870N-PP-WI-G-WB	66.90

## REPLACEMENT STOPPER: Push Pull®



487SA-PP-CP	8.50	487SA-PP-CB	29.45
487SA-PP-BB	24.80	487SA-PP-NP	18.75
487SA-PP-BN	19.35	487SA-PP-PB	18.75
487SA-PP-BS	10.00	487SA-PP-WH	8.90
487SA-PP-BZ	15.45		

## 1-HOLE - Cont.



#11547 3/8-5/16

### 48701-PP-CP-G PP Trim Kit with Grid and #11547 Pin (-47)

48701-PP-CP-G	27.65
48701-PP-BB-G	57.80
48701-PP-BN-G	43.60
48701-PP-BS-G	60.00
48701-PP-BZ-G	46.25
48701-PP-CB-G	90.35
48701-PP-NP-G	54.85
48701-PP-PB-G	51.30
48701-PP-WH-G	48.10
48701-PP-WI-G	53.30



#10-24  
3/8-5/16

### 48701-PP-CP-G-2P PP Trim Kit with Grid, #47 & #51 Pins

48701-PP-CP-G-2P	36.05
48701-PP-BB-G-2P	66.20
48701-PP-BN-G-2P	52.00
48701-PP-BS-G-2P	68.40
48701-PP-BZ-G-2P	54.65
48701-PP-CB-G-2P	98.75
48701-PP-NP-G-2P	63.25
48701-PP-PB-G-2P	59.70
48701-PP-WH-G-2P	56.50
48701-PP-WI-G-2P	61.70



### 4870N-PP-CP-G-WB PP Trim Kit with Grid Watco Bonding Strip

4870N-PP-CP-G-WB	32.90
4870N-PP-BB-G-WB	62.40
4870N-PP-BN-G-WB	48.90
4870N-PP-BS-G-WB	65.25
4870N-PP-BZ-G-WB	51.50
4870N-PP-CB-G-WB	88.20
4870N-PP-NP-G-WB	60.10
4870N-PP-PB-G-WB	56.55
4870N-PP-WH-G-WB	53.35
4870N-PP-WI-G-WB	57.85

## 2-Hole Faceplate



**-2H**  
Add to end of part number.

## Additional Options: (Add to Part Number)

-47 #11547 Pin 3/8-5/16 Brass Pin 4.20	-54 #11554 Pin 1/4-20 Brass Pin 4.20	-51 #11551 Pin #10-24 Brass Pin 4.20	-SL Silicone Packet 4.20
-2P #47 & #51 Brass Pins 8.40	-2P2 #47 & #54 Brass Pins 8.40	-3P All 3 Brass Pins 12.60	-WB Watco Bonding Strip 4.60

## TUB CLOSURES - Cont.



#11547 3/8-5/16

### 48751-PP-CP-G PP Tub Closure with Grid and #11547 Pin (-47)

48751-PP-CP-G	21.10
48751-PP-BB-G	40.55
48751-PP-BN-G	36.80
48751-PP-BS-G	35.70
48751-PP-BZ-G	36.80
48751-PP-CB-G	63.90
48751-PP-NP-G	40.70
48751-PP-PB-G	39.70
48751-PP-WH-G	33.00
48751-PP-WI-G	37.45



#10-24  
3/8-5/16

### 48751-PP-CP-G-2P PP Tub Closure with Grid, #47 & #51 Pins

48751-PP-CP-G-2P	29.50
48751-PP-BB-G-2P	48.95
48751-PP-BN-G-2P	45.20
48751-PP-BS-G-2P	44.10
48751-PP-BZ-G-2P	45.20
48751-PP-CB-G-2P	72.30
48751-PP-NP-G-2P	49.10
48751-PP-PB-G-2P	48.10
48751-PP-WH-G-2P	41.40
48751-PP-WI-G-2P	45.85



### 4875N-PP-CP-G-WB PP Tub Closure - with Grid Watco Bonding Strip

4875N-PP-CP-G-WB	26.35
4875N-PP-BB-G-WB	45.10
4875N-PP-BN-G-WB	42.05
4875N-PP-BS-G-WB	40.95
4875N-PP-BZ-G-WB	42.05
4875N-PP-CB-G-WB	69.20
4875N-PP-NP-G-WB	45.95
4875N-PP-PB-G-WB	44.75
4875N-PP-WH-G-WB	38.25
4875N-PP-WI-G-WB	42.00

To add option, add \$4.20 per option to item base price:

<u>2 Options</u>	<u>3 Options</u>	<u>4 Options</u>	<u>5 Options</u>
Add: \$8.40	\$12.60	\$16.80	\$21.00






Individual Pins available in Parts section of price list.

# Universal NuFit® Trim Kits & Tub Closures






NOTE: For carded trim kits, place "-C" at end of item number.

## INNOVATOR FACEPLATE - Trim Kit without Grid

10 Per Carton

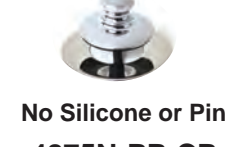




 <p><b>No Silicone or Pin</b></p> <p><b>94870N-PP-CP</b> PP Trim Kit without Grid <i>Add desired option.</i></p>		 <p><b>948700-PP-CP</b> PP Trim Kit without Grid and Silicone Packet</p>		 <p><b>948700-PP-CP-47</b> PP Trim Kit without Grid, Silicone &amp; #11547 Pin</p> <p>3/8-5/16</p>		 <p><b>948700-PP-CP-2P</b> PP Trim Kit without Grid, Silicone, #47 &amp; #51 Pins</p>		 <p><b>948700-PP-CP-3P</b> PP Trim Kit without Grid, Silicone &amp; All 3 Pins</p>	
94870N-PP-CP	23.75	948700-PP-CP	25.95	948700-PP-CP-47	30.15	948700-PP-CP-2P	34.35	948700-PP-CP-3P	38.55
94870N-PP-BB	70.75	948700-PP-BB	73.45	948700-PP-BB-47	77.65	948700-PP-BB-2P	81.85	948700-PP-BB-3P	86.05
94870N-PP-BN	45.20	948700-PP-BN	47.40	948700-PP-BN-47	51.60	948700-PP-BN-2P	55.80	948700-PP-BN-3P	60.00
94870N-PP-BS	40.30	948700-PP-BS	42.50	948700-PP-BS-47	46.70	948700-PP-BS-2P	50.90	948700-PP-BS-3P	55.10
94870N-PP-BZ	43.95	948700-PP-BZ	46.45	948700-PP-BZ-47	50.65	948700-PP-BZ-2P	54.85	948700-PP-BZ-3P	59.05
94870N-PP-CB	83.90	948700-PP-CB	86.10	948700-PP-CB-47	90.30	948700-PP-CB-2P	94.50	948700-PP-CB-3P	98.70
94870N-PP-NP	53.20	948700-PP-NP	55.40	948700-PP-NP-47	59.60	948700-PP-NP-2P	63.80	948700-PP-NP-3P	68.00
94870N-PP-PB	52.40	948700-PP-PB	54.60	948700-PP-PB-47	58.80	948700-PP-PB-2P	63.00	948700-PP-PB-3P	67.20
94870N-PP-WH	36.05	948700-PP-WH	38.25	948700-PP-WH-47	42.45	948700-PP-WH-2P	46.65	948700-PP-WH-3P	50.85
94870N-PP-WI	57.75	948700-PP-WI	60.50	948700-PP-WI-47	64.70	948700-PP-WI-2P	68.90	948700-PP-WI-3P	73.10

## 1-HOLE FACEPLATE: (For 2-Hole, add "-2H" to part number)

 <p><b>No Silicone or Pin</b></p> <p><b>4870N-PP-CP</b> PP Trim Kit without Grid <i>Add desired option.</i></p>		 <p><b>48700-PP-CP</b> PP Trim Kit without Grid and Silicone Packet</p>		 <p><b>48700-PP-CP-47</b> PP Trim Kit without Grid, Silicone &amp; #11547 Pin</p> <p>3/8-5/16</p>		 <p><b>48700-PP-CP-2P</b> PP Trim Kit without Grid, Silicone, #47 &amp; #51 Pins</p>		 <p><b>48700-PP-CP-3P</b> PP Trim Kit without Grid, Silicone &amp; All 3 Pins</p>	
4870N-PP-CP	23.75	48700-PP-CP	25.95	48700-PP-CP-47	30.15	48700-PP-CP-2P	34.35	48700-PP-CP-3P	38.55
4870N-PP-BB	53.25	48700-PP-BB	55.95	48700-PP-BB-47	60.15	48700-PP-BB-2P	64.35	48700-PP-BB-3P	68.55
4870N-PP-BN	39.75	48700-PP-BN	41.95	48700-PP-BN-47	46.15	48700-PP-BN-2P	50.35	48700-PP-BN-3P	54.55
4870N-PP-BS	56.10	48700-PP-BS	58.30	48700-PP-BS-47	62.50	48700-PP-BS-2P	66.70	48700-PP-BS-3P	70.90
4870N-PP-BZ	42.35	48700-PP-BZ	44.55	48700-PP-BZ-47	48.75	48700-PP-BZ-2P	52.95	48700-PP-BZ-3P	57.15
4870N-PP-CB	79.05	48700-PP-CB	81.25	48700-PP-CB-47	85.45	48700-PP-CB-2P	89.65	48700-PP-CB-3P	93.85
4870N-PP-NP	50.95	48700-PP-NP	53.15	48700-PP-NP-47	57.35	48700-PP-NP-2P	61.55	48700-PP-NP-3P	65.75
4870N-PP-PB	47.40	48700-PP-PB	49.60	48700-PP-PB-47	53.80	48700-PP-PB-2P	58.00	48700-PP-PB-3P	62.20
4870N-PP-WH	44.20	48700-PP-WH	46.40	48700-PP-WH-47	50.60	48700-PP-WH-2P	54.80	48700-PP-WH-3P	59.00
4870N-PP-WI	48.70	48700-PP-WI	51.45	48700-PP-WI-47	55.65	48700-PP-WI-2P	59.85	48700-PP-WI-3P	64.05

## TUB CLOSURES - without Grid

20 Per Carton

 <p><b>No Silicone or Pin</b></p> <p><b>4875N-PP-CP</b> PP Tub Closure - w/o Grid <i>Add desired option.</i></p>		 <p><b>48750-PP-CP</b> PP Tub Closure w/o Grid and Silicone Packet</p>		 <p><b>48750-PP-CP-47</b> PP Tub Closure w/o Grid, Silicone &amp; #11547 Pin</p> <p>3/8-5/16</p>		 <p><b>48750-PP-CP-2P</b> PP Tub Closure w/o Grid, Silicone, #47 &amp; #51 Pins</p>		 <p><b>48750-PP-CP-3P</b> PP Tub Closure w/o Grid, Silicone &amp; All 3 Pins</p>	
4875N-PP-CP	17.20	48750-PP-CP	19.40	48750-PP-CP-47	23.60	48750-PP-CP-2P	27.80	48750-PP-CP-3P	32.00
4875N-PP-BB	35.95	48750-PP-BB	38.70	48750-PP-BB-47	42.90	48750-PP-BB-2P	47.10	48750-PP-BB-3P	51.30
4875N-PP-BN	32.90	48750-PP-BN	35.10	48750-PP-BN-47	39.30	48750-PP-BN-2P	43.50	48750-PP-BN-3P	47.70
4875N-PP-BS	31.80	48750-PP-BS	34.00	48750-PP-BS-47	38.20	48750-PP-BS-2P	42.40	48750-PP-BS-3P	46.60
4875N-PP-BZ	32.90	48750-PP-BZ	35.10	48750-PP-BZ-47	39.30	48750-PP-BZ-2P	43.50	48750-PP-BZ-3P	47.70
4875N-PP-CB	60.05	48750-PP-CB	62.25	48750-PP-CB-47	66.45	48750-PP-CB-2P	70.65	48750-PP-CB-3P	74.85
4875N-PP-NP	36.80	48750-PP-NP	39.00	48750-PP-NP-47	43.20	48750-PP-NP-2P	47.40	48750-PP-NP-3P	51.60
4875N-PP-PB	35.60	48750-PP-PB	37.80	48750-PP-PB-47	42.00	48750-PP-PB-2P	46.20	48750-PP-PB-3P	50.40
4875N-PP-WH	29.10	48750-PP-WH	31.30	48750-PP-WH-47	35.50	48750-PP-WH-2P	39.70	48750-PP-WH-3P	43.90
4875N-PP-WI	32.85	48750-PP-WI	35.60	48750-PP-WI-47	39.80	48750-PP-WI-2P	44.00	48750-PP-WI-3P	48.20



# Push Pull® Stopper - without Grid Body

## INNOVATOR FACEPLATE - Cont.



#11547 3/8-5/16

**948701-PP-CP**  
PP Trim Kit without Grid and #11547 Pin (-47)

948701-PP-CP	27.65
948701-PP-BB	75.30
948701-PP-BN	49.10
948701-PP-BS	44.20
948701-PP-BZ	48.15
948701-PP-CB	87.80
948701-PP-NP	57.10
948701-PP-PB	56.25
948701-PP-WH	39.95
948701-PP-WI	62.35



#10-24 3/8-5/16

**948701-PP-CP-2P**  
PP Trim Kit without Grid, #47 & #51 Pins

948701-PP-CP-2P	36.05
948701-PP-BB-2P	83.70
948701-PP-BN-2P	57.50
948701-PP-BS-2P	52.60
948701-PP-BZ-2P	56.55
948701-PP-CB-2P	96.20
948701-PP-NP-2P	65.50
948701-PP-PB-2P	64.65
948701-PP-WH-2P	48.35
948701-PP-WI-2P	70.75



**94870N-PP-CP-WB**  
PP Trim Kit without Grid Watco Bonding Strip

94870N-PP-CP-WB	32.90
94870N-PP-BB-WB	79.90
94870N-PP-BN-WB	54.35
94870N-PP-BS-WB	49.45
94870N-PP-BZ-WB	53.10
94870N-PP-CB-WB	93.05
94870N-PP-NP-WB	62.35
94870N-PP-PB-WB	61.55
94870N-PP-WH-WB	45.20
94870N-PP-WI-WB	66.90

## 1-HOLE FACEPLATE - Cont.



#11547 3/8-5/16

**48701-PP-CP**  
PP Trim Kit without Grid and #11547 Pin (-47)

48701-PP-CP	27.65
48701-PP-BB	57.80
48701-PP-BN	43.60
48701-PP-BS	60.00
48701-PP-BZ	46.25
48701-PP-CB	90.35
48701-PP-NP	54.85
48701-PP-PB	51.30
48701-PP-WH	48.10
48701-PP-WI	53.30



#10-24 3/8-5/16

**48701-PP-CP-2P**  
PP Trim Kit without Grid, #47 & #51 Pins

48701-PP-CP-2P	36.05
48701-PP-BB-2P	66.20
48701-PP-BN-2P	52.00
48701-PP-BS-2P	68.40
48701-PP-BZ-2P	54.65
48701-PP-CB-2P	98.75
48701-PP-NP-2P	63.25
48701-PP-PB-2P	59.70
48701-PP-WH-2P	56.50
48701-PP-WI-2P	61.70



**4870N-PP-CP-WB**  
PP Trim Kit without Grid Watco Bonding Strip

4870N-PP-CP-WB	32.90
4870N-PP-BB-WB	62.40
4870N-PP-BN-WB	48.90
4870N-PP-BS-WB	65.25
4870N-PP-BZ-WB	51.50
4870N-PP-CB-WB	88.20
4870N-PP-NP-WB	60.10
4870N-PP-PB-WB	56.55
4870N-PP-WH-WB	53.35
4870N-PP-WI-WB	57.85

## TUB CLOSURES - Cont.



#11547 3/8-5/16

**48751-PP-CP**  
PP Tub Closure w/o Grid and #11547 Pin (-47)

48751-PP-CP	21.10
48751-PP-BB	40.55
48751-PP-BN	36.80
48751-PP-BS	35.70
48751-PP-BZ	36.80
48751-PP-CB	63.90
48751-PP-NP	40.70
48751-PP-PB	39.70
48751-PP-WH	33.00
48751-PP-WI	37.45



#10-24 3/8-5/16

**48751-PP-CP-2P**  
PP Tub Closure w/o Grid, #47 & #51 Pins

48751-PP-CP-2P	29.50
48751-PP-BB-2P	48.95
48751-PP-BN-2P	45.20
48751-PP-BS-2P	44.10
48751-PP-BZ-2P	45.20
48751-PP-CB-2P	72.30
48751-PP-NP-2P	49.10
48751-PP-PB-2P	48.10
48751-PP-WH-2P	41.40
48751-PP-WI-2P	45.85



**4875N-PP-CP-WB**  
PP Tub Closure - w/o Grid Watco Bonding Strip

4875N-PP-CP-WB	26.35
4875N-PP-BB-WB	45.10
4875N-PP-BN-WB	42.05
4875N-PP-BS-WB	40.95
4875N-PP-BZ-WB	42.05
4875N-PP-CB-WB	69.20
4875N-PP-NP-WB	45.95
4875N-PP-PB-WB	44.75
4875N-PP-WH-WB	38.25
4875N-PP-WI-WB	42.00

## REPLACEMENT STOPPER: Push Pull®



487SA-PP-CP	8.50	487SA-PP-CB	29.45
487SA-PP-BB	24.80	487SA-PP-NP	18.75
487SA-PP-BN	19.35	487SA-PP-PB	18.75
487SA-PP-BS	10.00	487SA-PP-WH	8.90
487SA-PP-BZ	15.45		

## 2-Hole Faceplate



**-2H**  
Add to end of part number.

## Additional Options: (Add to Part Number)

-47 #11547 Pin 3/8-5/16 Brass Pin 4.20	-54 #11554 Pin 1/4-20 Brass Pin 4.20	-51 #11551 Pin #10-24 Brass Pin 4.20	-SL Silicone Packet 4.20
-2P #47 & #51 Brass Pins 8.40	-2P2 #47 & #54 Brass Pins 8.40	-3P All 3 Brass Pins 12.60	-WB Watco Bonding Strip 4.60

To add option, add \$4.20 per option to item base price:

<u>2 Options</u>	<u>3 Options</u>	<u>4 Options</u>	<u>5 Options</u>
Add: \$8.40	\$12.60	\$16.80	\$21.00

Individual Pins available in Parts section of price list.

# Universal NuFit® Trim Kits & Tub Closures






NOTE: For carded trim kits, place "-C" at end of item number.

## INNOVATOR FACEPLATE - FA Trim Kit with Grid

10 Per Carton

 <b>No Silicone or Pin</b> <b>94870N-FA-CP-G</b> FA Trim Kit with Grid Add desired option.		 <b>948700-FA-CP-G</b> FA Trim Kit with Grid and Silicone Packet		 3/8-5/16 <b>948700-FA-CP-G-47</b> FA Trim Kit with Grid, Silicone & #11547 Pin		 <b>948700-FA-CP-G-2P</b> FA Trim Kit with Grid, Silicone, #47 & #51 Pins		 <b>948700-FA-CP-G-3P</b> FA Trim Kit with Grid, Silicone & All 3 Pins	
94870N-FA-CP-G	28.10	948700-FA-CP-G	30.30	948700-FA-CP-G-47	34.50	948700-FA-CP-G-2P	38.70	948700-FA-CP-G-3P	42.90
94870N-FA-AB-G	116.50	948700-FA-AB-G	118.70	948700-FA-AB-G-47	122.90	948700-FA-AB-G-2P	127.10	948700-FA-AB-G-3P	131.30
94870N-FA-BN-G	45.05	948700-FA-BN-G	47.25	948700-FA-BN-G-47	51.45	948700-FA-BN-G-2P	55.65	948700-FA-BN-G-3P	59.85
94870N-FA-BZ-G	45.05	948700-FA-BZ-G	47.25	948700-FA-BZ-G-47	51.45	948700-FA-BZ-G-2P	55.65	948700-FA-BZ-G-3P	59.85
94870N-FA-CB-G	92.90	948700-FA-CB-G	95.10	948700-FA-CB-G-47	99.30	948700-FA-CB-G-2P	103.50	948700-FA-CB-G-3P	107.70
94870N-FA-PB-G	49.20	948700-FA-PB-G	51.40	948700-FA-PB-G-47	55.60	948700-FA-PB-G-2P	59.80	948700-FA-PB-G-3P	64.00
94870N-FA-WH-G	41.55	948700-FA-WH-G	43.75	948700-FA-WH-G-47	47.95	948700-FA-WH-G-2P	52.15	948700-FA-WH-G-3P	56.35
94870N-FA-WI-G	75.75	948700-FA-WI-G	77.95	948700-FA-WI-G-47	82.15	948700-FA-WI-G-2P	86.35	948700-FA-WI-G-3P	90.55

## 1-HOLE : (For 2-Hole, add "-2H" to part number)

 <b>No Silicone or Pin</b> <b>4870N-FA-CP-G</b> FA Trim Kit with Grid Add desired option.		 <b>48700-FA-CP-G</b> FA Trim Kit with Grid and Silicone Packet		 3/8-5/16 <b>48700-FA-CP-G-47</b> FA Trim Kit with Grid, Silicone & #11547 Pin		 <b>48700-FA-CP-G-2P</b> FA Trim Kit with Grid, Silicone, #47 & #51 Pins		 <b>48700-FA-CP-G-3P</b> FA Trim Kit with Grid, Silicone & All 3 Pins	
4870N-FA-CP-G	28.10	48700-FA-CP-G	30.30	48700-FA-CP-G-47	34.50	48700-FA-CP-G-2P	38.70	48700-FA-CP-G-3P	42.90
4870N-FA-AB-G	116.50	48700-FA-AB-G	118.70	48700-FA-AB-G-47	122.90	48700-FA-AB-G-2P	127.10	48700-FA-AB-G-3P	131.30
4870N-FA-BN-G	40.25	48700-FA-BN-G	42.45	48700-FA-BN-G-47	46.65	48700-FA-BN-G-2P	50.85	48700-FA-BN-G-3P	55.05
4870N-FA-BZ-G	43.85	48700-FA-BZ-G	46.05	48700-FA-BZ-G-47	50.25	48700-FA-BZ-G-2P	54.45	48700-FA-BZ-G-3P	58.65
4870N-FA-CB-G	90.90	48700-FA-CB-G	93.10	48700-FA-CB-G-47	97.30	48700-FA-CB-G-2P	101.50	48700-FA-CB-G-3P	105.70
4870N-FA-PB-G	47.40	48700-FA-PB-G	49.60	48700-FA-PB-G-47	53.80	48700-FA-PB-G-2P	58.00	48700-FA-PB-G-3P	62.20
4870N-FA-WH-G	47.20	48700-FA-WH-G	49.40	48700-FA-WH-G-47	53.60	48700-FA-WH-G-2P	57.80	48700-FA-WH-G-3P	62.00
4870N-FA-WI-G	75.15	48700-FA-WI-G	77.35	48700-FA-WI-G-47	81.55	48700-FA-WI-G-2P	85.75	48700-FA-WI-G-3P	89.95

## TUB CLOSURES - FA with Grid

20 Per Carton

 <b>No Silicone or Pin</b> <b>4875N-FA-CP-G</b> FA Tub Closure - with Grid Add desired option.		 <b>48750-FA-CP-G</b> FA Tub Closure with Grid and Silicone Packet		 3/8-5/16 <b>48750-FA-CP-G-47</b> FA Tub Closure with Grid, Silicone & #11547 Pin		 <b>48750-FA-CP-G-2P</b> FA Tub Closure with Grid, Silicone, #47 & #51 Pins		 <b>48750-FA-CP-G-3P</b> FA Tub Closure with Grid, Silicone & All 3 Pins	
4875N-FA-CP-G	21.05	48750-FA-CP-G	23.25	48750-FA-CP-G-47	27.45	48750-FA-CP-G-2P	31.65	48750-FA-CP-G-3P	35.85
4875N-FA-AB-G	109.50	48750-FA-AB-G	111.70	48750-FA-AB-G-47	115.90	48750-FA-AB-G-2P	120.10	48750-FA-AB-G-3P	124.30
4875N-FA-BN-G	32.90	48750-FA-BN-G	35.10	48750-FA-BN-G-47	39.30	48750-FA-BN-G-2P	43.50	48750-FA-BN-G-3P	47.70
4875N-FA-BZ-G	32.90	48750-FA-BZ-G	35.10	48750-FA-BZ-G-47	39.30	48750-FA-BZ-G-2P	43.50	48750-FA-BZ-G-3P	47.70
4875N-FA-CB-G	69.00	48750-FA-CB-G	71.20	48750-FA-CB-G-47	75.40	48750-FA-CB-G-2P	79.60	48750-FA-CB-G-3P	83.80
4875N-FA-PB-G	35.60	48750-FA-PB-G	37.80	48750-FA-PB-G-47	42.00	48750-FA-PB-G-2P	46.20	48750-FA-PB-G-3P	50.40
4875N-FA-WH-G	34.65	48750-FA-WH-G	36.85	48750-FA-WH-G-47	41.05	48750-FA-WH-G-2P	45.25	48750-FA-WH-G-3P	49.45
4875N-FA-WI-G	33.45	48750-FA-WI-G	35.65	48750-FA-WI-G-47	39.85	48750-FA-WI-G-2P	44.05	48750-FA-WI-G-3P	48.25



# Foot Actuated Stopper - with Grid Body Only

## INNOVATOR FACEPLATE - Cont.



#11547 3/8-5/16

**948701-FA-CP-G**  
FA Trim Kit with Grid and #11547 Pin (-47)



#10-24 3/8-5/16

**948701-FA-CP-G-2P**  
FA Trim Kit with Grid, #47 & #51 Pins



**94870N-FA-CP-G-WB**  
FA Trim Kit with Grid Watco Bonding Strip

948701-FA-CP-G	32.00	948701-FA-CP-G-2P	40.40	94870N-FA-CP-G-WB	37.25
948701-FA-AB-G	120.35	948701-FA-AB-G-2P	128.75	94870N-FA-AB-G-WB	125.65
948701-FA-BN-G	48.90	948701-FA-BN-G-2P	57.30	94870N-FA-BN-G-WB	54.20
948701-FA-BZ-G	48.90	948701-FA-BZ-G-2P	57.30	94870N-FA-BZ-G-WB	54.20
948701-FA-CB-G	96.80	948701-FA-CB-G-2P	105.20	94870N-FA-CB-G-WB	102.05
948701-FA-PB-G	51.30	948701-FA-PB-G-2P	59.70	94870N-FA-PB-G-WB	58.35
948701-FA-WH-G	45.45	948701-FA-WH-G-2P	53.85	94870N-FA-WH-G-WB	50.70
948701-FA-WI-G	79.60	948701-FA-WI-G-2P	88.00	94870N-FA-WI-G-WB	84.90

FA Replacement Stopper NOT Available.

## 1-HOLE - Cont.



#11547 3/8-5/16

**48701-FA-CP-G**  
FA Trim Kit with Grid and #11547 Pin (-47)



#10-24 3/8-5/16

**48701-FA-CP-G-2P**  
FA Trim Kit with Grid, #47 & #51 Pins



**4870N-FA-CP-G-WB**  
FA Trim Kit with Grid Watco Bonding Strip

48701-FA-CP-G	32.00	48701-FA-CP-G-2P	40.40	4870N-FA-CP-G-WB	37.25
48701-FA-AB-G	120.35	48701-FA-AB-G-2P	128.75	4870N-FA-AB-G-WB	125.65
48701-FA-BN-G	44.10	48701-FA-BN-G-2P	52.50	4870N-FA-BN-G-WB	49.40
48701-FA-BZ-G	47.75	48701-FA-BZ-G-2P	56.15	4870N-FA-BZ-G-WB	53.00
48701-FA-CB-G	94.80	48701-FA-CB-G-2P	103.20	4870N-FA-CB-G-WB	100.05
48701-FA-PB-G	51.30	48701-FA-PB-G-2P	59.70	4870N-FA-PB-G-WB	56.55
48701-FA-WH-G	51.10	48701-FA-WH-G-2P	59.50	4870N-FA-WH-G-WB	56.35
48701-FA-WI-G	79.05	48701-FA-WI-G-2P	87.45	4870N-FA-WI-G-WB	84.30

## 2-Hole Faceplate



**-2H**  
Add to end of part number.

## Additional Options: (Add to Part Number)

-47 #11547 Pin 3/8-5/16 Brass Pin 4.20	-54 #11554 Pin 1/4-20 Brass Pin 4.20	-51 #11551 Pin #10-24 Brass Pin 4.20	-SL Silicone Packet 4.20
-2P #47 & #51 Brass Pins 8.40	-2P2 #47 & #54 Brass Pins 8.40	-3P All 3 Brass Pins 12.60	-WB Watco Bonding Strip 4.60

## TUB CLOSURES - Cont.



#11547 3/8-5/16

**48751-FA-CP-G**  
FA Tub Closure with Grid and #11547 Pin (-47)



#10-24 3/8-5/16

**48751-FA-CP-G-2P**  
FA Tub Closure with Grid, #47 & #51 Pins



**4875N-FA-CP-G-WB**  
FA Tub Closure - with Grid Watco Bonding Strip

48751-FA-CP-G	24.95	48751-FA-CP-G-2P	33.35	4875N-FA-CP-G-WB	30.20
48751-FA-AB-G	113.35	48751-FA-AB-G-2P	121.75	4875N-FA-AB-G-WB	118.65
48751-FA-BN-G	36.80	48751-FA-BN-G-2P	45.20	4875N-FA-BN-G-WB	42.05
48751-FA-BZ-G	36.80	48751-FA-BZ-G-2P	45.20	4875N-FA-BZ-G-WB	42.05
48751-FA-CB-G	72.90	48751-FA-CB-G-2P	81.30	4875N-FA-CB-G-WB	78.15
48751-FA-PB-G	39.50	48751-FA-PB-G-2P	47.90	4875N-FA-PB-G-WB	44.75
48751-FA-WH-G	38.50	48751-FA-WH-G-2P	46.90	4875N-FA-WH-G-WB	43.80
48751-FA-WI-G	37.35	48751-FA-WI-G-2P	45.75	4875N-FA-WI-G-WB	42.60

To add option, add \$4.20 per option to item base price:

2 Options    3 Options    4 Options    5 Options  
Add: \$8.40    \$12.60    \$16.80    \$21.00

Individual Pins available in Parts section of price list.

# Trim Kits

Patented and Patents Pending  
See watcomfg.com for details.

*NOTE: For carded trim kits, place "-C" at end of item number.*

# NuFit® Kits

## NuFit®

NuFit® kits and tub closures easily and quickly install over existing strainer bodies, requiring only the provided silicone adhesive.

### NuFit®-Innovator®

*Converts conventional overflow and drain to Innovator® snap-on overflow plate and NuFit® strainer body.* Includes one each of #11121 Star Retainer Nut, #11641 Adapter Bar, Innovator® Overflow Plate, NuFit® body, stopper assembly, and silicone adhesive.

#### PRESFLO® TRIM KITS



**948100-CP 32.55**  
**Metal Stopper ADD call**

OTHER PF	AP	113.90	CB	98.25
FINISHES:	BN	63.60	PB	75.65
	BZ	82.70	WI	91.65

#### PUSH PULL® TRIM KITS



**948500-CP 37.10**

OTHER LT	BN	58.75	PB	60.80
FINISHES:	BS	70.35	WH	53.45
	BZ	75.80		

10 Per Carton

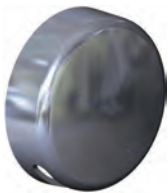
#### LIFT AND TURN TRIM KITS



**948400-CP 33.50**

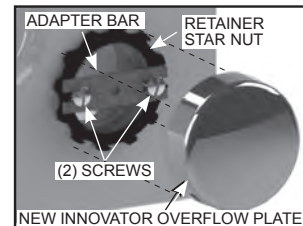
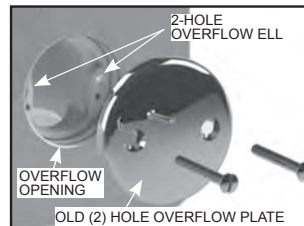
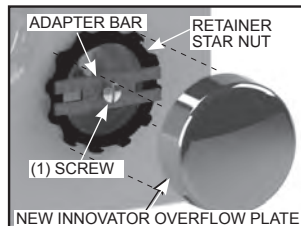
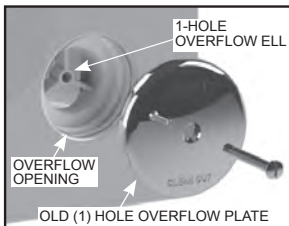
OTHER LT	BN	51.70	CB	82.50
FINISHES:	BZ	72.55	PB	53.55

*See next page for additional NuFit® models.*



### Convert an existing 1-hole or 2-hole faceplate to the Innovator® snap-on faceplate.

#### INSTRUCTIONS FOR CONVERTING AN EXISTING 1-HOLE OR 2-HOLE OVERFLOW PLATE TO A NEW WATCO SNAP-ON INNOVATOR® OVERFLOW PLATE



1. Remove old 1-hole Overflow Plate. Save old screw and re-use.
2. Thread screw all the way into the Adapter Bar.
3. Center and hold the Retainer Star Nut, with prongs pointing out, onto the overflow opening.
4. Thread the screw, with adapter bar, into the Overflow Ell screw hole.
5. Snug the Adapter Bar up to the Retainer Star Nut. **DO NOT OVER TIGHTEN.**
6. Snap on the new Innovator Overflow Plate with the overflow opening facing down.

1. Remove old 2-hole Overflow Plate. Save old screws and re-use.
2. Center and hold the Retainer Star Nut, with prongs pointing out, and Adapter Bar onto overflow opening in position shown.
3. Pass the 2 screws through the end slots of the Adapter Bar and thread into the Overflow Ell screw holes.
4. Snug the Adapter Bar up to the Retainer Star Nut. **DO NOT OVER TIGHTEN.**
5. Snap on the new Innovator Overflow Plate with the overflow opening facing down.

©2013 Watco Manufacturing Co. 1220 South Powell Road, Independence, MO 64057 816.796.3900 www.watcomfg.com



18900 0613



AVAILABLE IN 2-HOLE: Add "2H" to part number. (Example: 48100-CP-2H)

## PRESFLO®



### #48100 Trim Kit

Brass body, plastic stopper assembly, metal overflow plate, adapter bar, screw, suction cup, and silicone adhesive.



For metal stopper, add "-MS".

10 Per Carton

48100-CP 33.35

Metal Stopper ADD call

AP	106.45	CB	93.50
BN	64.55	PB	63.60
BZ	77.70	WI	82.75



### #48200 Tub Closure

Brass body, plastic stopper assembly, suction cup, and silicone adhesive.



For metal stopper, add "-MS".

20 Per Carton

48200-CP 26.60

Metal Stopper ADD call

AP	71.25	CB	74.40
BN	51.55	PB	46.50
BZ	68.00	WI	66.75

### NuFIT® PRESFLO® FEATURES

*Does not need crossbars in old body.*

Requires minimum 1.490" I.D. opening  
Flange covers maximum of 2.875" O.D.  
Depth clearance needed = .850"

## PUSH PULL®



### #48500 Trim Kit

Brass body, brass stopper assembly, 3/8" and 5/16" brass pins, metal overflow plate, adapter bar, screw, and silicone adhesive. Old strainer body must have crossbars.

10 Per Carton

48500-CP 36.80

BN	58.75	PB	72.55
BS	85.45	WH	66.25
BZ	72.15		



### #48600 Tub Closure

Brass body, brass stopper assembly, 3/8" and 5/16" brass pins, and silicone adhesive. Old strainer body must have crossbars.

20 Per Carton

48600-CP 30.05

BN	41.85	PB	46.50
BS	60.85	WH	56.80
BZ	61.40		

### NuFIT® PUSH PULL® FEATURES

*Old body MUST have crossbars.*

Requires minimum 1.410" I.D. opening  
Flange covers maximum of 2.875" O.D.  
Depth clearance needed = .860"

## LIFT AND TURN



### #48400 Trim Kit

Brass body, brass stopper assembly, metal overflow plate, adapter bar, screw, and silicone adhesive. Has crossbars in body.

10 Per Carton

48400-CP 34.65

BN	63.60	CB	80.30
BZ	63.60	PB	63.60

### LIFT AND TURN REPLACEMENT STOPPER

See #38812 on page 58.



### #48300 Tub Closure

Brass body, brass stopper assembly, and silicone adhesive. Comes with crossbars in strainer body.

20 Per Carton

48300-CP 26.45

BN	41.85	CB	66.30
BZ	57.80	PB	46.50

### NuFIT® LIFT AND TURN FEATURES

*Does NOT need crossbars in old body.*

Requires minimum 1.390" I.D. opening  
Flange covers maximum of 2.875" O.D.  
Depth clearance needed = .390"

# Trim Kits

Patented and Patents Pending  
See watcomfg.com for details.

*NOTE: For carded trim kits, place "-C" at end of item number.*

# QuickTrim® Kits

## QuickTrim® Kits

Install chrome on the rough-in and easily upgrade to a special finish without removing the strainer body!

- Sturdy stainless steel looks as good as the original strainer body.
- No reduction in flow rate.
- Produces very little additional height or inside-diameter reduction.
- Uses an o-ring for a tight, snug fit (one for brass strainer bodies and one for zinc strainer bodies).
- Eliminates destroying the integrity of your test.
- Eliminates labor required to remove and replace the strainer body.
- Eliminates the possibility of cross-threading or damaging the tub when replacing the strainer body, or of the drain fitting moving out of line due to being stressed during installation (can require cutting open the sheetrock to repair).

**Designed for use on Watco's coarse-thread (1.865" - 11.5) strainer bodies: brass body #01016 and zinc body #11492**

**Will NOT work with PRESFLO® stoppers.**

### Strainer Body Covers

Existing stopper is to be used and existing strainer body must have good crossbars.



**91050-CP 8.60**

20 Per Carton

AP 31.75	BO 18.10	CB 29.05	WH 18.25
BB 41.85	BS 18.10	NP 41.85	WI 12.70
BN 14.85	BZ 14.85	PB 47.35	

### Tub Closures

Existing strainer body must have good crossbars.



#### Brass Knob & Stopper

**Lift and Turn 91615-CP 20.15** 20 Per Carton

**PUSH PULL® 91610-CP 20.15**

**Foot Actuated 91618-CP 20.15**

**FA only in BB-BN-BZ-CB-CP-NP-PB-WI**

AP 76.95	BO 41.25	CB 42.70	WH 36.75
BB 59.30	BS 41.25	NP 55.75	WI 29.80
BN 32.95	BZ 32.95	PB 66.10	

### Innovator® QuickTrim®

**Lift and Turn 959290-CP 24.45**

**PUSH PULL® 939290-CP 24.45**

**Foot Actuated 969290-CP 24.00**

**FA only in BB-BN-BZ-CB-CP-NP-PB-WI**



10 Per Carton

AP 116.50	BO 56.00	CB 55.60	WH 45.25
BB 69.80	BS 56.00	NP 70.00	WI 50.60
BN 42.30	BZ 42.95	PB 80.05	

**TO ADD STAR RETAINER NUT & ADAPTER BAR, ADD "-11" TO PART NUMBER.**

**EXAMPLE: 959290-CP-11. ADD \$2.65 TO LIST PRICE.**

### 1-Hole Overflow

#### QuickTrim®

FOR 2-HOLE OVERFLOW  
ADD "-2H" TO PART NUMBER.

EXAMPLE: 59290-CP-2H

**Lift and Turn 59290-CP 27.65**

**PUSH PULL® 39290-CP 27.65**

**Foot Actuated 69290-CP 27.65**

**FA only in BB-BN-BZ-CB-CP-NP-PB-WI**



10 Per Carton

AP 112.05	BO 74.15	CB 53.85	WH 50.45
BB 69.80	BS 74.15	NP 69.10	WI 50.60
BN 39.50	BZ 40.55	PB 77.75	

### Universal Innovator®

#### QuickTrim®

Innovator® faceplate, strainer body cover, two o-rings, PUSH PULL® stopper assembly with 3/8" and 5/16" pins, adapter bar, retainer star nut, and silicone adhesive.



**U939290-CP 31.90**

10 Per Carton

AP 122.00	BO 64.90	CB 73.05	WH 57.10
BB 73.65	BS 64.90	NP 86.70	WI 58.40
BN 51.75	BZ 51.75	PB 88.95	

### Universal 1-Hole QuickTrim®

10 Per Carton

1-hole faceplate and faceplate screw, strainer body cover, two o-rings, PUSH PULL® stopper assembly with 3/8" and 5/16" pins, adapter bar, and silicone adhesive.



**U39290-CP 31.90**

AP 110.35	BO 79.90	CB 73.05	WH 57.10
BB 73.65	BS 79.90	NP 98.95	WI 58.40
BN 51.75	BZ 51.75	PB 83.55	

FOR 2-HOLE OVERFLOW PLATE, ADD "2H" TO ITEM NUMBER.



## 528 Brass Cable Trim Kit

### Trim Only

Overflow plate and overflow plate locking screw, TurnStyle® overflow mount without prongs, full-cover stopper with washer, and cable strainer body.



**52800-CP 66.45**

**52800**

BN135.15	BZ 157.75	PB 130.05
BO131.95	CB 185.45	WH 123.60
BS131.95	NP 109.70	WI 185.10

10 Per Carton

### Conversion Kit

Conversion kit with a short stopper converts a cable drain stopper to a Lift and Turn stopper assembly.



**48301-CP 27.15**

**48301**

BN 30.30	BZ 32.45	PB 36.85
BO 49.70	CB 36.45	WH 28.80
BS 49.70	NP 28.80	WI 35.40

20 Per Carton

## Innovator Cable® Innovator CableFlex®

**92999**

Fits all Innovator Cable® and CableFlex® models.

Strainer body, core guide, cable faceplate, screw, stopper assembly, and overflow elbow retainer nut.



**92888**

### Innovator Cable® Trim Kits

**92999-CP 64.75**

AP228.10	BS 106.70	NP 163.50
BB129.05	BZ 103.55	PB 150.80
BN 99.90	CB 152.45	WH 69.60
		WI 129.50

### Innovator Cable® Trim Kits with ADA Handle

**92999-CPAD 76.75**

APAD276.80	BSAD 130.80	NPAD 213.45
BBAD140.30	BZAD 131.25	PBAD 182.50
BNAD110.95	CBAD 180.40	WHAD 100.60

10 Per Carton

Fits all Innovator Cable® and CableFlex® models.

Stopper assembly, cable faceplate, screw, strainer body cover, o-ring, and cable overflow retainer nut cover.



**QuickTrim®**

No need to replace strainer body.

### Innovator Cable® Trim Kits with QuickTrim® body cover

**92888-CP 57.45**

AP228.10	BS 98.15	NP 183.95
BB152.00	BZ 95.15	PB 192.70
BN 95.85	CB 147.60	WH 68.25
		WI 122.05

### Innovator Cable® Trim Kits with ADA Handle and QuickTrim® body cover

**92888-CPAD 73.50**

APAD	279.90	BSAD	120.05	NPAD	248.40
BBAD	163.25	BZAD	121.45	PBAD	241.80
BNAD	116.50	CBAD	180.80	WHAD	98.60

10 Per Carton

### Repair Kit

For all Innovator Cable® models

**#92900  
24.70**

(See drawing on page 58 for what is included in Repair Kit.)

# Trim Kits

# 11.5- & 12-Thread Bodies - Coarse Thread

Patented/Patent Pending

NOTE: For carded trim kits, place "-C" at end of item number.

## 11.5-Thread Innovator® (Coarse Thread)

WITH SNAP-ON OVERFLOW PLATE



10 Per Carton

## 11.5-Thread

### 1-Hole OF Plate



FOR 2-HOLE OVERFLOW PLATE, ADD "2H" TO ITEM NUMBER. (Example: 58290-CP-2H)



10 Per Carton

### Change trim finishes on Innovator® bath wastes.

Thread size: 1.865" O.D. - 11.5 tpi x 1.25' depth Flange: 2-7/8"

Trade designation 1-1/2" x 11.5 Coarse Thread

<b>Lift and Turn</b>	<b>958290-CP</b>	<b>28.35</b>	<i>Includes:</i>		
<b>PUSH PULL®</b>	<b>938290-CP</b>	<b>30.25</b>	Innovator® OF Plate,		
<b>PRESFLO®</b>	<b>938250-CP</b>	<b>25.85</b>	11.5 tpi Body, and		
<b>PF NOT in BO-BS-WH</b>			Stopper Assembly		
<b>Foot Actuated</b>	<b>968290-CP</b>	<b>25.25</b>			
<b>FA: in BB-BN-BZ-CB-CP-NP-PB-WI</b>					

AP 114.25	BO 60.30	CB 92.95	WH 38.05
BB 68.40	BS 60.30	NP 67.55	WI 53.95
BN 47.75	BZ 55.55	PB 65.05	

Thread size: 1.865" O.D. x 11.5 tpi - 1.25' depth Flange: 2-7/8"

Trade designation 1-1/2" x 11.5 - Coarse Thread

<b>Lift and Turn</b>	<b>58290-CP</b>	<b>33.75</b>	<i>Includes:</i>		
<b>PUSH PULL®</b>	<b>38290-CP</b>	<b>33.70</b>	1-Hole OF Plate,		
<b>PRESFLO®</b>	<b>38250-CP</b>	<b>27.85</b>	1 OF Plate Screw,		
<b>PF NOT in BO-BS-WH</b>			11.5 tpi Body,		
<b>Foot Actuated</b>	<b>68290-CP</b>	<b>26.10</b>	Stopper Assembly,		
<b>FA: in BB-BN-BZ-CB-CP-NP-PB-WI</b>					

AP 105.55	BO 78.40	CB 77.45	WH 60.95
BB 55.50	BS 78.40	NP 75.55	WI 48.75
BN 49.35	BZ 54.00	PB 62.75	

Above trim kits with 38105 bushing, converts to 2.11" O.D. - 16 tpi

<b>Lift and Turn</b>	<b>58390-CP</b>	<b>43.45</b>	<i>Fits Kohler 7150</i>	
<b>PUSH PULL®</b>	<b>38390-CP</b>	<b>43.40</b>	<i>bath wastes</i>	
<b>PRESFLO®</b>	<b>38280-CP</b>	<b>37.55</b>		
<b>PF NOT in BO-BS-WH</b>				
<b>Foot Actuated</b>	<b>68390-CP</b>	<b>35.75</b>		
<b>FA: in BB-BN-BZ-CB-CP-NP-PB-WI</b>				

AP 115.25	BO 88.10	CB 87.15	WH 70.65
BB 66.00	BS 88.10	NP 85.25	WI 58.40
BN 59.05	BZ 63.70	PB 72.45	

### WIDE FLANGE Strainer Bodies

Thread size: 1.865" O.D. - 11.5 tpi - 1.25" depth Flange: 3.00"

Trade designation 1-1/2" x 11.5 - Coarse Thread

<b>Lift and Turn</b>	<b>58296-CP</b>	<b>34.80</b>	<i>Includes:</i>	
<b>PUSH PULL®</b>	<b>38296-CP</b>	<b>34.75</b>	1-Hole OF Plate,	
<b>Foot Actuated</b>	<b>68296-CP</b>	<b>30.75</b>	1 OF Plate Screw,	
11.5 tpi Body with				
3.00" Flange,				
Stopper Assembly,				
Adapter Bar				

OTHER FINISH AVAILABLE: PB... **60.70**

Above trim kits with 38105 bushing and WIDE FLANGE Flange: 3.00"  
Converts to 2.11" O.D. - 16 tpi

<b>Lift and Turn</b>	<b>58390W-CP</b>	<b>44.50</b>	<b>PB</b>	<b>70.35</b>
<b>PUSH PULL®</b>	<b>38390W-CP</b>	<b>44.40</b>	<b>PB</b>	<b>70.35</b>
<b>Foot Actuated</b>	<b>68390W-CP</b>	<b>40.45</b>	<b>PB</b>	<b>70.35</b>

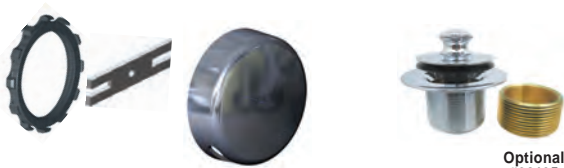
## 12-Thread (Coarse Thread)

Thread size: 1.75" O.D. - 12 tpi x 1.25" depth Flange: 2-7/8"

<b>Lift and Turn</b>	<b>58433-CP</b>	<b>32.25</b>	<i>Includes:</i>	
<b>PUSH PULL®</b>	<b>38433-CP</b>	<b>33.60</b>	1-Hole OF Plate,	
<b>Foot Actuated</b>	<b>68433-CP</b>	<b>32.25</b>	1 OF Plate Screw,	
12 tpi Body,				
Stopper Assembly,				
Adapter Bar				

AVAILABLE ONLY IN CHROME

### TRIM KITS TO CONVERT OLD OVERFLOW TO WATCO'S INNOVATOR® SNAP-ON OVERFLOW PLATE



10 Per Carton

SEE PAGES 50 OR 60 FOR INSTRUCTIONS.

Optional #38105 Bushing

### Convert 1- or 2-hole overflow plate to Innovator® snap-on overflow.

Thread size: 1.865" O.D. - 11.5 tpi x 1.25" depth Flange: 2-7/8"

<b>Lift and Turn</b>	<b>91100-LT-CP</b>	<b>32.70</b>	<i>Includes:</i>		
<b>PUSH PULL®</b>	<b>91100-PP-CP</b>	<b>32.70</b>	Retainer Star Nut,		
<b>PRESFLO®</b>	<b>91100-PF-CP</b>	<b>38.15</b>	Overflow Plate,		
<b>PF NOT in BO-BS-WH</b>			Adapter Bar,		
<b>Foot Actuated</b>	<b>91100-FA-CP</b>	<b>27.75</b>	11.5 tpi Body,		
<b>FA: in BB-BN-BZ-CB-CP-NP-PB-WI</b>					

AP 119.10	BO 61.30	CB 92.85	WH 56.75
BB 71.85	BS 61.30	NP 70.70	WI 55.30
BN 59.55	BZ 67.00	PB 57.10	

Above trim kits with 38105 Bushing, converts to 2.11" O.D. - 16 tpi

<b>Lift and Turn</b>	<b>91105-LT-CP</b>	<b>42.40</b>	<i>Fits Kohler 7150</i>	
<b>PUSH PULL®</b>	<b>91105-PP-CP</b>	<b>42.40</b>	<i>bath wastes.</i>	
<b>PRESFLO®</b>	<b>91105-PF-CP</b>	<b>47.85</b>		
<b>PF NOT in BO-BS-WH</b>				
<b>Foot Actuated</b>	<b>91105-FA-CP</b>	<b>37.45</b>		
<b>FA: in BB-BN-BZ-CB-CP-NP-PB-WI</b>				

AP 128.75	BO 71.90	CB 102.50	WH 66.45
BB 82.40	BS 71.90	NP 80.40	WI 64.95
BN 69.25	BZ 76.65	PB 66.10	



# Trim Kits

Patented and Patents Pending  
See watcomfg.com for details.

# 14- & 16-Thread Bodies - Fine Thread

NOTE: For carded trim kits, place "-C" at end of item number.

## Innovator® 16-Thread (Fine Thread)

For the Innovator® Plus  
940/941 Series only

WITH SNAP-ON  
OVERFLOW PLATE



10 Per Carton

Change trim finishes on Innovator® Plus bath wastes.

Thread size: 1.625" O.D. - 16 tpi x 1.25" depth Flange: 2-7/8"  
Trade designation 1-3/8" x 16 - Fine Thread

<b>Lift and Turn</b>	<b>958080-CP</b>	<b>28.85</b>	<i>Includes:</i>
<b>PUSH PULL®</b>	<b>938080-CP</b>	<b>28.90</b>	Innovator® OF Plate,
<b>PRESFLO®</b>	<b>938260-CP</b>	<b>31.75</b>	16 tpi Body,
<b>PF NOT in BO-BS-WH</b>			Stopper Assembly
<b>Foot Actuated</b>	<b>968080-CP</b>	<b>27.45</b>	
<b>FA: in BB-BN-BZ-CB-CP-NP-PB-WI</b>			

AP	115.25	BO	63.15	CB	72.05	WH	52.40
BB	70.90	BS	63.15	NP	81.90	WI	55.75
BN	53.05	BZ	53.05	PB	64.45		

## Convert 1- or 2-Hole to Snap-On Overflow

Thread size: 1.625" O.D. - 16 tpi x 1.25" depth Flange: 2-7/8"

<b>Lift and Turn</b>	<b>91600-LT-CP</b>	<b>31.50</b>	<i>Includes:</i>
<b>PUSH PULL®</b>	<b>91600-PP-CP</b>	<b>31.55</b>	Retainer Star Nut,
<b>PRESFLO®</b>	<b>91600-PF-CP</b>	<b>34.40</b>	Overflow Plate,
<b>PF NOT in AB-BO-BS-WH</b>			Adapter Bar,
<b>Foot Actuated</b>	<b>91600-FA-CP</b>	<b>30.10</b>	16 tpi Body,
<b>FA: BB-BN-BZ-CB-CP-NP-PB-WI</b>			
<i>Stopper Assembly</i>			

AP	114.20	BO	65.80	CB	74.70	WH	55.05
BB	73.80	BS	65.80	NP	84.55	WI	58.40
BN	55.70	BZ	55.70	PB	67.10		

10 Per Carton

Above trim kits with 38101 bushing converts to 1.865" O.D. - 11.5 tpi

<b>Lift and Turn</b>	<b>958190-CP</b>	<b>39.60</b>	<i>Includes:</i>
<b>PUSH PULL®</b>	<b>938190-CP</b>	<b>39.65</b>	Retainer Star Nut,
<b>Foot Actuated</b>	<b>938270-CP</b>	<b>42.50</b>	Overflow Plate,
<b>PF NOT in BO-BS-WH</b>			Adapter Bar,
<b>Foot Actuated</b>	<b>968190-CP</b>	<b>38.20</b>	16 tpi Body,
<b>FA: BB-BN-BZ-CB-CP-NP-PB-WI</b>			
<i>Stopper Assembly,</i>			
<b>38101 Bushing</b>			

AP	122.30	BO	73.90	CB	82.80	WH	63.15
BB	82.55	BS	73.90	NP	92.65	WI	66.50
BN	63.80	BZ	63.80	PB	75.20		

## 16-Thread (Fine Thread) 1-Hole OF

Change trim finishes on  
1-Hole bath wastes.

For 2-Hole Overflow plate,  
add "2H" to item number.  
(Example: 58080-CP-2H)



Thread size: 1.625" O.D. - 16 tpi x 1.25" depth Flange: 2-7/8"  
Trade designation 1-3/8" x 16 - Fine Thread

<b>Lift and Turn</b>	<b>58080-CP</b>	<b>31.00</b>	<i>Includes:</i>
<b>PUSH PULL®</b>	<b>38080-CP</b>	<b>30.90</b>	1-Hole OF Plate,
<b>PRESFLO®</b>	<b>38260-CP</b>	<b>33.80</b>	1 OF Plate Screw,
<b>PF NOT in BO-BS-WH</b>			16-tpi Body,
<b>Foot Actuated</b>	<b>68080-CP</b>	<b>26.95</b>	Stopper Assembly,
<b>FA: in BB-BN-BZ-CB-CP-NP-PB-WI</b>			
<i>Adapter Bar</i>			

AP	107.60	BO	79.35	CB	70.40	WH	55.70
BB	64.60	BS	79.35	NP	82.65	WI	50.50
BN	54.85	BZ	54.85	PB	49.75		

Above trim kits with 38101 bushing converts to 1.865" O.D. - 11.5 tpi

<b>Lift and Turn</b>	<b>58190-CP</b>	<b>39.10</b>	<i>Includes:</i>
<b>PUSH PULL®</b>	<b>38190-CP</b>	<b>39.00</b>	1-Hole OF Plate,
<b>PRESFLO®</b>	<b>38270-CP</b>	<b>41.90</b>	1 OF Plate Screw,
<b>PF NOT in BO-BS-WH</b>			16-tpi Body,
<b>Foot Actuated</b>	<b>68190-CP</b>	<b>35.05</b>	Stopper Assembly,
<b>FA: BB-BN-BZ-CB-CP-NP-PB-WI</b>			
<i>Adapter Bar,</i>			
<b>38101 Bushing</b>			

AP	115.70	BO	87.45	CB	78.50	WH	63.80
BB	73.40	BS	87.45	NP	90.75	WI	58.60
BN	62.95	BZ	62.95	PB	57.85		

## Bushing Body Trim Kit & #38112 Bushing

Thread size: 1.375" O.D. - 16 tpi x 1.5" depth with Flange: 2-7/8"  
38112 bushing, converts to 1.625" O.D. - 14 tpi



<b>Lift and Turn</b>	<b>51612-CP</b>	<b>60.80</b>
<b>PUSH PULL®</b>	<b>38212-CP</b>	<b>60.60</b>

BN	82.75	BZ	90.70	PB	83.45
BO	114.20	CB	77.90	WH	106.60

## 14-Thread (Fine Thread) - 1-Hole OF

10 Per Carton

Change trim finishes on 1-Hole bath wastes.

Thread size: 1.625" O.D. - 14 tpi x 1.25" depth Flange: 2-7/8"  
Trade designation 1-3/8" x 14

<b>Lift and Turn</b>	<b>58490-CP</b>	<b>32.80</b>	<i>Includes:</i>
<b>PUSH PULL®</b>	<b>38490-CP</b>	<b>32.70</b>	1-Hole OF Plate,
<b>Foot Actuated</b>	<b>68490-CP</b>	<b>28.75</b>	Screw, 14 tpi Body,
<b>FA: BB-BN-BZ-CB-CP-PB-WI no NP</b>			
<i>Stopper Assembly,</i>			
<i>Adapter Bar</i>			

BN	59.20	BZ	64.10	PB	51.80
BO	65.10	CB	72.40	WH	57.85

## 16-Thread: 1" body depth (Fine Thread)

Thread size: 1.625" O.D. - 16 tpi x 1" depth Flange: 2-7/8"

<b>PUSH PULL®</b>	<b>38090-CP</b>	<b>31.25</b>
-------------------	-----------------	--------------

OTHER FINISHES: AB 116.05 | BO 79.75 | PB 52.25 | WH 58.05

With 38104 bushing converts to 1.9" O.D. - 14 tpi

<b>PUSH PULL®</b>	<b>38194-CP</b>	<b>38.95</b>
-------------------	-----------------	--------------



Thread size: 1-11/16" O.D. - 16 tpi x 1" depth Flange: 2-7/8"  
Trade designation 1-11/16"

<b>PUSH PULL®</b>	<b>38420-CP</b>	<b>34.10</b>	<b>Chrome only.</b>
-------------------	-----------------	--------------	---------------------

# Trim Kits

*NOTE: for carded trim kits, Place "-C" at end of item number.*

# Trip-Lever Type Kits

## Dome Strainer Cover Kits

### Dome Strainer Cover and Bushing Trim Kit

**38101 Bushing converts to 11.5 tpi**



1-Hole Overflow Plate, Overflow Plate Screw, Adapter Bar, Dome Strainer Cover, Strainer Cover Plate Screw, #11490CP 16-tpi trip lever strainer body, and #38101 bushing

BN 47.95	BZ 47.95	PB 33.45
BO 52.10	CB 55.95	WH 36.45
BS 52.10	NP 46.50	WI 68.20

**38661-CP 23.95**

20 Per Carton

### Dome Strainer Cover and Screw



Covers existing trip-lever-type strainer body. One each of the Dome Strainer Cover and Strainer Cover Plate Screw.

BN 15.70	BZ 15.70	PB 6.55
BO 11.95	CB 29.55	WH 11.95
BS 11.95	NP 10.60	WI 18.85

**18660-CP 2.85**

20 Per Carton

### Dome Strainer Cover and Screw, Strainer Body, NO Bushing



Dome Strainer Cover, Strainer Cover Plate Screw, trip lever strainer body, NO bushing.

BN 21.00	BZ 21.95	PB 13.25
BO 19.50	CB 37.00	WH 19.35
BS 19.50	NP 18.05	WI 26.30

**Coarse-Thread 11.5 tpi 18662-CP 9.30**  
**Fine-Thread 16 tpi 18663-CP 9.05**

### Dome Strainer Cover and Screw, 16-tpi Body, and Bushing



Dome Strainer Cover, Strainer Cover Plate Screw, #11490CP 16-tpi trip lever strainer body, and the #38101 bushing.

BN 29.05	BZ 30.05	PB 21.30
BO 27.60	CB 45.05	WH 27.45
BS 27.60	NP 26.10	WI 34.35

**18661-CP 17.15**

10 Per Carton

## TRIM ONLY TRIP LEVER & SLIPLOCK®



For either plastic or brass bath wastes. One trip lever faceplate assembly, two overflow plate screws, one cotter pin, one strainer body dome cover and screw.

BN 50.65	BZ 50.65	PB 37.10
BO 46.90	CB 95.80	WH 47.05
BS 46.90	NP 43.80	WI 76.65

**38702-CP 14.40**

## LINKAGE ONLY (TRIP LEVER)

20 Per Carton

#10950 Trip Lever Quick Adjust® Clevis, #10952 TL Linkage Nut, #10953 Eye Bolt, #10954 5-1/4" Double-Loop Wire, #10930 Cotter Pin annealed, and appropriate Drop Cylinder.

**38660-BRS 16.45**  
**38660-ABS 9.95**  
**38660-PVC 9.95**

**38660-BRS**



## TRIP LEVER WITH LINKAGE & DROP

20 Per Carton

### Faceplate, Linkage, and Drop Cylinder

Fits up to 16" Trip Lever models.

Trip lever faceplate assembly (QUICK ADJUST® clevis), trip lever linkage parts, 5.25" double-loop wire, and drop cylinder. NO screws included.

**10770-PVC**



PLASTIC	LIST PRICE	BRASS	LIST PRICE
---------	------------	-------	------------

**10770-\*\_\_\_-CP 17.40 10770-BRS-CP 24.60**

BN 23.95	BZ 21.85	PB 35.80	BN 31.15	BZ 29.05	PB 43.00
BO 46.55	CB 61.80	WH 37.85	BO 53.75	CB 69.00	WH 45.05
BS 46.55	NP 37.65	WI 61.65	BS 53.75	NP 44.85	WI 68.85

\*Indicate if drop cylinder is ABS or PVC.

## TRIP LEVER WITH LINKAGE, WIRES & DROP

12 Per Carton

### Faceplate, Linkage, Drop Cylinder, Extra Double-Loop Wires

Fits up to 24" Trip Lever models.

Trip lever faceplate assembly (QUICK ADJUST® clevis), Trip Lever linkage parts, standard 5.25" double-loop wire plus four additional wires, and a drop cylinder. NO screws included.

**10771-PVC**



PLASTIC	LIST PRICE	BRASS	LIST PRICE
---------	------------	-------	------------

**10771-\*\_\_\_-CP 36.35 10771-BRS-CP 43.45**

BN 43.90	BZ 40.50	PB 57.65	BN 51.00	BZ 47.60	PB 64.75
BO 65.50	CB 80.75	WH 56.80	BO 72.60	CB 87.85	WH 63.90
BS 65.50	NP 56.60	WI 80.60	BS 72.60	NP 63.70	WI 87.70

\*Indicate if drop cylinder is ABS or PVC.



# Trim Kits


# Trip Lever • SLIP LOCK® • TURNSTYLE®

20 Per Carton

## TRIP LEVER ALL TRIM, LINKAGE & DROP

**Fits up to 16" Trip Lever models.**

Trip lever faceplate assembly (QUICK ADJUST® clevis), Trip Lever linkage parts, 5.25" double-loop wire, drop cylinder, overflow plate screws, and strainer cover plate and screw.



38770

PLASTIC			LIST PRICE	BRASS			LIST PRICE
<b>38770-*__-CP</b>			<b>22.10</b>	<b>38770-BRS-CP</b>			<b>22.10</b>

BN 42.00	BZ 46.55	PB 54.60	BN 42.00	BZ 46.55	PB 54.60
BO 64.55	CB 113.45	WH 63.00	BO 64.55	CB 113.45	WH 63.00
BS 64.55	NP 52.45	WI 94.15	BS 64.55	NP 52.45	WI 94.15

*\*Indicate if drop cylinder is ABS or PVC.*


---

## ALL TRIM, LINKAGE, DROP & EXTRA WIRES

**Fits up to 24" Trip Lever models.**

Trip lever faceplate assembly (QUICK ADJUST® clevis), Trip Lever linkage parts, 5.25" double-loop wire plus four additional wires, drop cylinder, overflow plate screws, and strainer cover plate and screw.

12 Per Carton



38771


PLASTIC			LIST PRICE	BRASS			LIST PRICE
<b>38771-*__-CP</b>			<b>48.35</b>	<b>38771-BRS-CP</b>			<b>48.35</b>

BN 60.15	BZ 65.00	PB 73.55	BN 60.15	BZ 65.00	PB 73.55
BO 83.50	CB 132.40	WH 81.95	BO 83.50	CB 132.40	WH 81.95
BS 83.50	NP 80.40	WI 104.70	BS 83.50	NP 80.40	WI 104.70

*\*Indicate if drop cylinder is ABS or PVC.*

20 Per Carton

## SLIP LOCK® TRIP LEVER



38170

38180

**Change trim finishes and linkage on SLIP LOCK® bath wastes.**

**NO DROP CYLINDER.**

Thread size: 1.625" O.D. - 16 tpi x 1.25" depth      Flange: 2-7/8"

**38170-CP      36.80**

Thread size: 1.865" O.D. - 11.5 tpi x 1.25" depth      Flange: 2-7/8"

**38180-CP      36.80**


OTHER	BN 55.75	BZ 53.45	NP 70.15	WH 73.10
FINISHES	BO 75.05	CB 122.15	PB 63.30	WI 102.70
AVAILABLE:	BS 75.05			

---

20 Per Carton

## 39100

**Same as above but NO STRAINER BODY.**



39100-CP      30.40

BN 49.30	BZ 47.00	PB 55.50
BO 54.70	CB 86.00	WH 65.45
BS 54.70	NP 62.35	WI 95.05

## TURNSTYLE® TRIM & LINKAGE



TURNSTYLE®  
Assembly  
only

20200-CP  
37.30

Chrome Only

20 Per Carton

**For models up to 16"**



39500-CP  
52.20

BN 93.15	NP 86.55
BO 98.45	PB 81.65
BS 98.45	WH 90.05
BZ 112.00	WI 132.95
CB 144.05	

12 Per Carton

**For models up to 24"**



39551-CP  
71.15

BN 112.10	NP 105.50
BO 117.40	PB 100.60
BS 117.40	WH 109.00
BZ 130.95	WI 151.90
CB 163.00	

# Tub Closures

*NOTE: For carded trim kits, place "-C" at end of item number.*

# Coarse-Thread Bodies

20 Per Carton



LT  
LIFT AND TURN



PP  
PUSH PULL®



PF  
PRESFLO®  
ADA



FA  
FOOT ACTUATED  
ADA

## 11.5 THREADS PER INCH (Coarse-Thread)

**1.865" O.D. - 11.5 tpi x 1.25" depth Flange: 2-7/8"**

11.5-Thread Strainer Body and Stopper Assembly  
Trade designation 1-1/2" x 11.5

Lift and Turn	58305-CP	23.40
PUSH PULL®	38305-CP	23.40
PRESFLO®	38360-CP	20.40
PF NOT in BO-BS-WH		
Foot Actuated	68305-CP	19.70
FA: in BB-BN-BZ-CB-CP-NP-PB-WI		

**Other Finishes:**

AP 84.35	BO 53.75	CB 65.45	WH 58.60
BB 36.85	BS 53.75	NP 57.40	WI 35.15
BN 32.20	BZ 39.55	PB 41.20	

**WITH 38105 BUSHING Converts to 2.11" - 16**

Lift and Turn	58329-CP	33.55
PUSH PULL®	38329-CP	33.90
PRESFLO®	38370-CP	36.10
PF NOT in BO-BS-WH		
Foot Actuated	68329-CP	33.55
FA: in BB-BN-BZ-CB-CP-NP-PB-WI		

**Other Finishes:**

AP 94.05	BO 63.45	CB 75.15	WH 68.30
BB 47.40	BS 63.45	NP 67.10	WI 45.65
BN 41.90	BZ 49.25	PB 51.30	

## 11.5 THREADS PER INCH (Cont.)

**1.865" O.D. - 11.5 tpi x 1.25" depth Flange: 2-7/8"**

ABS plastic knob and stopper; trade designation 1-1/2" x 11.5

PUSH PULL® Zinc Strainer Body	38651-CP	15.60
PUSH PULL® Brass Strainer Body	38921-CP	18.85

Available only in Chrome Plated

**1.865" O.D. - 11.5 tpi x 1.25" depth WIDE Flange: 3"**

Wide-Flange strainer body with stopper assembly

Lift and Turn	58306-CP	27.25	PB	49.00
PUSH PULL®	38306-CP	27.25	PB	49.00
Foot Actuated	68306-CP	23.90	PB	49.00

## 12 THREADS PER INCH (Coarse-Thread)

**1.750" O.D. - 12 tpi x 1.25" depth Flange: 2-7/8"**

Lift and Turn	58333-CP	23.45
PUSH PULL®	38333-CP	23.45
Foot Actuated	68333-CP	23.45

Available only in Chrome Plated

## PRESFLO® STOPPERS WITH "O" RINGS

Lift and Turn	58333-CP	23.45
PUSH PULL®	38333-CP	23.45
Foot Actuated	68333-CP	23.45

Available only in Chrome Plated

20 Per Carton

# Replacement Stoppers

## LIFT AND TURN - 3/8" PIN ONLY



Standard Length 38810-CP 12.90

**Other Finishes Available:**

AP 46.35	BO 32.70	CB 37.65	WH 31.50
BB 20.35	BS 32.70	NP 36.85	WI 18.40
BN 24.50	BZ 24.50	PB 23.40	

Brass knob and stopper

NuFit; short pin 38812-CP 15.50

BN 29.30 | BZ 29.30 | PB 33.30

## FOOT ACTUATED - 3/8" OR 5/16" PIN



3/8" Pin 38412-CP 8.85

**Other Finishes Available:**

BN 16.90	CB 37.35	PB 20.90
BZ 20.70	NP 20.90	WI 18.30

ABS Plastic

5/16" Pin 38410-CP 8.85

Replacement Seal 11519 2.05

## PUSH PULL® - WITH 3/8" & 5/16" PINS



Brass Knob/Stopper 38516-CP 15.40

**Other Finishes Available:**

AP 44.15	BO 35.40	CB 36.00	WH 37.10
BB 23.25	BS 35.40	NP 41.80	WI 21.10
BN 23.95	BZ 24.85	PB 24.15	

#38516-CP  
Brass knob and stopper

ABS Knob/Stopper 38530-CP 11.55

Available only in Chrome

## PUSH PULL® - WITH ONE PIN



3/8" Pin: Brass Knob/Stopper 38610-CP 12.85

5/16" Pin: Brass Knob/Stopper 38710-CP 12.85

1/4" Pin: Brass Knob/Stopper 38540-CP 14.50

**Other Finishes Available:**

AP 38.80	BO 32.65	CB 30.70	WH 26.15
BB 20.20	BS 32.65	NP 36.75	WI 18.35
BN 23.70	BZ 23.70	PB 42.20	

#38610-  
#38710-  
#38540-  
Brass knob and stopper

3/8" Pin: ABS Knob/Stopper 38520-CP 9.20

Universal NuFit® PP Replacement Stopper:

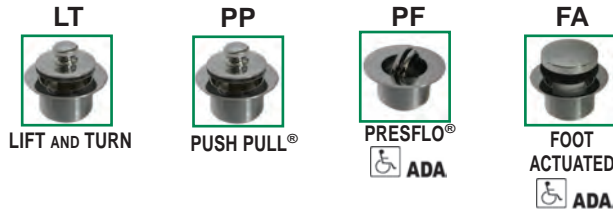
See pages 45 or 47



# Tub Closures

*NOTE: For carded trim kits, place "-C" at end of item number.*

# Fine-Thread Bodies



20 Per Carton

*Tub Closures with Adapter Bushings also available. (Page 58-59)*

Tub Closures: Fine-Thread Bodies - 14 & 16 tpi

## 14 THREADS PER INCH (Fine-Thread)

### 1.625" O.D. - 14 tpi x 1.25" depth Flange: 2-7/8"

Stopper assembly and 14-tpi Strainer Body  
Trade designation 1-3/8" x 14

<b>Lift and Turn</b>	<b>58309-CP</b>	<b>25.80</b>
<b>PUSH PULL®</b>	<b>38309-CP</b>	<b>25.80</b>
<b>Foot Actuated</b>	<b>68309-CP</b>	<b>25.80</b>
<b>FA: BN-BZ-CB-CP-PB</b>		

Other	BN 46.65	BZ 60.15	PB 41.55
Finishes:	BO 56.95	CB 53.25	WH 42.65

### 1.625" O.D. - 14 tpi x 1.25" depth WIDE Flange: 3.0"

Stopper Assembly and 14-tpi, Wide-Flange Strainer Body

<b>Lift and Turn</b>	<b>58308-CP</b>	<b>26.55</b>	<b>PB</b>	<b>48.20</b>
<b>PUSH PULL®</b>	<b>38308-CP</b>	<b>26.55</b>	<b>PB</b>	<b>48.20</b>
<b>Foot Actuated</b>	<b>68308-CP</b>	<b>26.55</b>	<b>PB</b>	<b>48.20</b>

## 16 THREADS PER INCH (Fine-Thread)

### 1.625" O.D. - 16 tpi x 1.0" depth Flange: 2-7/8"

**PUSH PULL®** Body Depth: 1"

Tub Closure without bushing	38325-CP	24.25
With 38101 bushing: to 1.865" O.D. x 11.5	38312-CP	32.30
With 38102 bushing: to 1.8" O.D. x 14	38313-CP	31.20

Other	BN 63.65	PB 45.70	WH 49.55
Finishes:	BO 63.65	PB 45.70	WH 49.55

### 1.625" O.D. - 16 tpi x 1.25" depth WIDE Flange: 3.0"

Stopper Assembly and 16-tpi, Wide-Flange Strainer Body

<b>Lift and Turn</b>	<b>58307-CP</b>	<b>26.30</b>	<b>PB</b>	<b>47.85</b>
<b>PUSH PULL®</b>	<b>38307-CP</b>	<b>26.25</b>	<b>PB</b>	<b>47.85</b>
<b>Foot Actuated</b>	<b>68307-CP</b>	<b>26.25</b>	<b>PB</b>	<b>47.85</b>

### 1.375" O.D. - 16 tpi x 1.50" depth Flange: 2-7/8"

Bushing Strainer Body and Stopper Assembly  
Trade designation 1-3/8" x 16 (See page 56 for adapter bushings.)

<b>Lift and Turn</b>	<b>58220-CP</b>	<b>26.65</b>
<b>PUSH PULL®</b>	<b>38220-CP</b>	<b>26.65</b>

Other	BN 44.45	BZ 51.90	PB 40.50
Finishes:	BO 58.65	CB 51.85	WH 60.45

## 16 THREADS PER INCH (Cont.)

### 1.625" O.D. - 16 tpi x 1.25" depth Flange: 2-7/8"

Stopper assembly and 16-tpi Strainer Body  
Trade designation 1-3/8" x 16

<b>Lift and Turn</b>	<b>58301-CP</b>	<b>24.15</b>
<b>PUSH PULL®</b>	<b>38301-CP</b>	<b>24.15</b>
<b>PRESFLO®</b>	<b>38380-CP</b>	<b>26.95</b>
<b>PF NOT in BO-BS-WH</b>		
<b>Foot Actuated</b>	<b>68301-CP</b>	<b>20.65</b>
<b>FA: BB-BN-BZ-CB-CP-NP-PB-WI</b>		

Other	AP 72.00	BO 54.85	CB 58.80	WH 59.30
Finishes:	BB 63.05	BS 54.85	NP 67.00	WI 35.95
	BN 37.90	BZ 42.50	PB 37.80	

### WITH 38101 BUSHING Converts to 1.865" - 11.5

<b>Lift and Turn</b>	<b>58319-CP</b>	<b>32.25</b>
<b>PUSH PULL®</b>	<b>38319-CP</b>	<b>32.25</b>
<b>PRESFLO®</b>	<b>38219-CP</b>	<b>35.05</b>
<b>PF NOT in BO-BS-WH</b>		
<b>Foot Actuated</b>	<b>68319-CP</b>	<b>28.75</b>
<b>FA: BB-BN-BZ-CB-CP-NP-PB-WI</b>		

Other	AP 80.10	BO 62.95	CB 66.90	WH 67.40
Finishes:	BB 71.15	BS 62.95	NP 75.10	WI 44.05
	BN 46.00	BZ 50.60	PB 45.90	

### WITH 38102 BUSHING Converts to 1.8" - 14

<b>Lift and Turn</b>	<b>58350-CP</b>	<b>31.10</b>
<b>PRESFLO®</b>	<b>38350-CP</b>	<b>33.85</b>
<b>PF NOT in BO-BS-WH</b>		

Other	AP 78.90	BO 61.80	CB 65.75	WH 66.25
Finishes:	BB 69.95	BS 61.80	NP 73.95	WI 42.90
	BN 44.85	BZ 49.45	PB 44.75	

### WITH 38103 BUSHING Converts to 1.802" - 16

<b>Lift and Turn</b>	<b>58321-CP</b>	<b>32.40</b>
<b>PUSH PULL®</b>	<b>38321-CP</b>	<b>32.40</b>
<b>PRESFLO®</b>	<b>38385-CP</b>	<b>35.20</b>
<b>PF NOT in BO-BS-WH</b>		

**Foot Actuated** 68321-CP 28.90

**FA: BB-BN-BZ-CB-CP-NP-PB-WI**

Other	AP 80.25	BO 63.10	CB 67.05	WH 67.55
Finishes:	BB 71.30	BS 63.10	NP 75.25	WI 44.20
	BN 46.15	BZ 50.75	PB 46.05	

### WITH 38104 BUSHING Converts to 1.9" - 14

<b>Lift and Turn</b>	<b>58317-CP</b>	<b>31.65</b>
<b>PUSH PULL®</b>	<b>38317-CP</b>	<b>31.65</b>
<b>PRESFLO®</b>	<b>38375-CP</b>	<b>34.45</b>
<b>PF NOT in BO-BS-WH</b>		

**Foot Actuated** 68317-CP 28.15

**FA: BB-BN-BZ-CB-CP-PB-WI**

Other	AP 79.50	BO 62.35	CB 66.30	WH 66.80
Finishes:	BB 70.55	BS 62.35	NP 74.50	WI 43.45
	BN 45.40	BZ 50.00	PB 45.30	

# Faceplate Kits

NOTE: For carded trim kits, place "-C" at end of item number.

## 1-Hole Faceplate Kits



Includes one #01002 faceplate and one #01024 faceplate screw.

• Faceplate Diameter - 3 3/8"

**18001-CP 7.80**

AP 34.60	BO 24.00	CB 18.50	WH 14.60
BB 15.20	BS 24.00	NP 15.15	WI 14.05
BN 11.85	BZ 11.80	PB 11.45	

10 Per Carton

### Same Kit but with Adapter Bar



Includes one #01002 faceplate, one #01024 faceplate screw, and one #11641 adapter bar.

• Faceplate Diameter - 3 3/8"

**18003-CP 9.20**

AP 36.00	BO 25.40	CB 19.95	WH 16.05
BB 16.75	BS 25.40	NP 16.60	WI 15.50
BN 13.25	BZ 13.20	PB 12.85	

10 Per Carton

## 2-Hole Faceplate Kits



Includes one #01003 faceplate and two #01024 faceplate screws.

• Faceplate Diameter - 3 3/8"

**18002-CP 9.25**

AP 42.35	BO 27.60	CB 26.25	WH 18.25
BB 18.60	BS 27.60	NP 18.25	WI 17.15
BN 14.40	BZ 14.20	PB 18.25	

10 Per Carton

## Innovator® Faceplate Kits



Converts 1-or 2-hole faceplate to the Innovator® faceplate. Includes faceplate, retainer star nut, and adapter bar.

• Faceplate Diameter - 3 1/8"

**18009-CP 8.55**

AP 47.75	BO 11.05	CB 25.05	WH 8.05
BB 33.05	BS 11.05	NP 19.10	WI 24.00
BN 19.85	BZ 18.85	PB 19.50	

10 Per Carton

See below for conversion instructions.

## Trip Lever Faceplate Kits



Includes one #10700 trip lever faceplate assembly, two #01024 faceplate screws, and one #10930 cotter pin.

• Faceplate Diameter - 3 3/8"

**18702-CP 13.00**

BB 27.05	BS 39.35	NP 34.50	WH 36.25
BN 21.20	BZ 17.55	PB 32.55	WI 58.95
BO 39.35	CB 58.15		

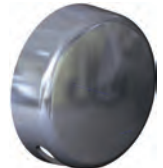
10 Per Carton

## Square innovator Faceplate kit:



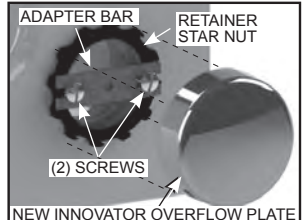
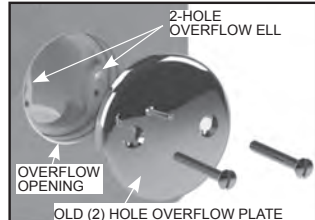
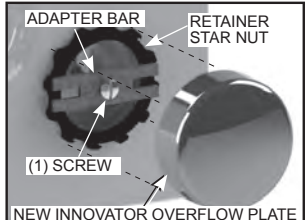
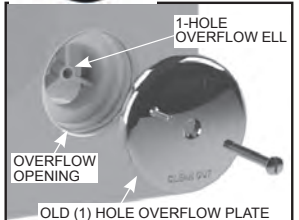
To Order: 18008-(finish)  
Example: 18008-WI = Square innovator Faceplate Kit in Wrought Iron Finish

Finish	CP	BN	BZ	WI (Matte Black)
List Price	18.35	36.15	46.75	49.90



## With Overflow Plate Kit #18009 (above), convert an existing 1-hole or 2-hole faceplate to the Innovator® snap-on faceplate.

### INSTRUCTIONS FOR CONVERTING AN EXISTING 1-HOLE OR 2-HOLE OVERFLOW PLATE TO A NEW WATCO SNAP-ON INNOVATOR® OVERFLOW PLATE



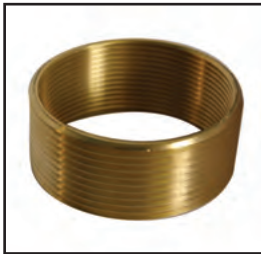
1. Remove old 1-hole Overflow Plate. Save old screw and re-use.
2. Thread screw all the way into the Adapter Bar.
3. Center and hold the Retainer Star Nut, with prongs pointing out, onto the overflow opening.
4. Thread the screw, with adapter bar, into the Overflow Ell screw hole.
5. Snug the Adapter Bar up to the Retainer Star Nut. **DO NOT OVER TIGHTEN.**
6. Snap on the new Innovator Overflow Plate with the overflow opening facing down.

1. Remove old 2-hole Overflow Plate. Save old screws and re-use.
2. Center and hold the Retainer Star Nut, with prongs pointing out, and Adapter Bar onto overflow opening in position shown.
3. Pass the 2 screws through the end slots of the Adapter Bar and thread into the Overflow Ell screw holes.
4. Snug the Adapter Bar up to the Retainer Star Nut. **DO NOT OVER TIGHTEN.**
5. Snap on the new Innovator Overflow Plate with the overflow opening facing down.

©2013 Watco Manufacturing Co. 1220 South Powell Road, Independence, MO 64057 816.796.3900 www.watcomfg.com



### BRASS ADAPTER BUSHINGS



**38100BUSH 389.40**  
Bushing Display Board  
with Bushings #38101 - #38116

PROD#	COLOR	CONVERTS: O.D. Body Threads to O.D. Bushing Threads	LIST
38101	Green	converts from 1.625" - 16 to 1.865" - 11.5	9.30
38102	Blue	converts from 1.625" - 16 to 1.8" - 14	8.85
38103	Red	converts from 1.625" - 16 to 1.802" - 16	10.25
38104	Orange	converts from 1.625" - 16 to 1.9" - 14	9.35
38105	Purple	converts from 1.865" - 11.5 to 2.11" - 16	11.75
38106	Pink	converts from 1.865" - 11.5 to 2.35" - 11.5	47.05
38107	Lt Blue	converts from 1.625" - 16 to 1.735" - 16	33.25
38108	Lt Green	converts from 1.625" - 16 to 1.865" - 16 (.5" Height)	29.40
38109	Brown	converts from 1.625" - 16 to 1.75" - 12	29.65
38110	Silver	converts from 1.625" - 16 to 1.865" - 14	28.25
38111*	White	converts from 1.375" - 16 to 1.625" - 16	38.10
38112*	Yellow	converts from 1.375" - 16 to 1.625" - 14	29.55
38113*	Black & White	converts from 1.375" - 16 to 1.813" - 14	29.60
38114*	Black	converts from 1.375" - 16 to 1.75" - 12	28.85
38115	Red & Blue	converts from 1.865" - 11.5 to 2.00" - 16	34.85
38116*	Orange & Purple	converts from 1.375" - 16 to 1.6615" - 18	29.60

\* Fits the 01033\_\_ bushing strainer body on page 31-37

11114



11577



11587



11594



11577

Test Cap and Test Plugs	Part #	List Price
Test Cap for Innovator® Schedule 40 series	11114	<b>4.65</b>
Green Test Plug with "O"-Ring-Type Washer	11577	<b>4.15</b>
3/8" Test Plug, metal threads	11587	<b>10.05</b>
Test Kit for 600 Series bath wastes, plastic	11565	<b>7.55</b>
Includes one #11577 and one #11594 test plug (listed individually below).		
1/4" Test Plug	11594	<b>3.05</b>
3/8" Test Plug	11577	<b>4.15</b>



**10121**

**New!! watco's improved Strainer Body Removal Tool**

Fits standard strainer bodies and the Innovator® Drain crossbars.

**48.05**



**11111-set**

**Color Sample Set**

**29.50**

### SCHEDULE 40 CONDENSATE ADAPTER



**SCH40CD-ABS 4.90**

**SCH40CD-PVC 4.90**

To include adapter with bath waste, add "-CD" to part number.  
Example: 900-FA-PVC-BN-CD

### STRAINER BODY MEASURING KIT



**11573**  
**6" DIAL CALIPER (4-Way Measure)**  
**149.35**



**11574**  
**thread-gauge Set**  
**71.75**

**11579**  
**Set of both the #11573 and #11574**  
**225.55**

# Spec Sheets

# Innovator® Testable Cable

Innovator CableFlex® • Innovator Cable®

## 970/980/990-CA

## 928/938/948-CA

(Same as 970/980/990 except Part #14 is flexible tubing.)

**928-CA (Tubs up to 16" deep):**

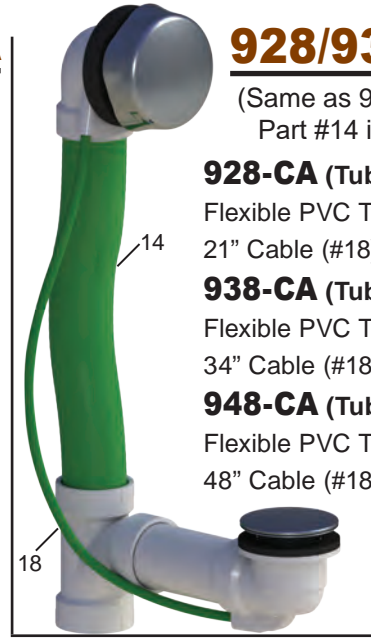
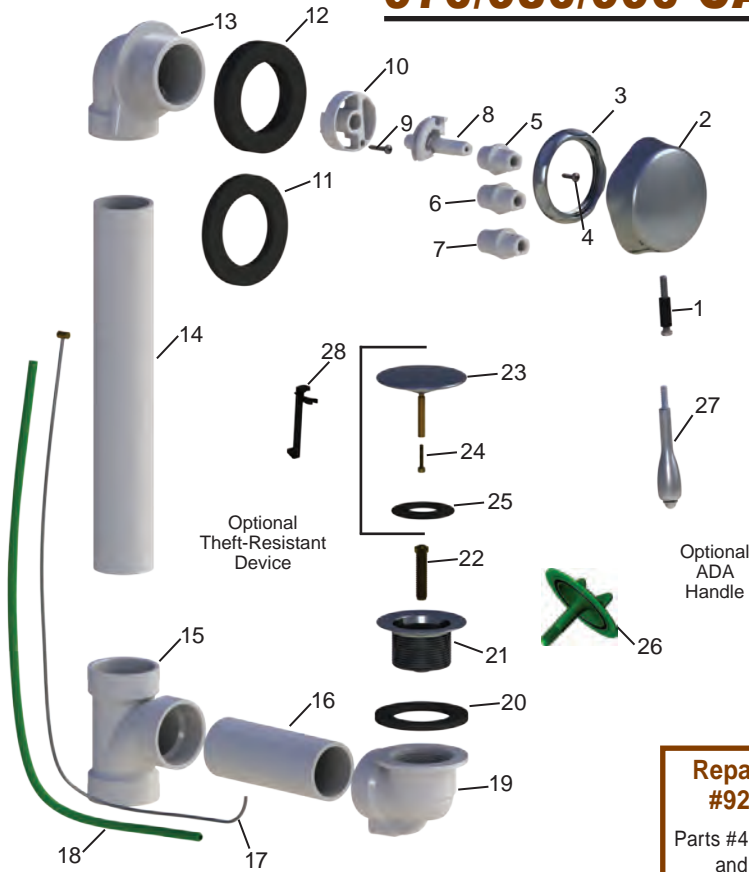
Flexible PVC Tubing: 1.5" x 11.75"  
21" Cable (#18)

**938-CA (Tubs up to 24" deep):**

Flexible PVC Tubing: 1.5" x 20.25"  
34" Cable (#18)

**948-CA (Tubs up to 36" deep):**

Flexible PVC Tubing: 1.5" x 32.0"  
48" Cable (#18)



**Innovator Cable® Half Kits:**  
**971/981/991-CA**  
Parts #1 thru #13 and #17 thru #27

**Repair Kit #92900**  
Parts #4 thru #10 and #17

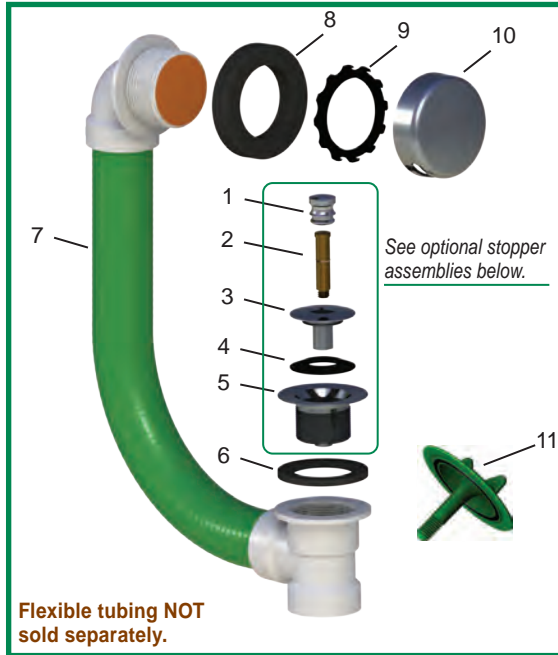
**Optional Features:**  
#27 92874-\_\_\*.ADA Handle  
#28 01076 .....Theft-Resistant Device

ITEM	PART#	DESCRIPTION	PRICE	ITEM	PART#	DESCRIPTION	PRICE
1	01032__*	Cable Faceplate Screw, 1/4-20x1-3/4 with Screw Guide #01081	5.15	15	14011	1-1/2" Schedule 40 Sanitary Tee, ABS.	7.15
2	01019__*	Cable Faceplate	15.00		14010	1-1/2" Schedule 40 Sanitary Tee, PVC.	7.05
3	01047__*	Cable Overflow Elbow Retainer Nut	7.25		970: SCHABS-4.625.Sch 40 Pipe, ABS, 1.5" x 4.625"		2.75
4	01037	Cable Adapter/Drive Shaft Screw, #8x5/8	2.00		970: SCHPVC-4.625 Sch 40 Pipe, PVC, 1.5" x 4.625"		1.30
5	01071	Cable Faceplate Adapter - Thin	4.80	16	980: SCHABS-11.75 Sch 40 Pipe, ABS, 1.5" x 11.75"		5.75
6	01072	Cable Faceplate Adapter - Medium	5.10		980: SCHPVC-11.75 Sch 40 Pipe, PVC, 1.5" x 11.75"		3.50
7	01073	Cable Faceplate Adapter - Thick	5.55		990: SCHABS-11.75 Sch 40 Pipe, ABS, 1.5" x 11.75"		5.75
8	20145	Cable Drive Shaft	3.75	17	20151-54	Cable Core.	19.15
9	01036	Cable Retainer/Overflow Ell Screw #8x7/8	2.05	18	20161	Cable Conduit.	2.75
10	20146	Cable Retainer	3.60		11016	1-1/2" Schedule 40 Cable Drain Elbow, ABS.	19.50
11	10694	Overflow Elbow Gasket Half Height	2.50	19	14016	1-1/2" Schedule 40 Cable Drain Elbow, PVC.	18.95
12	10675	Overflow Elbow Gasket	2.30	20	10696	Drain Elbow Gasket.	1.85
13	11029	1-1/2" Schedule 40 Cable OF Elbow, ABS	17.20	21	01016__*	Strainer Body, Brass, 1.865" - 11.5x1.25".	11.75
	14029	1-1/2" Schedule 40 Cable OF Elbow, PVC	16.75	22	20147	Cable Core Guide	4.40
		970: SCHABS-11.75 Sch 40 Pipe, ABS, 15" x 11.75"	5.75	23	92867-__*	Cable Stopper Assembly - includes:	24.35
		970: SCHPVC-11.75 Sch 40 Pipe, PVC, 15" x 11.75"	3.50	24	20069	Stopper Adjusting Screw	3.55
		980: SCHABS-20.25 Sch 40 Pipe, ABS, 15" x 20.25"	10.25	25	11526	Cable Stopper Seal, 1-1/16" .	3.05
14		980: SCHPVC-20.25 Sch 40 Pipe, PVC, 15" x 20.25"	6.05	26	11577	Test Plug with O-Ring-Type Gasket	4.15
		990: SCHABS-32 Sch 40 Pipe, ABS, 15" x 32.00"	15.20	OPTIONAL:			
		990: SCHPVC-32 Sch 40 Pipe, PVC, 15" x 32.00"	11.20	27	92874-__*	ADA Handle and Handle Set Screw.	17.05
				28	01076	Cable Theft-Resistant Device	3.80

\* CP Prices shown please indicate desired finish when ordering.



## WatcoFlex® PP Parts List (Flexible; Coarse Thread)



1	01010CP	Knob, Brass	4.00
2	11584	PP 3/8" Pin (11508) and Friction Ring (11504)	5.80
3	01013CP	Stopper, Brass	8.95
4	11507	Stopper Seal, 1-1/16" dia.	1.90
5	01016CP	Strainer Body, Brass, 1.865"-11.5 x 1.25"	11.75
6	10696	Drain ELL Gasket, 1.90" I.D., 2.75" O.D., gray	1.85
	11027	Direct Drain Tee, 11.5 tpi, Sch. 40 ABS	7.40
	11020	Innovator® Overflow Elbow, Sch. 40 ABS	5.05
7	OR		
	14027	Direct Drain Tee, 11.5 tpi, Sch. 40 PVC	9.40
	14020	Innovator® Overflow Elbow, Sch. 40 PVC	4.90
8	10675	Overflow Elbow Gasket, 2-1/4 I.D., 3-1/2 O.D., 5/8" Foam	2.30
9	11121	Retainer Star Nut	2.40
10	01004CP	Faceplate for Innovator®	6.35
11	11577	Test Plug with O-Ring-type Gasket	4.15

## Flex916/924 Innovator® PP Parts List (Flexible; Coarse Thread)



1	01010CP	Knob, Brass	4.00
2	11584	PP 3/8" Pin (11508) and Friction Ring (11504)	5.80
3	01013CP	Stopper, Brass	8.95
4	11507	Stopper Seal, 1-1/16" dia.	1.90
5	01016CP	Strainer Body, Brass, 1.865"-11.5 x 1.25"	11.75
6	10696	Drain ELL Gasket, 1.90" I.D., 2.75" O.D., gray	1.85
7	14008	Drain Elbow, 11.5 tpi, Schedule 40, PVC	4.40
8	SCHPVC-4.625		1.30
9	14010	Sanitary Tee, Schedule 40, PVC	7.05
		Flex916: Flexible Tubing, 1.5" x 16.0"	
10	(not sold separately)	Flex924: Flexible Tubing, 1.5" x 24.0"	
		#10 FACTORY-WELDED TO #11:	
11	14020	Innovator® Overflow Ell, Schedule 40, PVC	4.90
12	10675	Overflow Elbow Gasket, 2-1/4 I.D., 3-1/2 O.D., 5/8" Foam	2.30
13	11121	Retainer Star Nut	2.40
14	01005CP	Faceplate for Innovator®	6.35
15	11577	Test Plug with O-Ring-type Gasket	4.15

## OPTIONAL TUB CLOSURES FOR COARSE-THREAD BATH WASTES (FINE-THREAD ON PAGE 5)

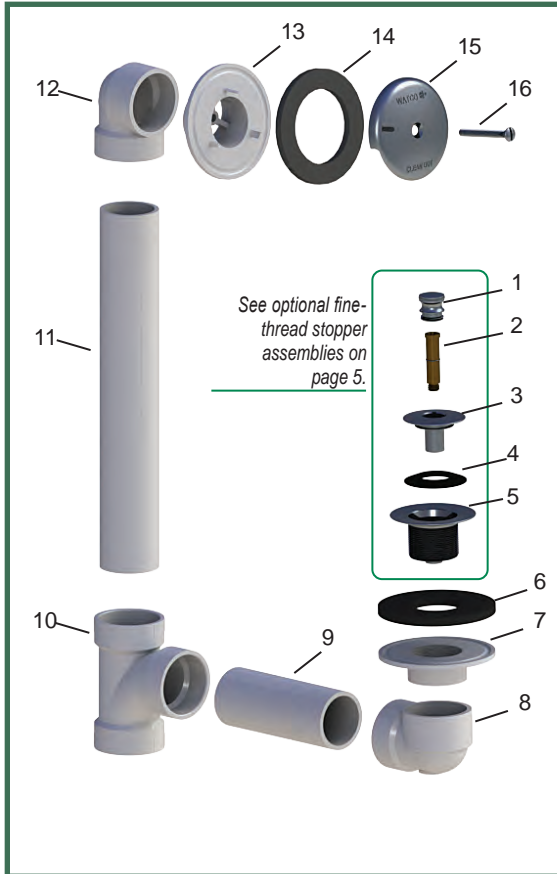
PUSH PULL® Coarse Thread	LIFT & TURN Coarse Thread	PRESFLO® Coarse Thread	FOOT ACTUATED Coarse Thread
<ol style="list-style-type: none"> <li>01010CP 01010__*</li> <li>11584</li> <li>01013CP 01013__*</li> <li>11507</li> <li>01016CP 01016__*</li> </ol>	<ol style="list-style-type: none"> <li>01010CP 01010__*</li> <li>11079</li> <li>11088</li> <li>11290CP 01013__*</li> <li>11507</li> <li>11492CP 01016__*</li> </ol>	<ol style="list-style-type: none"> <li>11145CP 11145__*</li> <li>11132</li> <li>11060CP 11060__*</li> <li>96039: Suction Cup for removing stopper</li> </ol>	<ol style="list-style-type: none"> <li>38412CP 38412__*</li> <li>11492CP 01016__*</li> </ol>

\* Please indicate desired finish when ordering.

# Spec Sheets

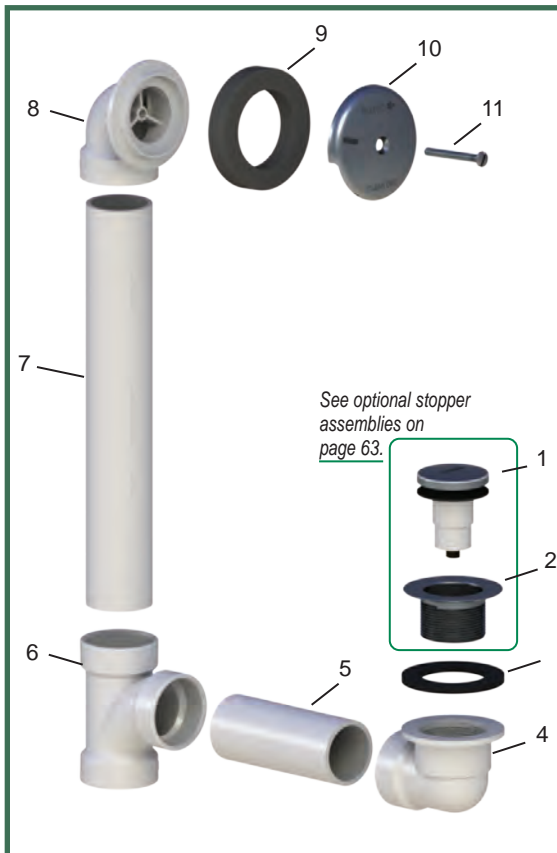
# Schedule 40

## 400-PP Parts List (Schedule 40; Fine Thread)



1	01010CP Knob, Brass	4.00
2	11584 PP 3/8" Pin (11508) and Friction Ring (11504)	5.80
3	01013CP Stopper, Brass	8.95
4	11507 Stopper Seal, 1-1/16" dia.	1.90
5	01022CP Strainer Body, Brass, 1.625" - 16 - 1.25"	12.65
6	10693 Drain Flange Gasket, Perfect Fit®	2.60
7	11022 Drain Flange, Perfect Fit®, ABS	7.55
	14022 Drain Flange, Perfect Fit®, PVC	9.80
8	11023 Drain/Overflow Elbow, Perfect Fit®, ABS	3.60
	14023 Drain/Overflow Elbow, Perfect Fit®, PVC	4.95
9	SCHABS-4.625 Pipe, Schedule 40 ABS, 1.5" x 4.625"	2.75
	SCHPVC-4.625 Pipe, Schedule 40 PVC, 1.5" x 4.625"	1.30
10	14011 Sanitary Tee, Schedule 40 ABS	7.15
	14010 Sanitary Tee, Schedule 40 PVC	7.05
11	SCHABS-11.75 Pipe, Schedule 40 ABS, 1.5" x 11.75"	5.75
	SCHPVC-11.75 Pipe, Schedule 40 PVC, 1.5" x 11.75"	3.50
12	11023 Drain/Overflow Elbow, Perfect Fit®, ABS	3.60
	14023 Drain/Overflow Elbow, Perfect Fit®, PVC	4.95
13	11021 Overflow Flange, Perfect Fit®, ABS	3.10
	14021 Overflow Flange, Perfect Fit®, PVC	6.65
14	10694 Overflow Flange Gasket, Perfect Fit®	2.50
15	01002CP 1-Hole Faceplate, Metal	5.30
16	01024CP Faceplate Screw, 2.25"	3.10

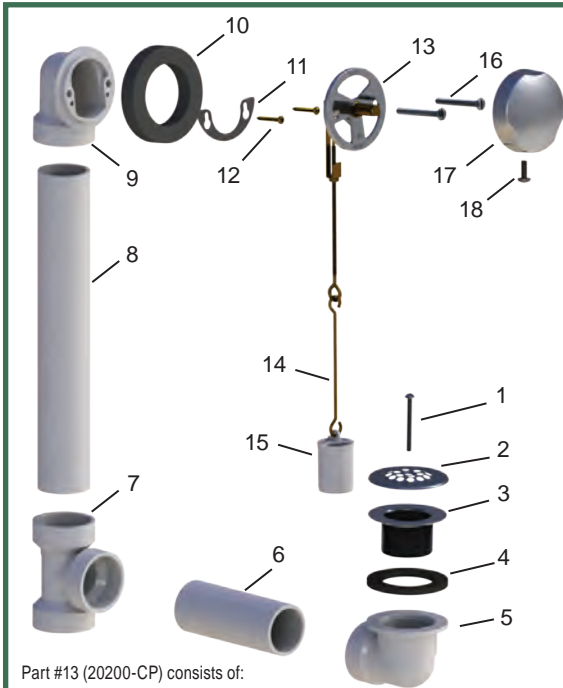
## 600-FA Parts List (Schedule 40; Coarse Thread)



1	38412CP Foot Actuated Stopper, 3/8" pin, ABS plastic	9.85
2	11492CP Strainer Body, Zinc, 1.865"-11.5 x 1.25"	8.30
	01016CP Strainer Body, Brass, 1.865"-11.5 x 1.25"	11.75
3	10696 Drain Ell Gasket, 1.90" I.D., 2.75" O.D., gray	1.85
	11008 Drain Ell, Schedule 40 ABS	4.30
4	14008 Drain Elbow, 11.5 tpi, Schedule 40, PVC	4.40
	SCHABS-4.625 Pipe, Schedule 40 ABS, 1.5" x 4.625"	2.75
	SCHPVC-4.625 Pipe, Schedule 40 PVC, 1.5" x 4.625"	1.30
5	14011 Sanitary Tee, Schedule 40 ABS	7.15
	14010 Sanitary Tee, Schedule 40 PVC	7.05
6	SCHABS-11.75 Pipe, Schedule 40 ABS, 1.5" x 11.75"	5.75
	SCHPVC-11.75 Pipe, Schedule 40 PVC, 1.5" x 11.75"	3.50
7	11009 1-Hole Overflow Ell, Schedule 40 ABS	4.40
	14009 1-Hole Overflow Ell, Schedule 40 PVC	4.30
8	10675 Overflow Elbow Gasket, 2-1/4 I.D., 3-1/2 O.D., 5/8" Foam	2.30
9	01002CP 1-Hole Faceplate, Brass	5.30
10	01024CP Faceplate Screw, 2.25"	3.10
11		



### 600-TS Parts List (Schedule 40; Coarse Thread)



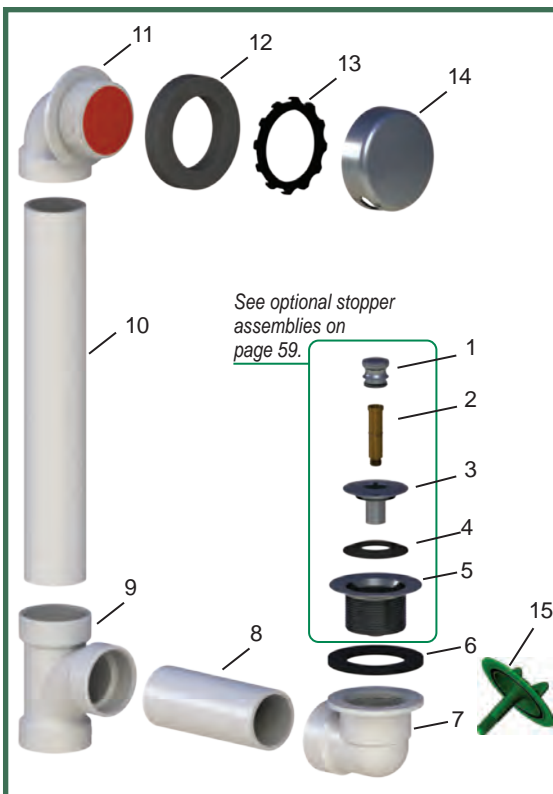
Part #13 (2020-CP) consists of:

- 10920 ..... TL Clevis for TS
- 10932 ..... TS Brass Hex Nut 6-32
- 10934 ..... TS SS Mach. Screw 6-32
- 10952 ..... TL Linkage Nut
- 10953 ..... Top Linkage Eye Bolt
- 20020CP ..... TS OF Mount w/Prongs
- 20041 ..... TS Turning Pin
- 20042 ..... TS Turning Pin Sleeve
- 20043 ..... Cable Stop

2020-CP  
See page 53.

1	01040CP Strainer Cover Plate Screw	2.50
2	01006CP Strainer Cover Plate	2.35
3	11495CP Strainer Body, Metal, 1.865" - 11.5 - 1.25"	8.30
4	10696 Drain Ell Gasket, 1.90" I.D., 2.75" O.D., gray	1.85
5	11008 Drain Ell, Schedule 40, ABS	4.30
	14008 Drain Elbow, 11.5 tpi, Schedule 40, PVC	4.40
6	SCHABS-4.625 Pipe, Schedule 40 ABS, 1.5" x 4.625"	2.75
	SCHPVC-4.625 Pipe, Schedule 40 PVC, 1.5" x 4.625"	1.30
7	11017 Tee with Seat, Schedule 40 ABS	4.95
	14017 Tee with Seat, Schedule 40 PVC	4.80
8	SCHABS-12 Pipe, Schedule 40 ABS, 1.5" x 12.0"	5.85
	SCHPVC-12 Pipe, Schedule 40 PVC, 1.5" x 12.0"	3.40
9	10096 2-Hole Overflow Ell, Schedule 40, ABS	5.80
	10098 2-Hole Overflow Ell, Schedule 40, PVC	6.25
10	10675 Overflow Elbow Gasket, 2-1/4 I.D., 3-1/2 O.D., 5/8" Foam	2.30
11	11531 Retainer Plate for Schedule 40	2.25
12	11540 Retainer Plate Screw	2.00
13	2020-CP TURNSTYLE® Assembly	37.30
14	10954 5.25" Double-Loop Wire	2.95
15	11005 Drop Cylinder, ABS	2.05
	14005 Drop Cylinder, PVC	2.00
16	01024CP Overflow Plate Screw, 2.25"	3.10
17	20030CP Cable Faceplate, Brass	20.90
18	20140 Cable Faceplate Locking Screw	3.70

### 900-PP Parts List (Schedule 40; Coarse Thread)



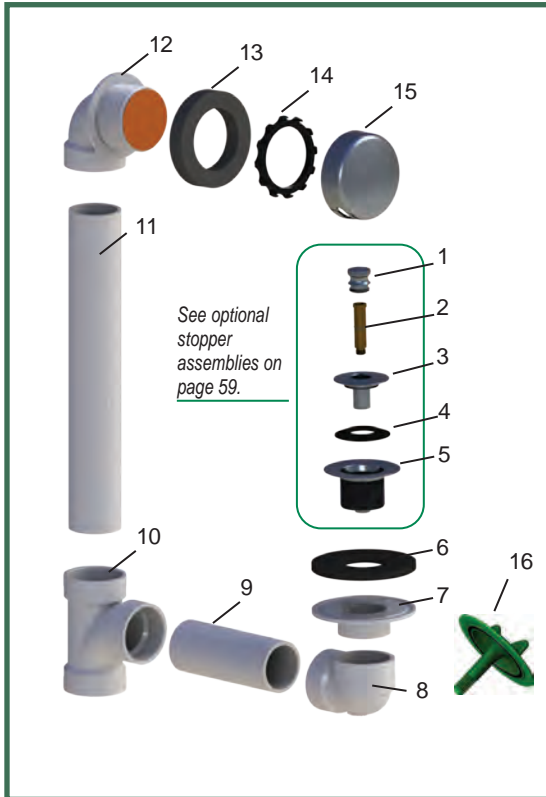
See optional stopper  
assemblies on  
page 59.

1	01010CP Knob, Brass	4.00
2	11584 PP 3/8" Pin (11508) and Friction Ring (11504)	#N/A!
3	01013CP Stopper, Brass	8.95
4	11507 Stopper Seal, 1-1/16" dia.	1.90
5	01016CP Strainer Body, Brass, 1.865"-11.5 x 1.25"	11.75
6	10696 Drain Ell Gasket, 1.90" I.D., 2.75" O.D., gray	1.85
7	11008 Drain Ell, Schedule 40 ABS	4.30
	14008 Drain Elbow, 11.5 tpi, Schedule 40, PVC	4.40
8	SCHABS-4.625 Pipe, Schedule 40 ABS, 1.5" x 4.625"	2.75
	SCHPVC-4.625 Pipe, Schedule 40 PVC, 1.5" x 4.625"	1.30
9	14011 Sanitary Tee, Schedule 40 ABS	7.15
	14010 Sanitary Tee, Schedule 40 PVC	7.05
10	SCHABS-11.75 Pipe, Schedule 40 ABS, 1.5" x 11.75"	5.75
	SCHPVC-11.75 Pipe, Schedule 40 PVC, 1.5" x 11.75"	3.50
11	11020 Innovator® Overflow Ell, Schedule 40 ABS	5.05
	14020 Innovator® Overflow Ell, Schedule 40 PVC	4.90
12	10675 Overflow Elbow Gasket, 2-1/4 I.D., 3-1/2 O.D., 5/8" Foam	2.30
13	11121 Retainer Star Nut	2.40
14	01005CP Faceplate for Innovator®	6.35
15	11577 Test Plug w/O-Ring-type Gasket	4.15

# Spec Sheets

# Schedule 40

## 940-PP Parts List (Schedule 40; Fine Thread)

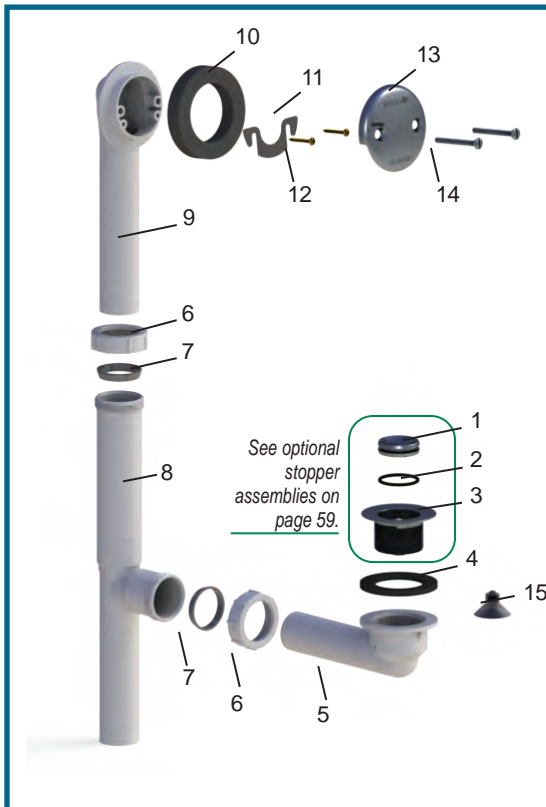


1	01010CP	Knob, Brass	4.00
2	11584	PP 3/8" Pin (11508) and Friction Ring (11504)	#N/A!
3	01013CP	Stopper, Brass	8.95
4	11507	Stopper Seal, 1-1/16" dia.	1.90
5	01022CP	Strainer Body, Brass, 1.625" - 16 - 1.25"	12.65
6	10693	Drain Flange Gasket, Perfect Fit®	2.60
7	11022	Drain Flange, Perfect Fit®, ABS	7.55
	14022	Drain Flange, Perfect Fit®, PVC	9.80
8	11023	Drain/Overflow Elbow, Perfect Fit®, ABS	3.60
	14023	Drain/Overflow Elbow, Perfect Fit®, PVC	4.95
9	SCHABS-4.625	Pipe, Schedule 40 ABS, 1.5" x 4.625"	2.75
	SCHPVC-4.625	Pipe, Schedule 40 PVC, 1.5" x 4.625"	1.30
10	14011	Sanitary Tee, Schedule 40 ABS	7.15
	14010	Sanitary Tee, Schedule 40 PVC	7.05
11	SCHABS-11.75	Pipe, Schedule 40 ABS, 1.5" x 11.75"	5.75
	SCHPVC-11.75	Pipe, Schedule 40 PVC, 1.5" x 11.75"	3.50
12	11020	Innovator® Overflow Ell, Schedule 40 ABS	5.05
	14020	Innovator® Overflow Ell, Schedule 40 PVC	4.90
13	10675	Overflow Elbow Gasket, 2-1/4 I.D., 3-1/2 O.D., 5/8" Foam	2.30
14	11121	Retainer Star Nut	2.40
15	01005CP	Faceplate for Innovator®	6.35
16	11577	Test Plug w/O-Ring-type Gasket	4.15

# Spec Sheets

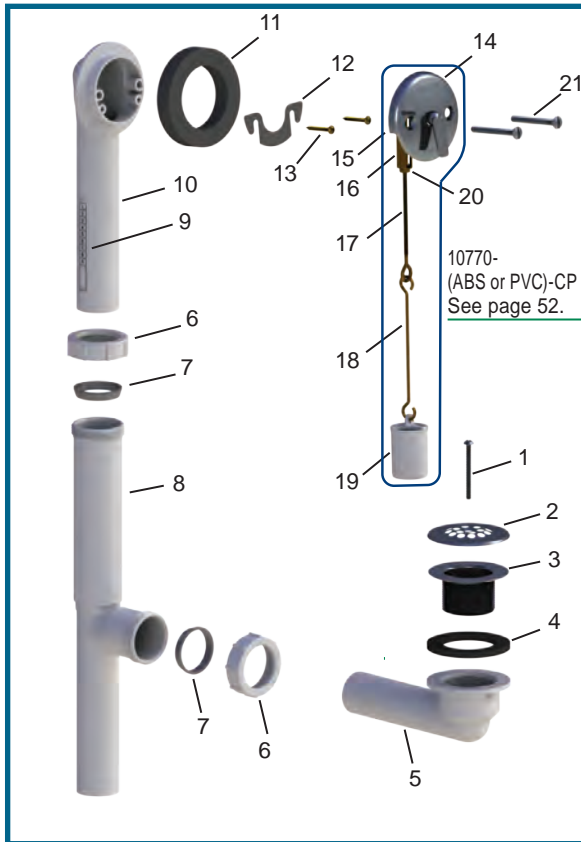
# Tubular Plastic

## 500-PF Parts List (Tubular Plastic; Coarse Thread)



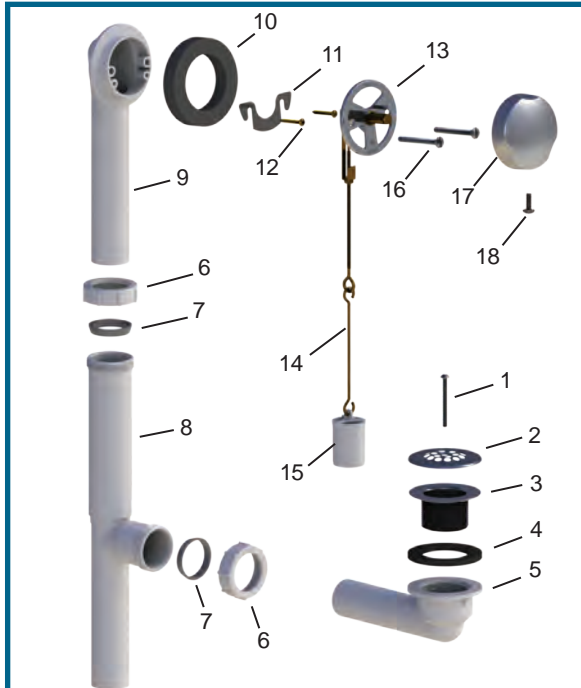
1	11145CP	PF Stopper, Plastic, CT	5.10
2	11132	O-Ring, PresFlo® Seal, CT	1.75
3	11060CP	Strainer Body, Brass, 1.865"-11.5 x 1.25"	17.35
4	10696	Drain Ell Gasket, 1.90" I.D., 2.75" O.D., gray	1.85
5	11028	Drain Ell, Coarse-Thread Tubular, ABS	6.05
	14028	Drain Ell, Coarse-Thread Tubular, PVC	5.50
6	11580	Slip Joint Nut, ABS	1.80
	11581	Slip Joint Nut, PVC	2.00
7	11583	Slip Joint Polywasher	1.60
8	11000	Tee, Tubular ABS	7.35
	14000	Tee, Tubular PVC	6.75
9	11003	Overflow Ell, Tubular ABS	7.00
	14003	Overflow Ell, Tubular PVC	5.90
10	10675	Overflow Elbow Gasket, 2-1/4 I.D., 3-1/2 O.D., 5/8" Foam	2.30
11	11530	Retainer Plate	2.25
12	11540	Retainer Plate Screw	2.00
13	01003CP	2-Hole Faceplate, Metal	5.30
14	01024CP	Faceplate Screw, 2.25"	3.10
15	96039	Suction Cup for removing stopper	2.25

## 500-TQ Parts List (Tubular Plastic; Coarse Thread)



1	01040CP	Strainer Cover Plate Screw	2.50
2	01006CP	Strainer Cover Plate	2.35
3	11495CP	Strainer Body, Zinc, 1.865" - 11.5 - 1.25"	8.30
4	10696	Drain Ell Gasket, 1.90" I.D., 2.75" O.D., gray	1.85
5	11028	Drain Ell, Coarse-Thread Tubular, ABS	6.05
	14028	Drain Ell, Coarse-Thread Tubular, PVC	5.50
6	11580	Slip Joint Nut, ABS	1.80
	11581	Slip Joint Nut, PVC	2.00
7	11583	Slip Joint Polywasher	1.60
8	11000	Tee, Tubular ABS	7.35
	14000	Tee, Tubular PVC	6.75
9	N/A	QUICK ADJUST® Label	
10	11003	Overflow Ell, Tubular ABS	7.00
	14003	Overflow Ell, Tubular PVC	5.90
11	10675	Overflow Elbow Gasket, 2-1/4 I.D., 3-1/2 O.D., 5/8" Foam	2.30
12	11530	Retainer Plate	2.25
13	11540	Retainer Plate Screw	2.00
14	10700CP	Trip Lever Faceplate Assembly	9.45
15	10930	Cotter Pin	1.65
16	10950	Trip Lever Quick Adjust® "Q" Clevis	4.75
17	10953	Top Linkage Eye BoLT	3.85
18	10954	5.25" Double-Loop Wire	2.95
19	11005	Drop Cylinder, ABS	2.05
	14005	Drop Cylinder, PVC	2.00
20	10952	Trip Lever Linkage Nut	1.75
21	01024CP	Screw, Overflow Plate, 2.25"	3.10

## 500-TS Parts List (Tubular Plastic; Coarse Thread)



1	01040CP	Strainer Plate Screw	2.50
2	01006CP	Strainer Cover Plate	2.35
3	11495CP	Strainer Body, Zinc, 1.865" - 11.5 - 1.25"	8.30
4	10696	Drain Ell Gasket, 1.90" I.D., 2.75" O.D., gray	1.85
5	11028	Drain Ell, Coarse-Thread Tubular, ABS	6.05
	14028	Drain Ell, Coarse-Thread Tubular, PVC	5.50
6	11580	Slip Joint Nut, ABS	1.80
	11581	Slip Joint Nut, PVC	2.00
7	11583	Slip Joint Polywasher	1.60
8	11000	Tee, Tubular, ABS	7.35
	14000	Tee, Tubular, PVC	6.75
9	11003	Overflow Ell, Tubular, ABS	7.00
	14003	Overflow Ell, Tubular, PVC	5.90
10	10675	Overflow Elbow Gasket, 2-1/4 I.D., 3-1/2 O.D., 5/8" Foam	2.30
11	11530	Retainer Plate	2.25
12	11540	Retainer Plate Screw	2.00
13	20200-CP	TURNSTYLE® Assembly	37.30
14	10954	5.25" Double-Loop Wire	2.95
15	11005	Drop Cylinder, ABS	2.05
	14005	Drop Cylinder, PVC	2.00
16	01024CP	Overflow Plate Screw, 2.25"	3.10
17	20030CP	Cable Faceplate, Brass	20.90
18	20140	Cable Faceplate Locking Screw	3.70

Part #13 (20200-CP) consists of:

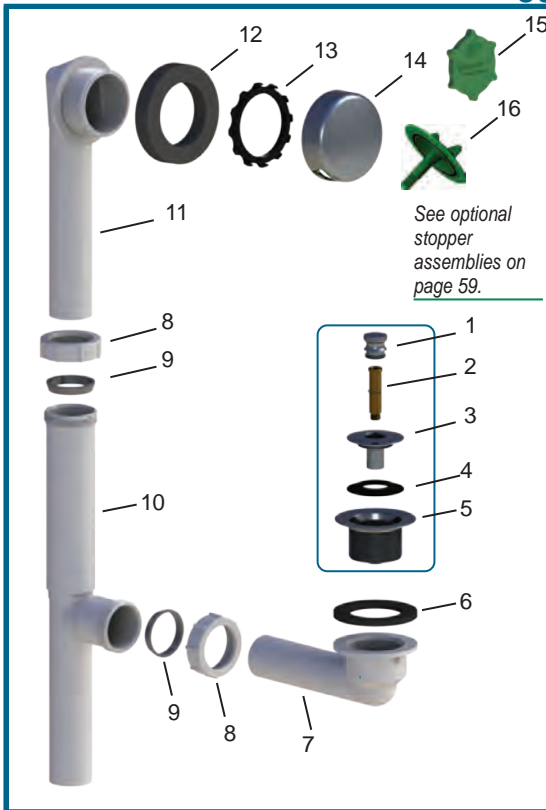
10920	..... TL Clevis for TS	20020CP	..... TS OF Mount w/Prongs
10932	..... TS Brass Hex Nut 6-32	20041	..... TS Turning Pin
10934	..... TS SS Mach. Screw 6-32	20042	..... TS Turning Pin Sleeve
10952	..... TL Linkage Nut	20043	..... Cable Stop
10953	..... Top Linkage Eye Bolt	20200-CP	.....

See page 53.

# Spec Sheets

# Tubular Plastic

## 590-PP Parts List (Tubular Plastic; Coarse Thread)

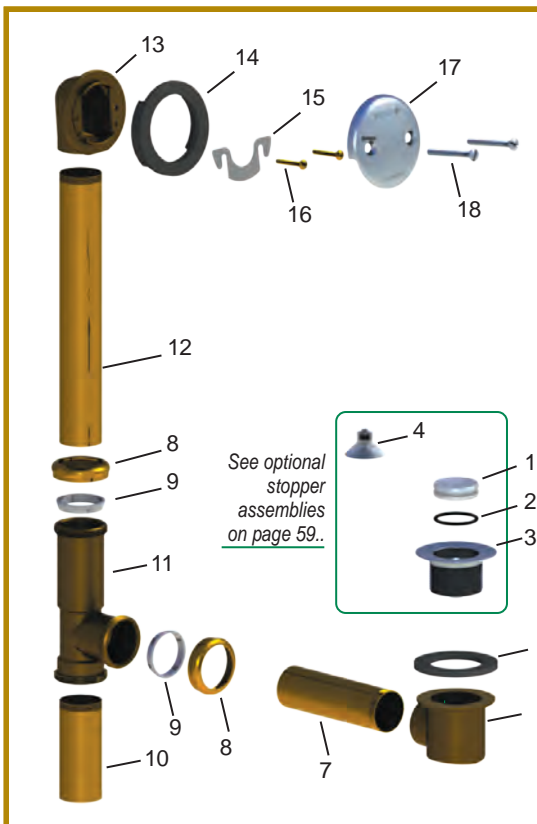


1	01010CP	Knob, Brass	4.00
2	11584	PP 3/8" Pin (11508) and Friction Ring (11504)	5.80
3	01013CP	Stopper, Brass	8.95
4	11507	Stopper Seal, 1-1/16" dia.	1.90
5	01016CP	Strainer Body, Brass, 1.865"-11.5 x 1.25"	11.75
6	10696	Drain Ell Gasket, 1.90" I.D., 2.75" O.D., gray	1.85
7	11028	Drain Ell, Coarse-Thread Tubular, ABS	6.05
	14028	Drain Ell, Coarse-Thread Tubular, PVC	5.50
8	11580	Slip Joint Nut, ABS	1.80
	11581	Slip Joint Nut, PVC	2.00
9	11583	Slip Joint Polywasher	1.60
10	11000	Tee, Tubular ABS	7.35
	14000	Tee, Tubular PVC	6.75
11	11019	Innovator® Overflow Ell, Tubular ABS	7.50
	14019	Innovator® Overflow Ell, Tubular PVC	8.30
12	10694	(2) Overflow Flange Gasket, Foam...ea.	2.50
13	11121	Retainer Star Nut	2.40
14	01005CP	Innovator® Faceplate	6.35
15	11114	Innovator® Test Cap	4.65
16	11577	Test Plug w/O-Ring-type Gasket	4.15

# Spec Sheets

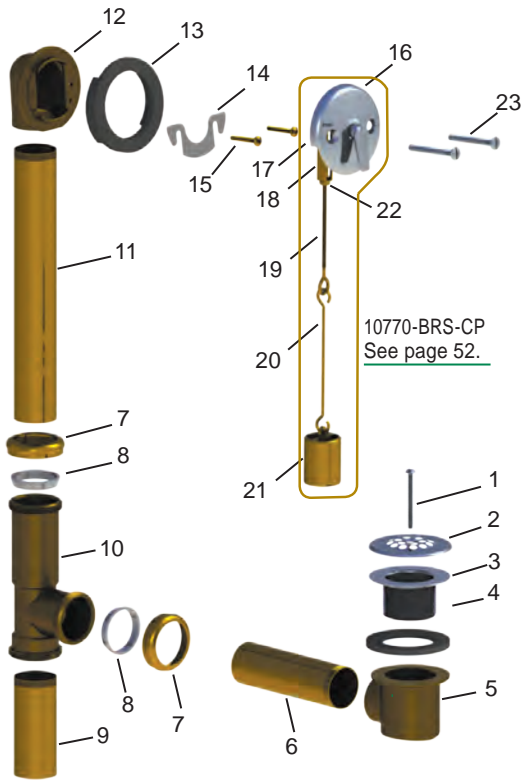
# Tubular Brass

## 501- & 502-PF Parts List (Brass; Coarse Thread)



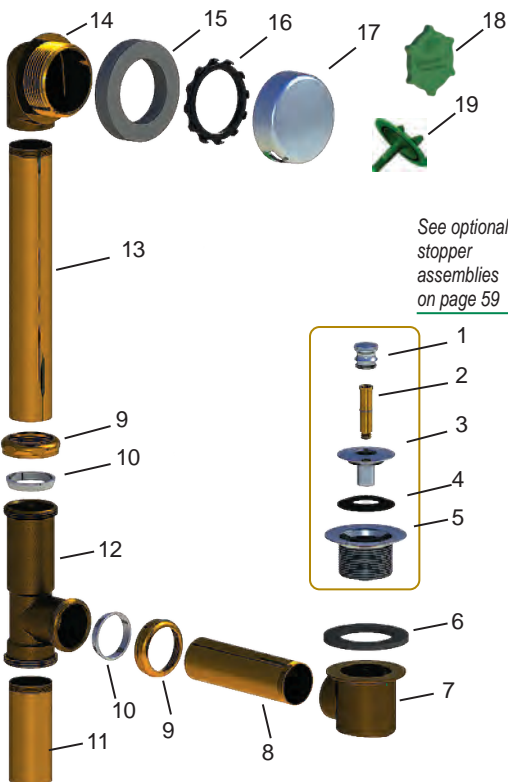
1	11145CP	PRESFLO® Stopper, Plastic, 1.5", for CT	5.10
2	11132	PRESFLO® Seal, for CT	1.75
3	11060CP	Strainer Body, Brass 1.865" - 11.5 - 1.25"	17.35
4	96039	Suction Cup for removing PRESFLO® stopper	2.25
5	10696	Drain Ell Gasket, 1.90" I.D., 2.75" O.D., gray	1.85
6	44006	Drain Ell, Brass, 1.865" - 11.5	23.20
7	17GA-4.75	Drain Ell Tube, Brass (17 Gauge), 4.75"	7.65
	20GA-4.75	Drain Ell Tube, Brass (20 Gauge), 4.75"	5.75
8	41580	Brass Slip Nut	4.85
9	11583	Slip Joint Polywasher	1.60
10	17GA-3.5	Tail Piece (17 Gauge), 3.5"	5.15
	20GA-3.5	Tail Piece (20 Gauge), 3.5"	4.10
11	44001	Brass Tee	35.50
12	17GA-9.625	Overflow Ell Tube (17 Gauge), 9.625"	17.65
	20GA-9.625	Overflow Ell Tube (20 Gauge), 9.625"	11.60
13	44003	Brass Overflow Ell	16.45
14	40675	Overflow Ell Washer for Brass	3.10
15	11530	Retainer Plate	2.25
16	41540	Brass Screw for Brass Retainer Plate	2.10
17	01003CP	2-Hole Faceplate, Metal	5.30
18	01024CP	Faceplate Screw	3.10

## 501- & 502-TQ & Trip Lever Parts List (Brass; Coarse Thread)



1	01040CP	Strainer Cover Plate Screw	2.50
2	01006CP	Strainer Cover Plate	2.35
3	11495CP	Strainer Body, Zinc, 1.625" - 11.5 - 1.25"	8.30
4	10696	Drain Ell Gasket, 1.90" I.D., 2.75" O.D., gray	1.85
5	44006	Brass Drain Ell, 1.865" - 11.5	23.20
6	17GA-4.75	Drain Ell Tube, Brass (17 Gauge), 4.75"	7.65
6	20GA-4.75	Drain Ell Tube, Brass (20 Gauge), 4.75"	5.75
7	41580	Brass Slip Nut	4.85
8	11583	Slip Joint Polywasher	1.60
9	17GA-3.5	Tail Piece (17 Gauge), 3.5"	5.15
9	20GA-3.5	Tail Piece (20 Gauge), 3.5"	4.10
10	44001	Brass Tee	35.50
11	17GA-9.625	Overflow Ell Tube (17 Gauge), 9.625"	17.65
11	20GA-9.625	Overflow Ell Tube (20 Gauge), 9.625"	11.60
12	44003	Overflow Ell, Brass	16.45
13	40675	Overflow Ell Washer for Brass	3.10
14	11530	Retainer Plate	2.25
15	41540	Brass Screw for Brass Retainer Plate	2.10
16	10700CP	TL Faceplate Assembly	9.45
17	10930	Cotter Pin (Not shown-behind FAce plate)	1.65
18	10950	Quick Adjust "Q" Clevis	4.75
19	10953	Top Linkage Eye BolT	3.85
20	10954	5.25" Double-Loop Wire	2.95
21	41005	Brass Drop Cylinder for Brass	9.65
22	10952	TL Linkage Nut	1.75
23	01024CP	Screw, Overflow Plate, 2.25"	3.10

## 591-PP Parts List (Brass; Coarse Thread)



1	01010CP	Knob, Brass	4.00
2	11584	PP 3/8" Pin (11508) and Friction Ring (11504)	#N/A!
3	01013CP	Stopper, Brass	8.95
4	11507	Stopper Seal, 1-1/16" dia.	1.90
5	01016CP	Strainer Body, Brass, 1.865"-11.5 x 1.25"	11.75
6	10696	Drain Ell Gasket, 1.90" I.D., 2.75" O.D., gray	1.85
7	44006	Drain Ell, Brass	23.20
8	17GA-4.75	Drain Ell Tube, Brass (17 Gauge), 4.75"	7.65
8	20GA-4.75	Drain Ell Tube, Brass (20 Gauge), 4.75"	5.75
9	41580	Brass Slip Nut	4.85
10	11583	Slip Joint Polywasher	1.60
11	17GA-3.5	Tail Piece (17 Gauge), 3.5"	5.15
11	20GA-3.5	Tail Piece (20 Gauge), 3.5"	4.10
12	44001	Brass Tee	35.50
13	17GA-9.625	Overflow Ell Tube (17 Gauge), 9.625"	17.65
13	20GA-9.625	Overflow Ell Tube (20 Gauge), 9.625"	11.60
14	44005	Overflow Ell, Brass for Innovator®	29.80
15	10675	Overflow Elbow Gasket, 2-1/4 I.D., 3-1/2 O.D., 5/8" Foam	2.30
16	11121	Retainer Star Nut	2.40
17	01005CP	Innovator® Faceplate	6.35
18	11114	Innovator® Overflow Ell Test Cap	4.65
19	11577	Test Plug with O-Ring-type Gasket	4.15

## Parts

## List Prices, Numerical

01001BN	Innovator® W-Overflow Plate - Brushed Nickel	54.55	01010WH	PUSH PULL® Knob - Brass - White	5.15	01024AP	Overflow Plate Screw-Brass-2.25"-Aged Pewter	8.60
01001BZ	Innovator® W-Overflow Plate - Brushed Chrome	54.55	01010WI	PUSH PULL® Knob - Brass - Wrought Iron	5.50	01024BB	Overflow Plate Screw-Brass-2.25"-Brushed Bronze	4.75
01001CB	Innovator® W-Overflow Plate - Oil Rubbed Bronze	Call	01013AB	PUSH PULL® Brass Stopper - Antique Brass	26.95	01024BN	Overflow Plate Screw-Brass-2.25"-Brushed Nickel	4.35
01001CP	Innovator® W-Overflow Plate - Chrome Plated	15.40	01013AP	PUSH PULL® Brass Stopper - Aged Pewter	22.00	01024BO	Overflow Plate Screw-Brass-2.25"-Bone	4.85
01001NP	Innovator® W-Overflow Plate - Nickel Polished	54.55	01013BB	PUSH PULL® Brass Stopper - Brushed Bronze	11.25	01024BS	Overflow Plate Screw-Brass-2.25"-Biscuit	4.85
01001PV	Innovator® W-Overflow Plate - Polished Brass	54.55	01013BN	PUSH PULL® Brass Stopper - Brushed Nickel	10.55	01024BZ	Overflow Plate Screw-Brass-2.25"-BZ	4.25
01001WI	Innovator® Overflow Plate - Wrought Iron	54.55	01013BO	PUSH PULL® Brass Stopper - Bone	17.10	01024CB	Overflow Plate Screw-Brass-2.25"-Chrome Brushed	8.60
01002AB	1-Hole Overflow Plate, Metal - Antique Brass	28.85	01013BS	PUSH PULL® Brass Stopper - Biscuit	17.10	01024CP	Overflow Plate Screw-Brass-2.25"-Chrome	3.10
01002AP	1-Hole Overflow Plate, Metal - Aged Pewter	23.40	01013BZ	PUSH PULL® Brass Stopper - Oil-Rubbed Bronze	11.70	01024NP	Overflow Plate Screw-Brass-2.25"-Nickel Polished	4.15
01002BB	1-Hole Overflow Plate, Metal - Brushed Bronze	9.05	01013CB	PUSH PULL® Brass Stopper - Chrome Brushed	10.55	01024PV	Overflow Plate Screw-Brass-2.25"-Polished Brass	4.15
01002BN	1-Hole Overflow Plate, Metal - Brushed Nickel	9.05	01013CP	PUSH PULL® Brass Stopper - Chrome	8.95	01024WH	Overflow Plate Screw-Brass-2.25"-White	4.85
01002BO	1-Hole Overflow Plate, Metal - Bone	17.55	01013NP	PUSH PULL® Brass Stopper - Polished Nickel	23.25	01024WI	Overflow Plate Screw-Brass-2.25"-Wrought Iron	4.35
01002BS	1-Hole Overflow Plate, Metal - Biscuit	17.55	01013PV	PUSH PULL® Brass Stopper - Polished Brass	11.35	01026	Thumb Screw - 1/4x20 x 1.5"	3.35
01002BZ	1-Hole Overflow Plate, Metal - Oil Rubbed Bronze	9.05	01013WH	PUSH PULL® Brass Stopper - White	10.35	01030BN	Overflow Plate Screw - 3-In - Brass - BN	13.25
01002CB	1-Hole Overflow Plate, Metal - Chrome Brushed	8.90	01013WI	PUSH PULL® Brass Stopper - Wrought Iron	10.35	01030BZ	Overflow Plate Screw - 3-In - Brass - BZ	13.25
01002CP	1-Hole Overflow Plate, Metal - Chrome Plated	5.30	01016AB	PP & LT Brass Strainer Body 1.865-11.5-1.25-AB	34.65	01030CP	Overflow Plate Screw - 3-In - Brass - CP	6.25
01002NP	1-Hole Overflow Plate, Metal - Nickel Polished, PVD	10.35	01016AP	PP & LT Brass Strainer Body 1.865-11.5-1.25-AP	29.85	01031BN	Overflow Plate Screw - 4-In - Brass - BN	13.70
01002PV	1-Hole Overflow Plate, Metal - Polished Brass, PVD	6.75	01016BB	PP & LT Brass Strainer Body 1.865-11.5-1.25-BB	16.60	01031BZ	Overflow Plate Screw - 4-In - Brass - BZ	13.70
01002WH	1-Hole Overflow Plate, Metal - White	9.10	01016BN	PP & LT Brass Strainer Body 1.865-11.5-1.25-BN	15.25	01031CP	Overflow Plate Screw - 4-In - Brass - CP	6.65
01002WI	1-Hole Overflow Plate, Metal - Wrought Iron	9.10	01016BO	PP & LT Brass Strainer Body 1.865-11.5-1.25-BO	20.50	01032AP	Cable Faceplate-to-Adapter Screw-1/4-20x1 3/4"-AP	11.80
01003AB	2-Hole Overflow Plate, Metal - Antique Brass	28.85	01016BS	PP & LT Brass Strainer Body 1.865-11.5-1.25-BS	20.50	01032BB	Cable Faceplate-to-Adapter Screw-1/4-20x1 3/4"-BB	13.25
01003AP	2-Hole Overflow Plate, Metal - Aged Pewter	23.40	01016BZ	PP & LT Brass Strainer Body 1.865-11.5-1.25-BZ	16.90	01032BN	Cable Faceplate-to-Adapter Screw-1/4-20x1 3/4"-BN	9.70
01003BB	2-Hole Overflow Plate, Metal - Brushed Bronze	9.85	01016CB	PP & LT Brass Strainer Body 1.865-11.5-1.25-CB	29.85	01032BS	Cable Faceplate-to-Adapter Screw-1/4-20x1 3/4"-BS	6.90
01003BN	2-Hole Overflow Plate, Metal - Brushed Nickel	9.05	01016CP	PP & LT Brass Strainer Body 1.865-11.5-1.25-CP	11.75	01032BZ	Cable Faceplate-to-Adapter Screw-1/4-20x1 3/4"-BZ	9.35
01003BO	2-Hole Overflow Plate, Metal - Bone	17.55	01016NP	PP & LT Brass Strainer Body 1.865-11.5-1.25-NP	17.15	01032CB	Cable Faceplate-to-Adapter Screw-1/4-20x1 3/4"-CB	10.55
01003BS	2-Hole Overflow Plate, Metal - Biscuit	17.55	01016PV	PP & LT Brass Strainer Body 1.865-11.5-1.25-PV	16.95	01032CP	Cable Faceplate-to-Adapter Screw-1/4-20x1 3/4"-CP	5.15
01003BZ	2-Hole Overflow Plate, Metal - Oil Rubbed Bronze	9.00	01016WH	PP & LT Brass Strainer Body 1.865-11.5-1.25-WH	14.70	01032NP	Cable Faceplate-to-Adapter Screw-1/4-20x1 3/4"-NP	10.10
01003CB	2-Hole Overflow Plate, Metal - Chrome Brushed	9.70	01016WI	PP & LT Brass Strainer Body 1.865-11.5-1.25-WI	14.70	01032PV	Cable Faceplate-to-Adapter Screw-1/4-20x1 3/4"-PB	8.65
01003CP	2-Hole Overflow Plate, Metal - Chrome Plated	5.30	01017AB	PP only: Econ. Strainer Body 1.625-16 - 1 - AB	35.90	01032WH	Cable Faceplate-to-Adapter Screw-1/4-20x1 3/4"-WH	6.90
01003NP	2-Hole Overflow Plate, Metal - Nickel Polished	10.55	01017BO	PP only: Econ. Strainer Body 1.625-16 - 1 - BO	21.80	01033AB	PP-LT Bushing Body 1.375-in.x16 - 1.5" - AB	38.95
01003PV	2-Hole Overflow Plate, Metal - Polished Brass	10.55	01017CP	PP only: Econ. Strainer Body 1.625-16 - 1 - CP	13.05	01033BN	PP-LT Bushing Body 1.375-in.x16 - 1.5" - BO	31.15
01003WH	2-Hole Overflow Plate, Metal - WH	9.10	01017PV	PP only: Econ. Strainer Body 1.625-16 - 1 - PB	17.05	01033BO	PP-LT Bushing Body 1.375-in.x16 - 1.5" - BN	18.90
01003WI	2-Hole Overflow Plate, Metal - Wrought Iron	9.10	01017WH	PP only: Econ. Strainer Body 1.625-16 - 1 - WH	21.80	01033BZ	PP-LT Bushing Body 1.375-in.x16 - 1.5" - BZ	38.95
01005AP	Innovator® Overflow Plate - Aged Pewter	35.25	01018AB	PP & LT Strainer Body 1.625-14 x 1.25 - AB	37.45	01033CB	PP-LT Bushing Body 1.375-in.x16 - 1.5" - CB	25.65
01005BB	Innovator® Overflow Plate - Brushed Bronze	26.50	01018BN	PP & LT Strainer Body 1.625-14 x 1.25 - BN	33.15	01033CP	PP-LT Bushing Body 1.375-in.x16 - 1.5" - CP	16.05
01005BN	Innovator® Overflow Plate - Brushed Nickel	17.75	01018BO	PP & LT Strainer Body 1.625-14 x 1.25 - BO	23.35	01033PV	PP-LT Bushing Body 1.375-in.x16 - 1.5" - PB	20.05
01005BO	Innovator® Overflow Plate - Bone	6.15	01018BZ	PP & LT Strainer Body 1.625-14 x 1.25 - BZ	37.45	01033WH	PP-LT Bushing Body 1.375"x16 - 1.5" - WH	24.85
01005BS	Innovator® Overflow Plate - Biscuit	6.15	01018CB	PP & LT Strainer Body 1.625-14 x 1.25 - CB	Call	01036	Cable Retainer-to Overflow Screw #8x7/8	2.05
01005BZ	Innovator® Overflow Plate - Oil Rubbed Bronze	16.65	01018CP	PP & LT Strainer Body 1.625-14 x 1.25 - CP	15.35	01037	Cable Adapter-to-Drive Shaft Screw #8X5/8	2.00
01005CB	Innovator® Overflow Plate - Chrome Brushed	19.30	01018PV	PP & LT Strainer Body 1.625-14 x 1.25 - PV	18.55	01040BN	Strainer Cover Plate Screw, 2 x 10/24 - BN	7.10
01005CP	Innovator® Overflow Plate - Chrome	6.35	01018WH	PP & LT Strainer Body 1.625-14 x 1.25 - WH	23.35	01040BO	Strainer Cover Plate Screw, 2 x 10/24 - Bone	4.30
01005NP	Innovator® Overflow Plate - Nickel Polished	13.90	01019AP	Innovator® Cable Overflow Plate - AP	44.85	01040BS	Strainer Cover Plate Screw, 2 x 10/24 - BS	4.30
01005WH	Innovator® Overflow Plate - White	4.00	01019BB	Innovator® Cable Overflow Plate - BB	30.30	01040BZ	Strainer Cover Plate Screw, 2 x 10/24 - BZ	7.65
01005WI	Innovator® Overflow Plate - Wrought Iron	18.35	01019BN	Innovator® Cable Overflow Plate - BN	27.80	01040CB	Strainer Cover Plate Screw, 2 x 10/24 - CB	8.00
01006BN	Dome Strainer Cover Plate - Brushed Nickel	9.15	01019BS	Innovator® Cable Overflow Plate - BS	9.20	01040CP	Strainer Cover Plate Screw, 2 x 10/24 - Chrome	2.50
01006BO	Dome Strainer Cover Plate - Bone	8.30	01019BZ	Innovator® Cable Overflow Plate - BZ	23.55	01040NP	Strainer Cover Plate Screw, 2 x 10/24 - NP	3.60
01006BS	Dome Strainer Cover Plate - Biscuit	8.30	01019CB	Innovator® Cable Overflow Plate - CB	25.65	01040PV	Strainer Cover Plate Screw, 2 x 10/24 - PB	3.60
01006BZ	Dome Strainer Cover Plate - Oil Rubbed Bronze	9.60	01019CP	Innovator® Cable Overflow Plate - CP	15.00	01040WH	Strainer Cover Plate Screw, 2 x 10/24 - WH	4.30
01006CB	Dome Strainer Cover Plate - Chrome Brushed	20.45	01019NP	Innovator® Cable Overflow Plate - NP	46.35	01040WI	Strainer Cover Plate Screw, 2 x 10/24 - WI	9.20
01006CP	Dome Strainer Cover Plate - Chrome Plated	2.35	01019PV	Innovator® Cable Overflow Plate - PV	46.35	01042AP	PRESFLO® NuFit® Strainer Body-Aged Pewter	38.15
01006NP	Dome Strainer Cover Plate - Nickel Polished	7.80	01019WH	Innovator® Cable Overflow Plate - WH	9.20	01042BN	PRESFLO® NuFit® Strainer Body-Brushed Nickel	19.30
01006PV	Dome Strainer Cover Plate - Polished Brass	3.40	01022AP	PP & LT Strainer Body 1.625"-16 x 1.25 - AP	30.80	01042BZ	PRESFLO® NuFit® Strainer Body-BZ	Call
01006WH	Dome Strainer Cover Plate - White	8.30	01022BB	PP & LT Strainer Body 1.625"-16 x 1.25 - BB	18.85	01042CB	PRESFLO® NuFit® Strainer Body-Chrome Brushed	38.15
01006WI	Dome Strainer Cover Plate - Wrought Iron	9.60	01022BN	PP & LT Strainer Body 1.625"-16 x 1.25 - BN	17.30	01042CP	PRESFLO® NuFit® Strainer Body-Chrome	15.80
01010AP	PUSH PULL® Knob - Brass - Aged Pewter	13.45	01022BO	PP & LT Strainer Body 1.625"-16 x 1.25 - BO	21.45	01042PV	PRESFLO® NuFit® Strainer Body-Polished Brass	Call
01010BB	PUSH PULL® Knob - Brass - Brushed Bronze	5.65	01022BS	PP & LT Strainer Body 1.625"-16 x 1.25 - BS	21.45	01042WI	PRESFLO® NuFit® Strainer Body-Wrought Iron	Call
01010BN	PUSH PULL® Knob - Brass - Brushed Nickel	5.20	01022BZ	PP & LT Strainer Body 1.625"-16 x 1.25 - BZ	16.65	01043CP	NuFit® PUSH PULL® Strainer Body-Chrome	13.25
01010BO	PUSH PULL® Knob - Brass - Bone	11.00	01022CB	PP & LT Strainer Body 1.625"-16 x 1.25 - CB	30.80	01044CP	NuFit® Lift and Turn Strainer Body-Chrome	13.20
01010BS	PUSH PULL® Knob - Brass - Biscuit	11.00	01022CP	PP & LT Strainer Body 1.625"-16 x 1.25 - CP	12.65	01046CP	NuFit® Lift and Turn Short Stopper - CP	8.15
01010BZ	PUSH PULL® Knob - Brass - Oil Rubbed Bronze	5.50	01022NP	PP & LT Strainer Body 1.625"-16 x 1.25 - NP	28.65	01047AP	Cable OE Retainer Nut - Aged Pewter	28.30
01010CB	PUSH PULL® Knob - Brass - Chrome Brushed	5.15	01022PV	PP & LT Strainer Body 1.625"-16 x 1.25 - PV	16.65	01047BB	Cable OE Retainer Nut - Brushed Bronze	15.55
01010CP	PUSH PULL® Knob - Brass - Chrome Plated	4.00	01022WH	PP & LT Strainer Body 1.625"-16 x 1.25 - WH	21.45	01047BN	Cable OE Retainer Nut - Brushed Nickel	15.85
01010NP	PUSH PULL® Knob - Brass - Nickel Polished	8.60	01022WI	PP & LT Strainer Body 1.625"-16 x 1.25 - WI	17.30	01047BS	Cable OE Retainer Nut - Biscuit	16.05
01010PV	PUSH PULL® Knob - Brass - Polished Brass	5.20	01024AB	Overflow Plate Screw-Brass-2.25"-Antique Brass	9.45	01047BZ	Cable OE Retainer Nut - BZ	15.40

# Parts

# List Prices, Numerical (Cont.)

01047CB	Cable OE Retainer Nut - CB	28.30	10700BS	TRIP LEVER Overflow Plate Assembly - Biscuit	31.55	11060AP	PRESFLO® Strainer Body 1.5" - 11.5 - AP	40.25
01047CP	Cable OE Retainer Nut - CP	7.25	10700BZ	TRIP LEVER Overflow Plate Assembly - BZ	12.30	11060BB	PRESFLO® Strainer Body 1.5" - 11.5 - BB	24.10
01047NP	Cable OE Retainer Nut - NP	24.45	10700CB	TRIP LEVER Overflow Plate Assembly - CB	51.90	11060BN	PRESFLO® Strainer Body 1.5" - 11.5 - BN	22.75
01047PV	Cable OE Retainer Nut - PB	28.80	10700NP	TRIP LEVER Overflow Plate Assembly - NP	33.85	11060BZ	PRESFLO® Strainer Body 1.5" - 11.5 - BZ	21.30
01047WH	Cable OE Retainer Nut - WH	5.65	10700PV	TRIP LEVER Overflow Plate Assembly - PB	31.90	11060CB	PRESFLO® Strainer Body 1.5" - 11.5 - CB	40.25
01050AP	QuickTrim® Strainer Body Cover for CT - AP	28.55	10700WH	TRIP LEVER Overflow Plate Assembly - White	31.20	11060CP	PRESFLO® Strainer Body 1.5" x 11.5 - Chrome	17.35
01050BB	QuickTrim® Strainer Body Cover for CT - BB	37.60	10700WI	TRIP LEVER Overflow Plate Assembly - WI	32.35	11060NP	PRESFLO® Strainer Body 1.5" - 11.5 - NP	26.15
01050BN	QuickTrim® Strainer Body Cover for CT - BN	11.20	10910	Brass Drop Cylinder for plastic	60.35	11060PV	PRESFLO® Strainer Body 1.5" - 11.5 - PV	37.65
01050BS	QuickTrim® Strainer Body Cover for CT - BS	16.25	10920	Trip Lever Clevis for TURNSTYLE®	10.55	11060WI	PRESFLO® Strainer Body 1.5" - 11.5 - WI	20.40
01050BZ	QuickTrim® Strainer Body Cover for CT - BZ	10.95	10930	TRIP LEVER Cotter Pin	1.65	11070AP	PRESFLO® Strainer Body 1.625"-16 - AP	41.40
01050CB	QuickTrim® Strainer Body Cover for CT - CB	15.55	10950	Trip Lever QUICK ADJUST® Clevis	4.75	11070BB	PRESFLO® Strainer Body 1.625"-16 - BB	22.10
01050HP	QuickTrim® Strainer Body Cover for CT - HP	7.75	10952	TRIP LEVER Linkage Nut	1.75	11070BN	PRESFLO® Strainer Body 1.625"-16 - BN	33.60
01050NP	QuickTrim® Strainer Body Cover for CT - NP	37.60	10953	TRIP LEVER Top-Linkage Eye BoLT	3.85	11070BZ	PRESFLO® Strainer Body 1.625"-16 - BZ	41.40
01050PV	QuickTrim® Strainer Body Cover for CT - PB	42.60	10954	5.25" Double-Loop Wire	2.95	11070CB	PRESFLO® Strainer Body 1.625"-16 - CB	41.40
01050WH	QuickTrim® Strainer Body Cover for CT - WH	16.25	10960	SLIP LOCK® Clevis with Release Button	13.40	11070CP	PRESFLO® Strainer Body - 1.625"-16 - Chrome	18.50
01050WI	QuickTrim® Strainer Body Cover for CT - WI	Call	10963	SLIP LOCK® Single-Loop Wire	2.95	11070NP	PRESFLO® Strainer Body 1.625"-16 - NP	27.25
01052BB	Universal NuFit® Grid Body - Brushed Bronze	9.30	11000	Tubular Tee, ABS	7.35	11070PV	PRESFLO® Strainer Body 1.625"-16 - PV	27.25
01052BN	Universal NuFit® Grid Body - Brushed Nickel	8.55	11001	Removable Tailpiece, Tee ABS	9.05	11070WI	PRESFLO® Strainer Body 1.625"-16 - Wrought Iron	Call
01052BS	Universal NuFit® Grid Body - Biscuit	Call	11003	Tubular Overflow Ell, ABS	7.00	11078	LIFT & TURN NuFit® D- Pin	3.75
01052BZ	Universal NuFit® Grid Body - Oil Rubbed Bronze	12.80	11004	Tubular Overflow Ell Condensate Drain ABS	8.95	11079	D Post, LIFT & TURN only	4.05
01052CB	Universal NuFit® Grid Body - Chrome Brushed	28.35	11005	Drop Cylinder - ABS Plastic	2.05	11088	D Ring, LIFT & TURN only	1.85
01052HP	Universal NuFit® Grid Body - High Polish	10.25	11006	Tubular Drop Cylinder w/ O-Ring ABS	2.35	11095	Drop Cylinder "O" Ring # -215	1.70
01052NP	Universal NuFit® Grid Body - Polished Nickel	Call	11007	Innovator® Drain Elbow - Long - Sch40 White ABS	12.90	11111-SET	Keychain Color Sample Set	29.50
01052WH	Universal NuFit® Grid Body - White	19.00	11008	Drain Ell - Schedule 40 ABS	4.30	11114	Innovator® Overflow Ell Test Cap	4.65
01071	Cable Faceplate Adapter - Thin	4.80	11009	Overflow Ell - Sch 40 ABS	4.40	11121	ABS Retainer Star Nut for Innovator®	2.40
01072	Cable Faceplate Adapter - Medium	5.10	11016	Cable Drain Elbow ABS	19.50	11131	PRESFLO® O-Ring Seal for 1.625"-16 Stopper	1.70
01073	Cable Faceplate Adapter - Thick	5.55	11017	Tee with Seat, Sch 40 ABS	4.95	11132	PRESFLO® O-Ring Seal for 1.865"-11.5 Stopper	1.75
01076	Cable Anti-Theft Device	3.80	11018	Drop Cylinder, SL & TS ABS	3.00	11134	Cable O-Ring: AS 568A-204	2.90
01077AP	Cable OE Retainer Cover - Aged Pewter	#N/A!	11019	Tubular Innovator® Overflow Elbow, ABS	7.50	11136	QuickTrim® O-Ring Seal, thin	1.70
01077BB	Cable OE Retainer Cover - Brushed Bronze	#N/A!	11020	Innovator® Overflow Ell - Schedule 40 ABS	5.05	11138	QuickTrim® O-Ring Seal, thick	1.70
01077BN	Cable OE Retainer Cover - Brushed Nickel	#N/A!	11021	Perfect Fit® Overflow Flange - Schedule 40 ABS	3.10	11140CP	PRESFLO® Metal Stopper 1.865"-11.5 - CP	13.30
01077BS	Cable OE Retainer Cover - Biscuit	Call	11022	Perfect Fit® Drain Flange, 1.5" - Schedule 40 ABS	7.55	11140PV	PRESFLO® Metal Stopper 1.865"-11.5 - PV	25.95
01077BZ	Cable OE Retainer Cover - Oil Rubbed Bronze	Call	11023	Elbow (OE & DE) Perfect Fit® - Schedule 40 ABS	3.60	11145AP	PRESFLO® Plastic Stopper 1.865"-11.5 - AP	19.15
01077CB	Cable OE Retainer Cover - Brushed Chrome	Call	11027	Direct Drain Tee, Coarse Thread, Schedule 40 ABS	7.40	11145BB	PRESFLO® Plastic Stopper 1.865"-11.5 - BB	12.65
01077CP	Cable OE Retainer Cover - Chrome Plated	#N/A!	11028	Drain Ell, Coarse-Thread Tubular, ABS	6.05	11145BN	PRESFLO® Plastic Stopper 1.865"-11.5 - BN	11.60
01077NP	Cable OE Retainer Cover - Polished Nickel	Call	11029	Cable Overflow Elbow, Schedule 40 ABS, 1-1/2"	17.20	11145BZ	PRESFLO® Plastic Stopper 1.865"-11.5 - BZ	21.95
01077PV	Cable OE Retainer Cover - Polished Brass	#N/A!	11030CP	PRESFLO® Strainer Body 1.6-14 x 1.25 - Chrome	15.25	11145CB	PRESFLO® Plastic Stopper 1.865"-11.5 - CB	21.95
01077WH	Cable OE Retainer Cover - White	#N/A!	11030PV	PRESFLO® Strainer Body 1.6-14 x 1.25 - PB	19.25	11145CP	PRESFLO® Plastic Stopper 1.865"-11.5 - CP	5.10
01078	WatcoLoc Insert	4.50	11040AP	PRESFLO® Lav Strainer Body w/OF - AP	33.50	11145NP	PRESFLO® Plastic Stopper 1.865"-11.5 - NP	13.90
01079	Cable O-Ring Viton	1.75	11040BB	PRESFLO® Lav Strainer Body w/OF - BB	45.50	11145PV	PRESFLO® Plastic Stopper 1.865"-11.5 - PV	9.20
01080	Cable O-Ring EPDM	1.65	11040BN	PRESFLO® Lav Strainer Body w/OF - BN	33.50	11145WI	PRESFLO® Plastic Stopper 1.865"-11.5 - WI	12.65
01081	Cable Faceplate Screw Guide	3.05	11040BZ	PRESFLO® Lav Strainer Body w/OF - BZ	38.25	11150AP	PRESFLO® Metal Stopper 1.625"-16 - AP	28.60
10080	Elbow for 515 Direct Drain; Polypropylene	8.05	11040CB	PRESFLO® Lav Strainer Body w/OF - CB	33.50	11150BB	PRESFLO® Metal Stopper 1.625"-16 - BB	17.45
10081	Drain Tee for 515 Direct Drain; Polypropylene	8.90	11040CP	PRESFLO® Lav Strainer Body w/OF - Chrome	15.35	11150BN	PRESFLO® Metal Stopper 1.625"-16 - BN	16.00
10082	Overflow Elbow for 515 Direct Drain; Polypropylene	9.25	11040NP	PRESFLO® Lav Strainer Body w/OF - NP	Call	11150BZ	PRESFLO® Metal Stopper 1.625"-16 - BZ	25.80
10096	Overflow Ell, 2-Hole - Sch 40 ABS	5.80	11040PV	PRESFLO® Lav Strainer Bdy w/OF - PB	19.35	11150CB	PRESFLO® Metal Stopper 1.625"-16 - CB	Call
10098	Overflow Ell, 2-Hole - Sch 40 PVC	6.25	11040WI	PRESFLO® Lav Strainer Bdy w/OF - WI	Call	11150CP	PRESFLO® Metal Stopper 1.625"-16 - CP	11.75
10121	Watco Strainer Body Removal Tool	48.05	11041AP	PRESFLO® Lav Body w/OF; outside threads - AP	34.10	11150NP	PRESFLO® Metal Stopper 1.625"-16 - NP	20.50
10210CP	1-Hole Blank Overflow Plate - Chrome	6.30	11041BB	PRESFLO® Lav Body w/OF; outside threads - BB	50.25	11150PV	PRESFLO® Metal Stopper 1.625"-16 - PV	20.50
10210PV	1-Hole BLANK Overflow Plate - Polished Brass	11.60	11041BN	PRESFLO® Lav Body w/OF; outside threads - BN	Call	11150WI	PRESFLO® Metal Stopper 1.625"-16 - WI	Call
10410CP	2-Hole Blank Overflow Plate, metal - CP	6.30	11041BZ	PRESFLO® Lav Body w/OF; outside threads - BZ	38.85	11155AP	PRESFLO® Plastic Stopper 1.625"-16 - AP	24.35
10630CP	3" Screw, Flat-Heat, Unplated	8.55	11041CB	PRESFLO® Lav Body w/OF; outside threads - CB	Call	11155BB	PRESFLO® Plastic Stopper 1.625"-16 - BB	35.55
10671	Innovator® Drain Slip Washer	1.85	11041CP	PRESFLO® Lav Body w/OF; outside threads - CP	15.95	11155BN	PRESFLO® Plastic Stopper 1.625"-16 - BN	27.15
10674	Beveled Sponge Overflow Ell Washer	2.25	11041NP	PRESFLO® Lav Body w/OF; outside threads - NP	Call	11155BZ	PRESFLO® Plastic Stopper 1.625"-16 - BZ	27.15
10675	Overflow Ell Foam Washer	2.30	11041PV	PRESFLO® Lav Body w/OF; outside threads - PV	Call	11155CB	PRESFLO® Plastic Stopper 1.625"-16 - CB	27.15
10676	PUSH PULL® Basin Plastic Backing Washer	2.25	11041WI	PRESFLO® Lav Body w/OF; outside threads - WI	Call	11155CP	PRESFLO® Plastic Stopper 1.625"-16 - CP	10.30
10678	Black, Soft Rubber OE Washer	4.80	11050AP	PRESFLO® Lav Strainer Body w/OF - AP	34.40	11155NP	PRESFLO® Plastic Stopper 1.625"-16 - NP	19.05
10691	Innovator® Drain Seal	2.75	11050BB	PRESFLO® Lav Strainer Body w/OF - BB	46.40	11155PV	PRESFLO® Plastic Stopper 1.625"-16 - PV	19.05
10693	Drain Flange Gasket, Perfect Fit	2.60	11050BN	PRESFLO® Lav Strainer Body w/OF - BN	31.35	11155WI	PRESFLO® Plastic Stopper 1.625"-16 - WI	Call
10694	Overflow Flange Gasket - Perfect Fit	2.50	11050BZ	PRESFLO® Lav Strainer Body w/OF - BZ	39.15	11290CP	PUSH PULL Plastic Stopper 3/8" Pin - CP	5.10
10695	Drain Ell Washer - 1.375"	1.80	11050CB	PRESFLO® Lav Strainer Body w/OF - CB	Call	11290WH	PUSH PULL Plastic Stopper 3/8" Pin - WH	4.40
10696	Drain Ell Washer - 1.5"	1.85	11050CP	PRESFLO® Lav Strainer Body w/OF - CP	16.70	11291CP	PUSH PULL Plastic Stopper Universal NuFit - CP	5.10
10697	PUSH PULL® Basin Flat Backing Washer	2.50	11050NP	PRESFLO® Lav Strainer Body w/OF - NP	Call	11307BB	Plastic Push Pull Knob BB	8.85
10700CP	TRIP LEVER Overflow Plate Assembly - Chrome	9.45	11050PV	PRESFLO® Lav Strainer Body w/OF - PB	20.25	11307BN	Plastic Push Pull knob BN	8.10
10700BN	TRIP LEVER Overflow Plate Assembly - BN	15.55	11050WI	PRESFLO® Lav Strainer Body w/OF - WI	Call	11307BS	Plastic Push Pull knob BS	Call
10700BO	TRIP LEVER Overflow Plate Assembly - Bone	31.20						

## Parts

## List Prices, Numerical (Cont.)

11307BZ	Plastic Push Pull knob BZ	6.05	14009	Overflow Ell - Schedule 40, PVC	4.30	20080CB	Cable Strainer Body - Brushed Chrome	34.70
11307CP	Plastic Push Pull knob CP	3.35	14010	Sanitary Tee, Schedule 40, PVC	7.05	20080CP	Cable Strainer Body - Chrome Plated	12.70
11307NP	Plastic Push Pull knob NP	6.15	14011	Sanitary Tee, Schedule 40, ABS	7.15	20080NP	Cable Strainer Body - Nickel Plated	17.40
11307WH	PUSH PULL® Knob - Plastic - White	2.65	14012	Overflow Ell Condensate Drain, Schedule 40, PVC	6.85	20080PV	Cable Strainer Body - Polished Brass	17.40
11360CP	Strainer Body 1.865" x 11.5, 3.05 Flange - CP	16.70	14013	Innovator® Drain Crossbars, PVC	3.70	20080WH	Cable Strainer Body - White	21.50
11360PV	Strainer Body 1.865" x 11.5, 3.05 Flange - PB	27.70	14016	Cable Drain Elbow, Schedule 40 PVC, 1-1/2"	18.95	20080WI	Cable Strainer Body - Wrought Iron	35.60
11370CP	Strainer Body, 1.625-in x 16, 3.05 Flange - CP	15.65	14017	Tee with Seat, Schedule 40 PVC	4.80	20085	Cable Drain Ell Assembly	35.55
11370PV	Strainer Body, 1.625-in x 16, 3.05 Flange - PB	26.70	14019	Tubular Innovator® Overflow Ell, PVC	8.30	20100	Cable Overflow Ell Gasket	5.50
11380CP	Strainer Body, 1.625-in x 14, 3.05 Flange - CP	17.20	14020	Innovator® Overflow Ell - Schedule 40 PVC	4.90	20110	Cable Stopper Adjustment Screw	2.95
11380PV	Strainer Body, 1.625-in x 14, 3.05 Flange - PB	27.00	14021	Perfect Fit Overflow Flange - Schedule 40 PVC	6.65	20120	Cable Stopper Adjustment Nut	2.10
11420CP	PP & LT Strainer Body, 1.749" x 12 (Gopher) - CP	11.30	14022	Perfect Fit Drain Flange, 1.5" - Schedule 40 PVC 9.80	6.65	20122	Nut for Cable Wire	8.25
11430CP	PUSH PULL® Basin Strainer Body, brass - Chrome	15.55	14023	Elbow (OE & DE) Perfect Fit - Schedule 40 PVC 4.95	4.95	20130	Cable DE Washer	3.25
11431CP	PP Basin Body w/o Overflow - Chrome	15.10	14027	Direct Drain Tee, Schedule 40 PVC CT	9.40	20140	Cable Overflow Plate Locking Screw	3.70
11432CP	PUSH PULL® Basin Body, brass; no OF; w O.D.-CP	16.40	14028	Drain Ell, Coarse-Thread Tubular, PVC	5.50	20145	Cable Drive Shaft	3.75
11480	Innovator® Drain Retainer Nut, PVC	3.95	14029	Cable Overflow Elbow, Schedule 40 PVC, 1-1/2	16.75	20146	Cable Retainer	3.60
11490CP	TRIP LEVER Zinc Str. Body, 1.625" x 16-CP only	8.20	20020BN	TURNSTYLE® Overflow Mount w/Prongs - BN	30.05	20147	Cable Core Guide	4.40
11492CP	LT/FA Strainer Body, 1.865" x 11.5 (Zinc) 3/8"-CP	8.30	20020BO	TURNSTYLE® Overflow Mount w/Prongs - BO	30.75	20151	Cable Core	1.95
11494CP	PUSH PULL® Strainer Body, 1 11/16" x 16 x 1in-CP	8.30	20020BS	TURNSTYLE® Overflow Mount w/Prongs - BS	30.75	20156	21-In. Sheath W/brass Threads for Cable Bathwaste	10.60
11495CP	TL Strainer Body, Zinc 1.865" x 11.5 - Chrome	8.30	20020BZ	TURNSTYLE® Overflow Mount w/Prongs - BZ	38.10	20158	Innovator Cable Core Barrel	5.30
11504	PP Friction Ring, Small Gap	1.80	20020CB	TURNSTYLE® Overflow Mount w/Prongs - CB	37.15	20160	31-In. Sheath w/Brass Threads for Cable Bathwaste	14.15
11507	Seal, PP & LT - 1 1/16" Dia.	1.90	20020CP	TURNSTYLE® Overflow Mount w/Prongs - CP	16.70	38100BUSH	Bushing Board with Bushings #38101-thru-#38116	389.40
11509	Basin Wedge Seal, PUSH PULL®	2.50	20020NP	TURNSTYLE® Overflow Mount w/Prongs - NP	27.30	40675	Overflow Ell Washer for Brass Bath Waste	3.10
11584	Post & Friction Ring, 3/8", PUSH PULL® only	5.80	20020PV	TURNSTYLE® Overflow Mount w/Prongs - PB	28.00	41005	Brass Drop Cylinder for Brass Wash	9.65
11564	Post & Friction Ring, 5/16", PUSH PULL® only	5.85	20020WH	TURNSTYLE® Overflow Mount w/Prongs - WH	23.25	41021	Sliptube, 17g Brass, 1.508 I.D. x 3-in.	6.60
11515	11512 Plas. Pin & 11504 PP Friction Ring-Small Gap	4.05	20020WI	TURNSTYLE® Overflow Mount w/Prongs - WI	37.75	41029BN	Brass Lav Drop Tube 7-in. - Brushed Nickel	64.35
11519	FOOT ACTUATED Seal	2.05	20030BN	Cable Overflow Plate - Brushed Nickel	39.50	41029BZ	Brass Lav Drop Tube 7-in. - Oil-Rubbed Bronze	50.30
11520	Univ. NuFit 11537 Plastic Pin & 11529 Friction Ring	4.05	20030BO	Cable Overflow Plate - Bone	32.50	41029CB	Brass Lav Drop Tube 7-in. - Chrome Brushed	45.05
11526	Innovator Cable® Stopper Seal - 1-1/16 In.	3.05	20030BS	Cable Overflow Plate - Biscuit	32.50	41029CP	Brass Lav Drop Tube 7-in. - CP	19.60
11527	Universal NuFit Seal	2.60	20030BZ	Cable Overflow Plate - Oil-Rubbed Bronze	50.35	41029NP	Brass Lav Drop Tube 7-in. - Polished Nickel	31.95
11529	Universal NuFit Friction Ring	1.85	20030CB	Cable Overflow Plate - Chrome Brushed	50.35	41029PV	Brass Lav Drop Tube 7-in. - Polished Brass	32.75
11530	Retainer Plate	2.25	20030CP	Cable Overflow Plate - Chrome	20.90	41037BN	12" Brass Lav Drain Tube - BN	75.30
11531	Retainer Plate for 2-Hole Schedule 40	2.25	20030NP	Cable Overflow Plate - Nickel Polished	25.75	41037BZ	12" Brass Lav Drain Tube - BZ	61.25
11533	Chicago Alignment Plate	2.95	20030PV	Cable Overflow Plate - Polished Brass	25.75	41037CB	12" Brass Lav Drain Tube - CB	54.60
11537	Universal NuFit PP Pin Plastic	2.20	20030WH	Cable Overflow Plate - White	32.50	41037CP	12" Brass Lav Drain Tube - CP	29.65
11540	Retainer Plate Screw	2.00	20030WI	Cable Overflow Plate - Wrought Iron	50.35	41037NP	12" Brass Lav Drain Tube - NP	43.70
11547	Threaded Adapter Pin - 3/8-5/16 - Brass	4.20	20035	Cable Overflow Ell Assembly	21.40	41037PV	12" Brass Lav Drain Tube - PB	43.70
11551	Threaded Adapter Pin - #10-24 - Brass	4.20	20040	Cable Drain Ell Lock Pin	3.60	41040	Chicago Overflow Tube - 12 in.	38.70
11554	Threaded Adapter Pin - 1/4-20 - Brass	4.20	20065BN	Cable Full-Cover Stopper - Brushed Nickel	43.10	41041	Chicago Overflow Tube - 17 in.	29.00
11573	6-in Dial Calipers, 4-way measurement	149.35	20065BO	Cable Full-Cover Stopper - Bone	22.45	41540	Brass Screw for Brass Retainer Plate	2.10
11574	Set of Steel Thread Gauges 4-84 threads	71.75	20065BS	Cable Full-Cover Stopper - Biscuit	35.00	41580	Brass Slip Nut	4.85
11577	Green Test Plug with O-Ring-Type Washer	4.15	20065BZ	Cable Full-Cover Stopper - Oil-Rubbed Bronze	43.85	41582	Brass Half Ferrule, 1-1/2 in.	2.90
11580	Slip Joint Nut - Black 1.5"	1.80	20065CB	Cable Full-Cover Stopper - Brushed Chrome	42.75	41583	Brass Ferrule	4.00
11581	Slip Joint Nut - White 1.5"	2.00	20065CP	Cable Full-Cover Metal Stopper - Chrome	20.95	41585	Basin PP Zinc Wedge Nut	3.05
11583	Slip Joint Poly Washer 1.5"	1.60	20065NP	Cable Full-Cover Stopper - Nickel Polished	28.55	44001	Brass Tee for TRIP LEVER	35.50
11607	Hub - Schedule 40 PVC	9.35	20065PV	Cable Full-Cover Stopper - Polished Brass	46.90	44002	Brass Drain Ell - 1.625 in. - 16	14.85
11608	Hub - Schedule 40 ABS	9.05	20065WH	Cable Full-Cover Stopper - White	35.00	44003	Brass Overflow Ell	16.45
11610	Spigot - Schedule 40 PVC only	8.40	20065WI	Cable Full-Cover Stopper - Wrought Iron	43.85	44004	Brass Overflow Ell with Condensate Drain	21.60
11613	14-Inch Tube Extension, ABS Tubular Plastic	6.30	20067BB	Cable Stopper Top - BB	16.20	44005	Brass Overflow Ell for Innovator	29.80
11614	14-Inch Tube Extension, PVC Tubular Plastic	10.60	20067BN	Cable Stopper Top - BN	14.85	44006	Brass Drain Ell, 1.5 in. - 11.5	23.20
11619	6.5-in Double-Loop Wire	3.10	20067BO	Cable Stopper Top - BO	21.10	44007	Brass Direct Drain with Internal Threads	30.55
11620	Double-Loop Wire - 7 1/2-in	3.55	20067BS	Cable Stopper Top - BS	15.35	44010	Brass Direct Drain Tee with Internal Threads	33.55
11621	Double-Loop Wire - 9 1/2-in	4.30	20067BZ	Cable Stopper Top - BZ	15.75	44011	Brass Elbow for Direct Drain	16.95
11622	Double-Loop Wire - 10 1/2"	4.60	20067CB	Cable Stopper Top - CB	27.45	44012	Brass Lay-Down Tee	50.25
11623	Double-Loop Wire - 11.375"	4.70	20067CP	Cable Stopper Top - CP	7.05	44013	Chicago Overflow Flange	9.10
11624	Double-Loop Wire - 13 1/2"	6.70	20067NP	Cable Stopper Top - NP	27.50	96039	PRESFLO Suction Cup 1.5-in.	2.25
11641	Adapter Bar, Aluminum	3.10	20067PV	Cable Stopper Top - PV	27.50	96057	New Silicone Pouch	4.20
14000	Tubular Tee, PVC	6.75	20067WH	Cable Stopper Top - WH	4.55	96067	Double-Sided Adhesive Ring for NuFit	4.60
14001	Removable Tailpiece, Tee PVC	10.35	20068	Cable Stopper Shaft	5.55	96068	Double-Sided Adhesive Ring for NuFit Grid Body	4.60
14003	Tubular Overflow Ell, PVC	5.90	20069	Cable Stopper Screw #6x3/4 Fillister MS	3.55	17GA-___	17 Gauge Brass Tubing per inch	5.15
14004	Tubular Overflow Ell Condensate Drain, PVC	6.80	20072	Cable Stopper Spring	2.85	20-GA-___	20 Gauge Brass Tubing per inch	4.10
14005	Drop Cylinder - PVC Plastic	2.00	20080BN	Cable Strainer Body - Brushed Nickel	31.30	SCHPVC-	Schedule 40 ABS Tubing per inch	3.50
14006	Tubular Drop Cylinder w/ O-Ring PVC	2.35	20080BO	Cable Strainer Body - Bone	21.50	SCHABS-	Schedule 40 PVC Tubing per inch	5.75
14007	Innovator® Drain Elbow - Long - Sch40 PVC	15.45	20080BS	Cable Strainer Body - Biscuit	21.50	SA01010	Finish Display Board	82.25
14008	Drain Elbow - Schedule 40, PVC	4.40	20080BZ	Cable Strainer Body - Oil-Rubbed Bronze	35.60	U80256	Union Tee with Seat	25.50

## BRASS PARTS & FITTINGS

01003CP	2-Hole Overflow Plate, Metal	5.30	41580	Brass Slip Nut	4.85
01024CP	Overflow Plate Screw, 2.25"	3.10	41582	Brass Half Ferrule (2 usually required) each	2.90
10675	Overflow Elbow Gasket - Foam	2.30	41583	Brass Ferrule (2 usually required) each	4.00
10696	Drain Elbow Washer, 1.5", Gray, Coarse Thread	1.85	44001	Brass Tee with Seat	35.50
11530	Retainer Plate	2.25	44002	Brass Drain Elbow, 1.625-16, Fine Thread	14.85
11533	Chicago Alignment Plate	2.95	44003	Brass Overflow Elbow	16.45
11583	Slip Joint Polywasher 1.5"	1.60	44004	Brass Overflow Elbow with Condensate Drain	21.60
17GA-__	Brass Pipe - 17 Gauge (specify length) Per Inch	5.15	44005	Brass Innovator® Overflow Elbow	29.80
20GA-__	Brass Pipe - 20 Gauge (specify length) Per Inch	3.55	44006	Brass Drain Elbow, 1.865-11.5, Coarse Thread	23.20
40675	Overflow Elbow Washer for Brass Bath Waste	3.10	44007	Brass Direct Drain with Internal Threads	30.55
41005	Brass Drop Cylinder for Brass	9.65	44010	Brass Direct Drain Tee with Internal Threads	33.55
41021	Sliptube, 17g Brass, 1.508 I.D. x 3 in.	6.60	44011	Brass Elbow for Direct Drains	16.95
41040	Chicago Overflow Tube 12"	38.70	44012	Brass Lay-Down Tee (New York Tee)	50.25
41041	Chicago Overflow Tube 17"	29.00	44013	Chicago-Code Overflow Flange	9.10
41540	Brass Screw for Retainer Plate for Brass	2.10	U80256	Brass Tee for Slip 'N Solder bath wastes	25.50

## CABLE BATH WASTES PARTS & FITTINGS

### 528/538 BRASS CABLE - NON-TESTABLE

11134	Cable O-Ring: AS 568A-204	2.90	20100	Cable Overflow Elbow Gasket	5.50
11507	Stopper Seal, 1-1/16" dia	1.90	20110	Cable Stopper Adjustment Screw (Brass Cable)	2.95
11583	Slip Joint Polywasher 1.5"	1.60	20120	Cable Stopper Adjustment Nut (Brass Cable)	2.10
20020CP	TURNSTYLE® Overflow Mount - Chrome	16.70	20122	Nut for Cable Wire	8.25
20030CP	Cable Overflow Plate - Chrome	20.90	20130	Cable Drain Elbow Washer	3.25
20035	Cable Overflow Elbow Assembly with 20041 Turning Pin	21.40	20140	Cable Overflow Plate Locking Screw	3.70
20040	Cable Drain Elbow Lock Pin	3.60	20156	22.125" Sheath with Brass Threads for Cable Assembly	10.60
20065CP	Stopper w/20110 screw & 20120 nut - Chrome	20.95	20160	31" Sheath with Brass Threads for Cable Assembly	14.15
20080CP	Cable Strainer Body - Chrome	12.70	41580	Brass Slip Nut	4.85
20085	Cable Drain Elbow Assembly	35.55	44001	Brass Tee with Seat	35.50

### INNOVATOR® CABLE - TESTABLE

01016CP	PP/LT Strainer Body, Brass, 1.865"-11.5x1.25" - Chrome	11.75	11016	Cable Drain Elbow, Schedule 40 ABS, 1-1/2"	19.50
01019CP	Innovator® Cable Faceplate - Chrome Plated	15.00	11029	Cable Overflow Elbow, Schedule 40 ABS	17.20
01032CP	Cable Faceplate Screw, 1/4-20x1-3/4", with Screw Guide	5.15	11526	Cable Stopper Seal	3.05
01036	Cable Retainer-to-Overflow Screw	2.05	11577	Green Test Plug with O-Ring-type Gasket Assembly	4.15
01037	Cable Adapter-to-Drive Shaft Screw	2.00	14010	Sanitary Tee, Schedule 40 PVC, 1-1/2"	7.05
01047CP	Cable Overflow Elbow Retainer Nut - Chrome Plated	7.25	14011	Sanitary Tee, Schedule 40 ABS, 1-1/2"	7.15
01071	Cable Faceplate Adapter - Thin	4.80	14016	Cable Drain Elbow, Schedule 40 PVC	18.95
01072	Cable Faceplate Adapter - Medium	5.10	14029	Cable Overflow Elbow, Schedule 40 PVC	16.75
01073	Cable Faceplate Adapter - Thick	5.55	20067CP	Cable Stopper - Chrome Plated	7.05
01076	Cable Theft-Resistant Device	3.80	20068	Cable Stopper Shaft	5.55
01077CP	Cable Overflow Elbow Retainer Nut Cover - Chrome Plated	#N/A!	20069	Stopper Adjusting Screw	3.55
01078	WatcoLoc Insert	4.50	20072	Cable Stopper Spring	2.85
01079	Cable Quick-Connect O-Ring Vitron M2 5x7	1.75	20145	Cable Drive Shaft	3.75
01080	Cable Quick-Connect O-Ring EPDM M2 5x7	1.65	20146	Cable Retainer	3.60
01081	Cable Screw Guide	3.05	20147	Cable Core Guide	4.40
10675	Overflow Elbow Gasket, Foam	2.30	20151	Cable Core	1.95
10694	Overflow Flange Gasket, Foam Rubber (Perfect Fit®)	2.50	20158	Cable Core Anchor Barrel	5.30
10696	Drain Elbow Gasket, 1.5", Coarse Thread, gray	1.85			

## GASKETS - SEALS - WASHERS

10671	Innovator® Drain Elbow Slip Washer	1.85	10696	Drain Elbow Gasket, 1.90" I.D., 2.75" O.D., Gray	1.85
10674	Beveled Sponge Overflow Elbow Washer	2.25	10697	Basin PP Flat Backing Washer	2.50
10675	Overflow Ell Washer, Foam	2.30	11507	Stopper Seal, 1-1/16" dia.	1.90
10676	Basin Plastic Backing Washer	2.25	11509	Basin PF/PP Wedge Seal	2.50
10678	Black, Soft Rubber Overflow Elbow Gasket	4.80	11519	Foot Actuated Seal	2.05
10691	Innovator® Drain Rubber Seal	2.75	11526	Cable Stopper Seal, 1-1/16"	3.05
10693	Drain Flange Gasket, Rubber, Perfect Fit	2.60	11527	Universal NuFit® Seal	2.60
10694	Overflow Elbow Flange Gasket, Half Height	2.50	40675	Overflow Elbow Washer for Brass	3.10
10695	Drain Elbow Washer 1.375", Fine Thread, Black	1.80			

See previous list of Part Numbers for other finishes available for items indicated with a CP finish.

## Parts

## List Prices, By Category (Cont.)

## INNOVATOR® – 900 SERIES PARTS &amp; FITTINGS

01001CP	W-Overflow Plate - Chrome Plated	15.40	11507	Stopper Seal, 1-1/16"	1.90
01005CP	Overflow Plate, Innovator® - Chrome Plated	6.35	11577	Green Test Plug with O-Ring-type Gasket Assembly	4.15
10675	Overflow Elbow Gasket, 2-1/4 I.D., 3-1/2 O.D., 5/8" Foam	2.30	14008	Drain Elbow, Schedule 40 PVC	4.40
10696	Drain Elbow Gasket, 1.90 I.D., 2.75 O.D. - Gray	1.85	14010	Sanitary Tee, Schedule 40 PVC	7.05
11008	Drain Elbow, Schedule 40 ABS	4.30	14011	Sanitary Tee, Schedule 40 ABS	7.15
11019	Innovator® Overflow Elbow, Tubular Plastic, ABS	7.50	14019	Innovator® Overflow Elbow, Tubular, PVC	8.30
11020	Innovator® Overflow Elbow, Schedule 40 ABS	5.05	14020	Innovator® Overflow Elbow, Schedule 40, PVC	4.90
11027	Direct Drain Tee, Schedule 40 ABS	7.40	14027	Direct Drain Tee, Schedule 40 PVC	9.40
11114	O-Ring-type Test Cap Assembly for Innovator® Overflow	4.65	44005	Brass Overflow Elbow for Brass Innovator® Series	29.80
11121	ABS Retainer Star Nut for Innovator®	2.40			

## INNOVATOR® DRAIN SERIES PARTS &amp; FITTINGS

01005WH	Overflow Plate, Innovator® - White	4.00	11480	Innovator® Drain Elbow Retainer Nut.	3.95
10671	Innovator® Drain Elbow Slip Washer	1.85	11507	Stopper Seal, 1-1/16"	1.90
10675	Overflow Elbow Gasket, 2-1/4 I.D., 3-1/2 O.D., 5/8" Foam	2.30	11515	Plastic Pin, 3/8" (11512) & Small Gap Friction Ring (11504)	4.05
10691	Innovator® Drain Elbow Rubber Seal	2.75	14007	Innovator® Drain Elbow-Long - PVC.	15.45
11007	Innovator® Drain Elbow-Long - White ABS	12.90	14010	Sanitary Tee - Schedule 40 PVC	7.05
11019	Innovator® Overflow Elbow, Tubular - ABS	7.50	14011	Sanitary Tee - Schedule 40 ABS	7.15
11020	Innovator® Overflow Elbow - Schedule 40 ABS	5.05	14013	Innovator® Drain Crossbar, removable	3.70
11121	Retainer Star Nut for Innovator®	2.40	14020	Innovator® Overflow Elbow - Schedule 40 PVC	4.90
11290WH	Plastic Stopper - White	4.40	14027	Direct Drain Tee - Coarse Thread - Schedule 40 PVC	9.40
11307WH	Plastic Knob - White	2.65			

## LAVATORY DRAINS PARTS &amp; FITTINGS

## PRESFLO® LAVATORY DRAINS

11040CP	PresFlo® Lav Strainer Body, no OF, 1.26-18x1.35 - CP	15.35
11041CP	PresFlo® Lav Strainer Body, no OF, O.D. Threads - CP	15.95
11050CP	PresFlo® Lav Strainer Body, w/OF, 1.26-18x1.35 - CP	16.70
11131	O"-Ring PresFlo® Seal FT	1.70
11150CP	PresFlo® Stopper-Brass, Basin - Chrome (also order 11131)	11.75
96039	PresFlo® Suction Cup, 1.5" (for removing PresFlo® stopper)	2.25
10697	Basin PF/PP Flat Backing Washer	2.50
11509	Basin PF/PP Wedge Seal	2.50
41029CP	Basin Drop Tube 7-in - Chrome Plated	19.60

## PUSH PULL® LAVATORY DRAINS

01010CP	Knob, Brass	4.00
01013CP	Stopper, Brass	8.95
10676	Basin (700-PP) Push Pull® Plastic Backing Washer	2.25
11290CP	(700-PP) Push Pull® Stopper, ABS Plastic - Chrome Plated	5.10
11430CP	Basin PP Strainer Body, OF, 1.26-18x1.35 - CP	15.55
11431CP	Basin PP Strainer Body, no OF, 1.26-18x1.35 - CP.	15.10
11432CP	Basin PP Strainer Body, no OF, O.D. Threads	16.40
11507	Stopper Seal, 1-1/16" dia..	1.90
11584	PP 3/8" Pin (11508) and Friction Ring (11504).	5.80
41037CP	Basin Brass Drop Tube 12-in - Chrome Plated	29.65
41585	Basin PF/PP Zinc Wedge Nut	3.05

## OVERFLOW PLATES &amp; SCREWS

01001CP	W-Overflow Plate, Plastic - Chrome Plated	15.40	01031CP	4" Faceplate Screw, Brass - Chrome Plated	6.65
01002CP	1-Hole Overflow Plate, Metal - Chrome Plated	5.30	01032CP	Cable Faceplate Screw (also order #01081)	5.15
01003CP	2-Hole Overflow Plate, Metal - Chrome Plated	5.30	10210CP	1-Hole Overflow Plate, Metal, Blank - Chrome Plated.	6.30
01005CP	Overflow Plate, Innovator® - Chrome Plated	6.35	10410CP	2-Hole Overflow Plate, Metal, Blank - Chrome Plated..	6.30
01019CP	Cable (Testable) Overflow Plate - Chrome Plated	15.00	10630CP	3" Screw, Flat Head, Chrome-Plated.	8.55
01024CP	2.25" Overflow Plate Screw, Brass - Chrome Plated	3.10	20030CP	Cable (528/538) Overflow Plate - Chrome Plated..	20.90
01026	Thumb Screw (600 TK), 1/4-20x1.5"	3.35	20140	Cable Overflow Plate Locking Screw	3.70
01030CP	3-3/4" Overflow Plate Screw, Stainless Steel - Chrome	6.25			

## PERFECT FIT® – 400 SERIES PARTS &amp; FITTINGS

01022CP	PP/LT Strainer Body, 1.625"-16-1.25" - Chrome Plated	12.65	11023	Perfect Fit® Pancake 900 Elbows (OE and DE), Sc.40 ABS	3.60
10675	Overflow Elbow Gasket, 2-1/4 I.D., 3-1/2 O.D., 5/8" Foam	2.30	14010	Sanitary Tee - Sch 40 PVC	7.05
10693	Perfect Fit® Drain Flange Gasket, Rubber	2.60	14011	Sanitary Tee - Sch 40 ABS.	7.15
10694	Perfect Fit® Overflow Flange Gasket, Foam Rubber	2.50	14021	Perfect Fit® Overflow Flange, Schedule 40 PVC	6.65
11021	Perfect Fit® Overflow Flange, Schedule 40 ABS	3.10	14022	Perfect Fit® Drain Flange, 1.5", Schedule 40 PVC	9.80
11022	Perfect Fit® Drain Flange, Schedule 40 ABS	7.55	14023	Perfect Fit® Pancake 900 Elbows (OE & DE), Sch. 40 PVC	4.95

See previous list of Part Numbers for other finishes available for items indicated with a CP finish.



# Parts

# List Prices, By Category (Cont.)

Parts: Listed by Category

SCHEDULE 40 PIPE & FITTINGS					
10096	Overflow Elbow- 2-Hole - Schedule 40 ABS	5.80	11608	Hub Adapter - Schedule 40 ABS	9.05
10098	Overflow Elbow- 2-Hole - Schedule 40 PVC	6.25	11610	Spigot Adapter - Schedule 40 PVC	8.40
10674	Beveled Sponge Overflow Elbow Gasket	2.25	14008	Drain Elbow - Schedule 40 PVC	4.40
11008	Drain Elbow - Schedule 40 ABS	4.30	14009	Overflow Elbow- 1-Hole - Schedule 40 PVC	4.30
11009	Overflow Elbow- 1-Hole - Schedule 40 ABS	4.40	14010	Sanitary Tee - Schedule 40 PVC	7.05
11017	Tee with Seat - Schedule 40 ABS	4.95	14011	Sanitary Tee - Schedule 40 ABS	7.15
11020	Innovator® Overflow Elbow - Schedule 40 ABS	5.05	14012	Overflow Elbow Condensate Drain, Schedule 40 PVC	6.85
11027	Direct Drain Tee - Schedule 40 ABS	7.40	14017	Tee with Seat - Schedule 40 PVC	4.80
11531	Retainer Plate for 2-Hole Schedule 40	2.25	14020	Innovator® Overflow Elbow - Schedule 40 PVC	4.90
11540	Retainer Plate Screw	2.00	14027	Direct Drain Tee - Schedule 40 PVC	9.40
11577	Green Test Plug with O-Ring-type Gasket Assembly	4.15	SCHABS-__	Schedule 40 ABS Pipe (specify length in inches) per inch	0.45
11607	Hub Adapter - Schedule 40 PVC	9.35	SCHPVC-__	Schedule 40 PVC Pipe (specify length in inches) per inch	0.35
STRAINER BODIES (See page 74 for Lavatory Strainer Bodies.)					
01016CP	Strainer Body, Brass, 1.865" O.D. -11.5 tpi x1.25" depth - CP	11.75	11070CP	PresFlo® Strainer Body, 1.625"-16x1.25 - Chrome Plated	18.50
01017CP	PP only, Strainer Body 1.625" O.D. - 16 x 1" depth - CP	13.05	11360CP	Body, 1.865" O.D. -11.5 tpi x1.25" depth, 3.0" Flange - CP	16.70
01018CP	Strainer Body, 1.625" O.D. -14 tpi x1.25" depth - CP.	15.35	11370CP	Str. Body, 1.625" O.D. -16 tpi x1.25" depth, 3.0" Flange - CP	15.65
01022CP	Strainer Body, Brass, 1.625" O.D. -16 tpi x1.25" depth - CP	12.65	11380CP	Str. Body, 1.625" O.D. -14 tpi x1.25" depth, 3.0" Flange - CP	17.20
01033CP	Bushing Strainer Body, 1.375 O.D.-16 tpi x1.62 depth - CP	16.05	11420CP	Strainer Body, 1.749" O.D. -12 tpi x1.25" depth (Gopher) - CP	11.30
01042CP	PresFlo® NuFit® Strainer Body - Chrome Plated.	15.80	11430CP	Basin PP Str. Body, 1.51"-18x1.20", 2.12" Flange - CP	15.55
01043CP	Push Pull® NuFit® Strainer Body - Chrome Plated	13.25	11431CP	Basin PP Str. Body, no OF, 1.51" -18 tpi x1.20", 2.12" FI - CP	15.10
01044CP	Lift and Turn NuFit® Strainer Body - Chrome Plated.	13.20	11490CP	TL Strainer Body, Zinc, 1.625" O.D. -16 tpi x1.25" depth - CP	8.20
01050HP	QuickTrim® Strainer Body Cover - Chrome	7.75	11492CP	Strainer Body, Zinc, 1.865" O.D. -11.5 tpi x1.25" depth - CP.	8.30
11030CP	PresFlo® Strainer Body, 1.625"-14x1.25" - Chrome Plated.....	15.25	11494CP	Strainer Body, PP - 1.67" O.D. -16 tpi x1.0" depth - CP.	8.30
11060CP	PresFlo® Strainer Body, 1.865"-11.5x1.25" - Chrome Plated	17.35	11495CP	TL Str. Body, Zinc, 1.865" O.D. -11.5 tpi x1.25" depth - CP.	8.30
NUFIT SERIES / Universal Nufit series PARTS & FITTINGS					
01042CP	PresFlo® NuFit® Strainer Body - Chrome Plated.	15.80	11529	Universal NuFit® Friction Ring	1.85
01043CP	PUSH PULL® NuFit® Strainer Body - Chrome Plated	13.25	11536	NuFit® Push Pull® Pin - 5/16	4.35
01044CP	Lift and Turn NuFit® Strainer Body - Chrome Plated	13.20	11537	Universal NuFit® Push Pull® Pin, Plastic	2.20
01046CP	Lift and Turn NuFit® Short Stopper - Metal - Chrome Plated	8.15	11539	NuFit® PP Screw, Long #10-32x1".	1.90
01052HP	Universal NuFit® Grid Strainer Body - Chrome	10.25	11547	Threaded Adapter Pin - 3/8-5/16 - Brass.	4.20
11078	Lift & Turn D Pin for NuFit®	3.75	11551	Threaded Adapter Pin - #10-24 - Brass.	4.20
11291CP	Universal NuFit® Push Pull® Stopper	5.10	11554	Threaded Adapter Pin - 1/4-20 - Brass	4.20
<b>11307CP</b>	Universal NuFit® Plastic Knob	3.35	96057	Silicone Pouch for NuFit® .	4.20
11520	Universal NuFit PP Pin (11537) and Friction Ring (11529)	4.05	96067	Watco Bonding Strip for no Grid - Green	4.60
11527	Universal NuFit® Seal	2.60	96068	Watco Bonding Strip for Grid - Red.	4.60
TRIP LEVER & TURNSTYLE BATH WASTE PARTS & FITTINGS					
01006CP	Dome Strainer Cover Plate - Chrome.	2.35	11495CP	Trip Lever Strainer Body, Zinc, 1.865"-11.5-1.25" - Chrome	8.30
01040CP	Strainer Cover Plate Screw - Chrome	2.50	11530	Retainer Plate.	2.25
10700CP	Trip Lever Faceplate Assembly - Chrome Plated	9.45	11531	Retainer Plate for 2-Hole Schedule 40 PVC	2.25
10910	Brass Drop Cylinder for Plastic	60.35	11540	Retainer Plate Screw	2.00
10920	Trip Lever Clevis for TURNSTYLE®	10.55	11580	Slip Joint Nut, ABS, 1.5"	1.80
10930	Trip Lever Cotter Pin	1.65	11581	Slip Joint Nut, PVC, 1.5"	2.00
10950	Trip Lever Quick Adjust® Clevis	4.75	11583	Slip Joint Polywasher, 1.5"	1.60
10952	Trip Lever Linkage Nut	1.75	11619	Double-Loop Wire, 6.5"	3.10
10953	Trip Lever Top-Linkage Eye BoLT	3.85	11620	Double-Loop Wire, 7.5"	3.55
10954	Double-Loop Wire, 5.25"	2.95	11621	Double-Loop Wire, 9.5"	4.30
10960	SLIP LOCK® Clevis with Head Assembly	13.40	11622	Double-Loop Wire, 10.5"	4.60
10963	SLIP LOCK® Single-Loop Wire	2.95	11623	Double-Loop Wire, 11.375"	4.70
11000	Tee, Tubular ABS	7.35	11624	Double-Loop Wire, 13.5"	6.70
11001	Removable Tailpiece Tee, Tubular ABS	9.05	14005	Drop Cylinder, Tubular PVC and Schedule 40 PVC	2.00
11005	Drop Cylinder, Tubular ABS	2.05	14006	Drop Cylinder with "O"-Ring, Tubular PVC	2.35
11006	Drop Cylinder with O-Ring, Tubular ABS	2.35	14017	Tee with Seat, Schedule 40 PVC	4.80
11017	Tee with Seat, Schedule 40 ABS	4.95	20020CP	TURNSTYLE® Overflow Mount- Chrome	16.70
11018	Drop Cylinder, SL and TS, ABS	3.00	41005	Brass Drop Cylinder for Brass	9.65
11095	Drop Cylinder O-Ring	1.70	41540	Brass Screw for Retainer Plate for Brass	2.10
11490CP	Trip Lever Strainer Body, Zinc, 1.625"-16-1.25" - Chrome	8.20			

## Parts

## List Prices, By Category (Cont.)

## TUB CLOSURE PARTS &amp; FITTINGS

## Foot Actuated

01016CP	Strainer Body, Brass, 1.865"-11.5-1.25" - Chrome Plated	11.75	11494CP	Push Pull® Strainer Body, 1-11/16"-16x1.25"	8.30
01018CP	Strainer Body 1.625"-14-1.25" - Chrome Plated	15.35	11519	Foot Actuated Replacement Seal	2.05
01022CP	Strainer Body, Brass, 1.625"-16.0-1.25" - Chrome Plated	12.65	38410CP	Foot Actuated Replacement Stopper, 5/16" Pin - Chrome.	9.25
11492CP	LT/FA Strainer Body, Zinc, 1.865"-11.5-1.25" - Chrome Plated	8.30	38412CP	Foot Actuated Replacement Stopper, 3/8" Pin - Chrome	9.85

## Presflo Tub

11030CP	PresFlo® Strainer Body 1.625"-14x1.25" - Chrome Plated	15.25	11140CP	PresFlo® Stopper-Brass for 1.865"-11.5 - Chrome Plated	13.30
11060CP	PresFlo® Strainer Body 1.865"-11.5x1.25" - Chrome Plated	17.35	11145CP	PresFlo® Stopper-Plastic for 1.865"-11.5 - Chrome Plated	5.10
11070CP	PresFlo® Strainer Body 1.625"-16x1.25" - Chrome Plated	18.50	11150CP	PresFlo® Stopper-Brass for 1.625"-16 - Chrome Plated	11.75
11131	PresFlo® "O"-Ring Seal for 1.625"-16 Stopper	1.70	11155CP	PresFlo® Stopper-Plastic for 1.625"-16 - Chrome Plated	10.30
11132	PresFlo® "O"-Ring Seal for 1.865"-11.5 Stopper	1.75	96039	PresFlo® Suction Cup, 1-1/2" (for removing PresFlo® stopper)	2.25

01010CP	pp/LT Knob, Brass - Chrome Plated	4.00	11360CP	Strainer Body, 1.865"-11.5, 3.00" Flange - Chrome Plated	16.70
01013CP	pp/LT Stopper, Brass - Chrome Plated	8.95	11370CP	Strainer Body, 1.625"-16, 3.00" Flange - Chrome Plated	15.65
01016CP	pp/LT Strainer Body, 1.865"-11.5-1.25" - Chrome Plated	11.75	11380CP	Strainer Body, 1.625"-14, 3.00" Flange - Chrome Plated	17.20
01017CP	pp only, Strainer Body 1.625"-16-1.0" - Chrome Plated	13.05	11420CP	Strainer Body, 1.749"-12-1.25" (Gopher) - Chrome Plated	11.30
01018CP	pp/LT Strainer Body 1.625"-14-1.25" - Chrome Plated	15.35	11492CP	LT/FA Strainer Body, Zinc, 1.865"-11.5-1.25" - Chrome Plated	8.30
01022CP	pp/LT Strainer Body 1.625"-16-1.25" - Chrome Plated	12.65	11494CP	pp Strainer Body 1-11/16"-16-1.25" - Chrome Plated	8.30
01033CP	pp/LT Bushing Strainer Body 1.375"-16-1.5" - Chrome Plated	16.05	11507	Seal, Push Pull® & Lift and Turn, 11/16" dia.	1.90
11079	Lift and Turn "D" Pin, Full Length	4.05	11513	1/4" PIN with Friction Ring	7.25
11088	Lift and Turn "D" Ring	1.85	11584	3/8" PIN with Friction Ring	5.80
11290CP	pp/LT StopperPlastic - Chrome Plated	5.10	11564	5/16" PIN with Friction Ring	5.85
11307CP	Universal NuFit Plastic Knob	3.35			

## TUBULAR PLASTIC PARTS &amp; FITTINGS

01003CP	2-Hole Overflow Plate, Metal	5.30	11540	Retainer Plate Screw (usually requires two) Each	2.00
01024CP	Overflow Plate Screw, 2.25"	3.10	11580	Slip Joint Nut, ABS	1.80
10080	Elbow for Direct Drain - Polypropylene	8.05	11581	Slip Joint Nut, PVC	2.00
10081	Drain Tee for Direct Drain - Polypropylene	8.90	11583	Slip Joint Polywasher	1.60
10082	Overflow Elbow for Direct Drain - Polypropylene	9.25	11611	Tube Extension - ABS - 10-inch	5.55
10675	Overflow Elbow Washer, Foam	2.30	11612	Tube Extension - PVC - 10-inch	7.55
10696	Drain Elbow Washer, 1.5" gray, Coarse Thread	1.85	11613	Tube Extension - ABS - 14-inch	6.30
10910	Brass Drop Cylinder for Tubular Plastic	60.35	11614	Tube Extension - PVC - 14-inch	10.60
11000	Tee, Tubular ABS	7.35	11626	31-3/4-inch Double-Loop Wire	11.25
11001	Removable Tailpiece Tee, Tubular ABS	9.05	11627	37-3/4-inch Double-Loop Wire	12.75
11003	Overflow Ell, Tubular ABS	7.00	14000	Tee, Tubular PVC	6.75
11004	Overflow Ell Condensate Drain, Tubular ABS	8.95	14001	Removable Tailpiece Tee, Tubular PVC	10.35
11006	Drop Cylinder with O-Ring, ABS	2.35	14003	Overflow Elbow, Tubular PVC	5.90
11019	Innovator® Overflow Ell, Tubular ABS	7.50	14004	Overflow Ell Condensate Drain, Tubular PVC	6.80
11028	Drain Elbow, Coarse Thread, Tubular, ABS	6.05	14019	Innovator® Overflow Ellbow Tubular PVC	8.30
11530	Retainer Plate	2.25	14028	Drain Elbow, Coarse Thread, Tubular PVC	5.50

## Miscellaneous parts

10674	Beveled Sponge Overflow Ell Washer	2.25	11574	Thread-Gauge Set	71.75
10121	Watco's New Strainer Body Removal Tool	48.05	11577	3/8" Green Test Plug with "O"-Ring-Type Washer	4.15
11111-Set	Keychain Color Sample Set	29.50	11587	3/8" Test Plug, Metal Threads - for 600 Series	10.05
11114	Test Cap for Innovator® Schedule 40 Series	4.65	11641.00	Adapter Bar	3.10
11573	6" Dial Caliper (4-Way Measure)	149.35	SA01010	Finish Display Board with Knobs	82.25

See previous list of Part Numbers for other finishes available for items indicated with a CP finish.

# New Packaging for Carded Items



**Available for most  
Trim Kits and Tub Closures**



**To order,  
place a “-C”  
at end of  
part number.**

Example:  
48701-PP-BZ-2P-C



## Policies and Miscellaneous Information

**Selling Policy:** Possession of our list price or jobber discount sheet is not an offer to sell. All orders are subject to acceptance by the home office in Independence, Missouri.

**Taxes and Government Regulations:** Sales or manufacturer's tax imposed under any existing or future statutes shall be added to price of the merchandise effective at the time shipment is made.

**Cash Discount:** 3% 15 days from date of invoice or 2% 10th prox. Net EOM.

**Freight Allowance:** All goods sold F.O.B. Independence, Missouri. For shipments in the continental United States and Canada, full freight will be allowed on orders of \$1,200 list or more. See Mobile Home & RV Supplies list price sheet for exceptions. We reserve the right to ship the most economical way.

**Foreign Shipments** (including Alaska & Hawaii) will be allowed full freight, according to the conditions listed above, only to the embarkation point in the continental United States.

**Shipping Policy:** It will be our policy to ship all orders for standard items within two working days after we receive the order. This policy will be followed unless delays are caused by circumstances beyond our control.

**Claims, Shortages and Damage:** Any claims for shortages or goods damaged in transit must be made within 10 days after receipt of merchandise. All claims should be made to the delivering carrier by the consignee.

**Prices, Designs and Quotations:** Prices, designs and dimensions of products are subject to change without notice. Quotations, unless otherwise stated, are for immediate acceptance, and prices quoted are based on the seller's standard tolerances of materials. We reserve the right to invoice all merchandise at prices in effect at the time of shipment.

**Cancellations:** Orders covering special merchandise are not subject to cancellation without our written permission. Purchaser subject to expense incurred by cancellation of special orders.

**Limited Warranty:** All Watco bath wastes and accessories carry a limited five-year (5) warranty against defects in material and workmanship.

Watco will repair, replace, or issue credit (at our option) for defective goods that are returned for inspection and found defective. WE WILL NOT BE RESPONSIBLE FOR ANY LABOR CHARGES OR ANY LOSS, INJURY OR DAMAGES WHATSOEVER, INCLUDING INCIDENTAL OR CONSEQUENTIAL DAMAGES.

**Returned Merchandise:** Written permission must be obtained from a WATCO representative prior to the return of ANY material. Return of non-defective material with Chrome finish is subject to a minimum 25% restocking charge, plus re-boxing charges. Other finishes and special lengths are subject to a minimum of 50% restocking charge, plus re-boxing charges. Defective material is subject to the limited warranty stated above. Credit will NOT be issued for material received at Watco in non-resalable condition or obsolete merchandise.

# TechNotes

## SCHEDULE 40 OPTIONS

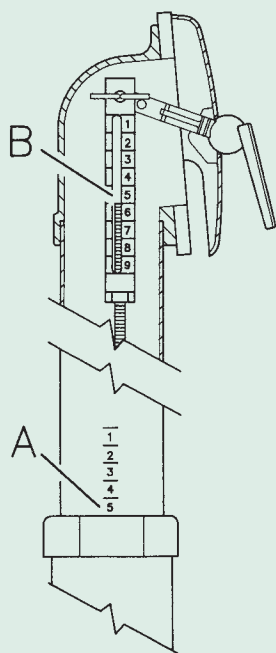
		List
2-Hole Overflow Elbow and Faceplate	2H	N/C
Add Adapter Bar and Star Nut	11	2.65
Condensate Adapter included on bath waste	CD	4.50
Drain Extension, ABS	D(length) per inch:	0.45
Drain Extension, PVC (Advise length from center line of drain elbow to center line of tee.)	D(length) per inch:	0.45
Innovator® Sch40 Drains without any testing	LMT	<2.00>
Innovator® Overflow Thread Extender Factory-installed. (Extends overflow elbow from 11/4" to 13/4")	OEX	4.90
Metal Stopper for Lift and Turn	MS	3.35
Metal Stopper for PRESFLO®	MS	5.05
No Tee	NTEE	<4.00>
No Tee or Pipe	13	<5.05>
Overflow Extension, ABS	EX(length) per inch:	0.45
Overflow Extension, PVC (Advise length from center line of overflow elbow to center line of tee.)	EX(length) per inch:	0.45
"PUSH" etched both sides of PRESFLO® disk	E	10.95
Sanitary Tee added to a Half Kit	T	2.50
Test Cap (#11114), no membrane (Innovator®)	TC	4.65
Test Kit (600's) using 2-hole overflow elbow with adapter bar, thumb screw, and OE test plug, PVC only	TK	4.20
Test Kit (for 600 Series), plastic, includes #11575 and #11594 test plugs	T6	3.75

## TUBULAR PLASTIC OPTIONS

		List
Brass Drop Cylinder (Plastic Trip Levers only)	BD	45.25
Condensate Drain (Tubular Plastic)	CD	4.8
Drain Extension (Advise length from center line of drain elbow to center line of tee.)	D(length)	6.4
Innovator® Drains without any testing	LTK	<3.70>
Metal Stopper for Lift and Turn	MS	3.35
Metal Stopper for PRESFLO®	MS	5.05
Overflow Extension (Advise length from center line of overflow elbow to center line of tee.)	EX(length)	11.75
"PUSH" etched both sides of PRESFLO® disk	E	10.95
Removable Tailpiece (Non-Trip Lever) and "O"-Ring Seal	RT2	3.35
Removable Tailpiece (Trip Lever only)	RT1	3.95

## QUICK ADJUST® Bath Wastes

### QUICK ADJUST® Installation



A Establish rough-in length at overflow elbow scale.

B Adjust threaded-rod end on the linkage clevis until the number matches the number on the overflow elbow scale.

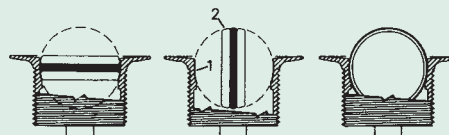
#### NOTE:

Typical installation for:  
 Model 500-TQ (ABS or PVC)  
 Model 501-TQ (17ga Brass)  
 Model 502-TQ (20ga Brass)

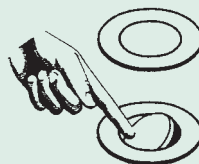


## PRESFLO® Bath Wastes

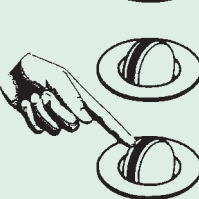
### How PRESFLO® Works



A rounded channel [1] is included in the upper part of the strainer body which is compatible with the rounded edges [2] of the PRESFLO® stopper. When the stopper edge is pressed to open, the rounded edges on both sides fit into the rounded channel in the strainer body, forming an operating axis. This happens no matter where you press down on the circular stopper edge.



Closed portion.



Press any edge to open.



Stopper disc, with Buna-N-Seal, in open position.

Press top edge toward side to close.



To remove the PRESFLO® stopper from the strainer body, attach the furnished suction cup and pull straight up.



# TechNotes

Tubular Brass options		List
Brass Ferrules (Includes 2)	F	4.90
Brass Half Ferrules (Includes 2)	HF	3.60
Condensate Drain (Brass Tubular)	CD2	7.00
Condensate Drain for Innovator Brass	CD3	7.00
Extension - Drain, 17 Gauge D(length)	D(length)	per inch: 1.75
Extension - Drain, 20 Gauge D(length) (Advise length from center line of drain elbow to center line of tee.)	D(length)	per inch: 1.65
Extension - Overflow, 17 Gauge	EX(length)	per inch: 1.75
Extension - Overflow, 20 Gauge (Advise length from center line of overflow elbow to center line of tee.)	EX(length)	per inch: 1.65
Extension - Tailpiece, 17 Gauge	TX(length)	per inch: 1.75
Extension - Tailpiece, 20 Gauge	TX(length)	per inch: 1.65
Innovator® Drains without any testing	LTK	<3.70>
Metal Stopper for Lift and Turn	MS	3.35
Metal Stopper for PRESFLO®	MS	5.05
"PUSH" etched both sides of PRESFLO® disk	E	10.95

## Understanding

### RI's and SF's...

A Complete Bath Waste is made up of both the RI (Rough-In) and the SF (Stopper/Faceplate).

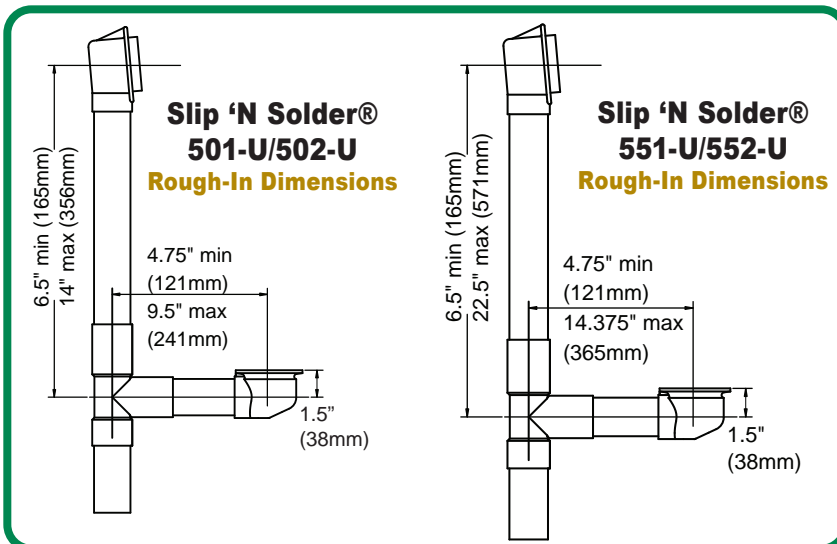
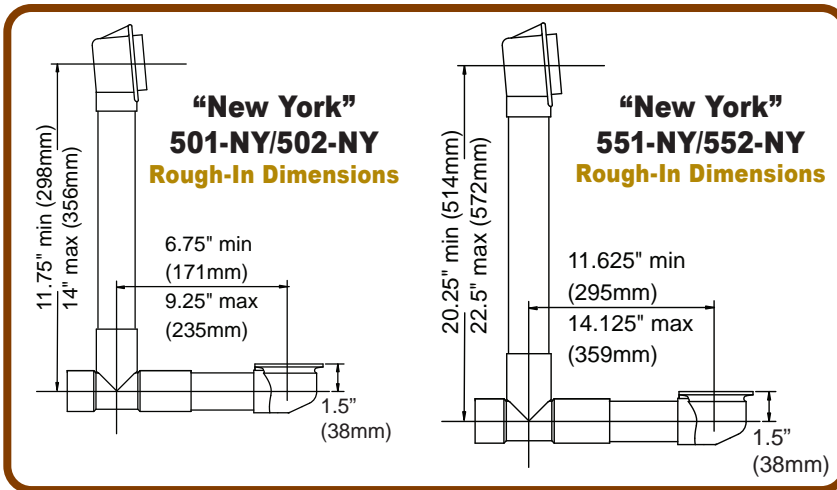
Purchase a Complete Bath Waste if installation will be completed in one operation.

A Rough-In (RI) has all the bath waste parts that go behind and below the tub AND has the Strainer Body. It does NOT have the faceplate or stopper assembly.

Purchase a Rough-In (RI) when the faceplate and stopper will be installed later.

A Stopper/Faceplate (SF) is NOT a trim kit. It usually contains only the stopper and faceplate and is to be installed after installation of the roughed-in part of the bath waste has been completed.

Purchase a Stopper/Faceplate (SF) to complete Rough-In.



## Removing Stoppers from Strainer Bodies

Lift and Turn & PUSH PULL® Stoppers:

1. Close stopper.
2. With cloth protecting knob and stopper, use pliers/wrench to turn knob counter-clockwise to unscrew from stopper.
3. Using flat-head screw driver in slot in top of exposed brass pin, turn pin counter-clockwise to remove pin from crossbars in strainer body.

Standard Foot Actuated Stoppers:

1. Remove flat cap of stopper by turning it counter-clockwise.
2. Use flat-head screwdriver to unscrew pin from crossbars in strainer body. **DO NOT DISASSEMBLE REST OF STOPPER.**

Universal NuFit® Foot Actuated Stoppers:

**DO NOT REMOVE FOOT ACTUATED STOPPER FROM BODY OF PRODUCT. CONTACT THE FACTORY.**

## Converting from Coarse-Thread Trip Lever Bath Wastes to:

- Lift and Turn Stopper: Kit 58290-\_\_\_ pg 50.
- Push Pull® Stopper: Kit 38290-\_\_\_ pg 50.
- PresFlo® Stopper: Kit 38250-\_\_\_ pg 50.
- Foot Actuated Stopper: Kit 68290-\_\_\_ pg 50.

**Call WATCO Representative for assistance.**

## **Representative Questions?**

**Call Watco For Assistance**

**1-800-821-8576**

Sales@watcomfg.com



**WATCO MANUFACTURING COMPANY**

1220 South Powell Road • Independence, MO 64057-2724

PHONE: 816-796-3900 • 800-821-8576 • FAX: 816-796-0875 • 800-399-2826

EMAIL: watcosales@watcomfg.com • WEBSITE: www.watcomfg.com

*A Division of WCM Industries, Inc.*