



H-x267 - Pro-Pal T-Valve

H-x267W Series

Pro-Pal T-Valve

Full Port Forged DZR Brass Ball Valve
w/ Integrated Tee Fitting,
Adjustable Packing Gland,
& Reversible Handle

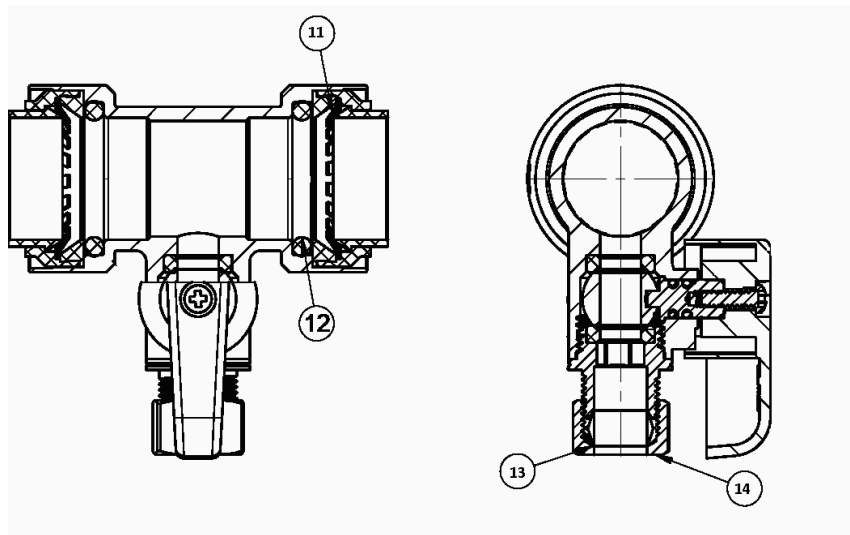
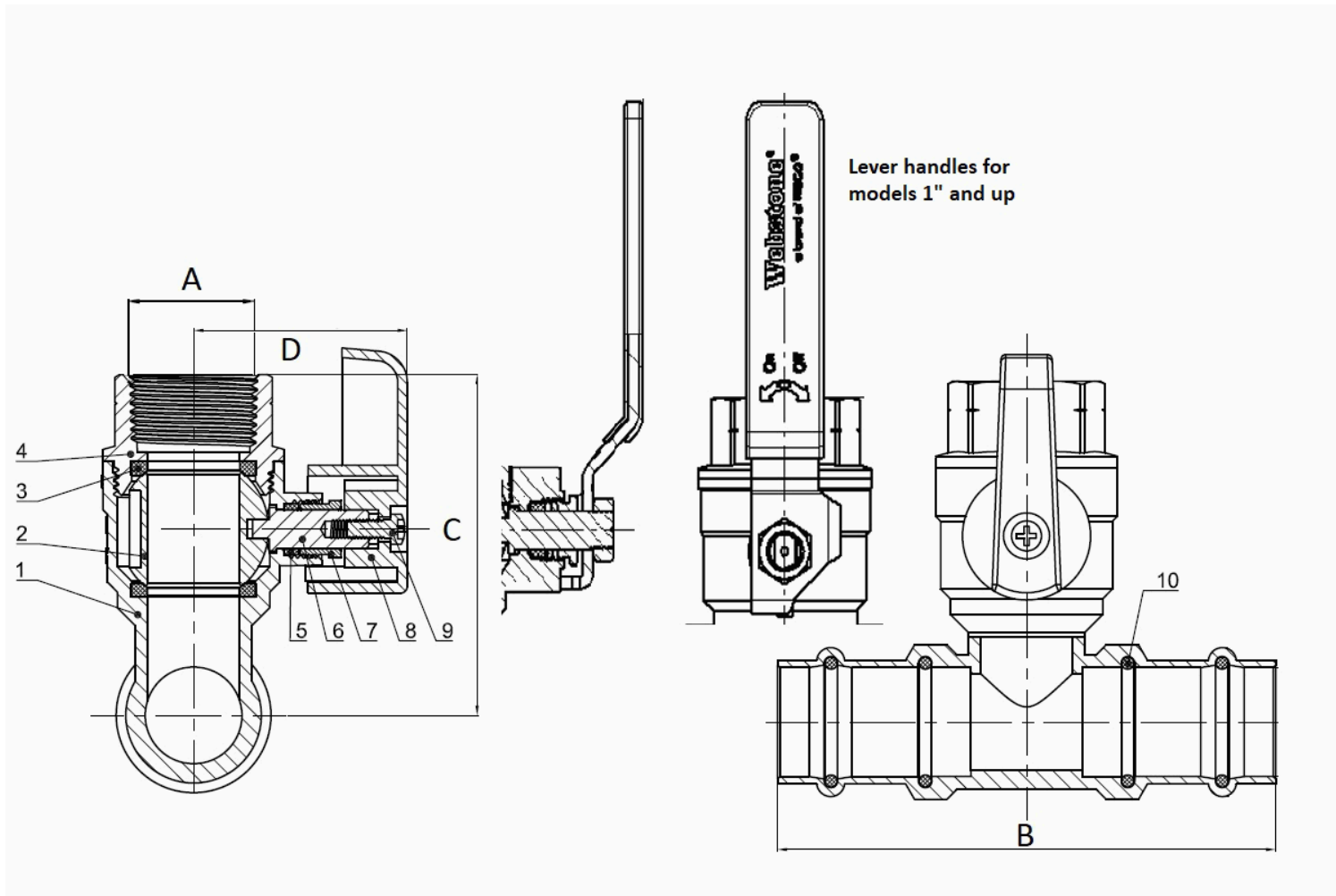
Certifications

Certified to NSF/ANSI/CAN 61 & 372



Size (in)	Item#	Weight (lbs)	CTN Qty	Case Qty	A	B	C	D		
FIP Valve x Press Run									250 PSI CWP Max	250°F Max
1/2"	H-82672W	0.55	4	40	0.50	3.35	2.30	1.58		
1/2" x 3/4"	H-82672W-T34	0.93	4	16	0.75	4.06	2.70	1.74		
3/4"	H-82673W	0.95	4	16	0.75	4.06	2.78	1.74		
3/4" x 1/2"	H-82673W-T12	0.82	4	40	0.75	3.66	2.56	1.75		
1"	H-82674W	1.56	2	16	1.00	4.33	2.94	2.52		
1" x 1 1/4"	H-82674W-T114	1.79	2	16	1.00	4.57	3.06	2.52		
1 1/4"	H-82675W	2.40	2	16	1.25	4.84	3.64	2.99		
G-Thread Valve x G-Thread Run									200 PSI CWP Max	200°F Max
1"	H-G7674W	1.76	1	12	1.00	3.54	3.00	2.52		
1" x 1 1/2"	H-G7674W-T112	2.38	1	12	1.00	3.94	3.28	2.52		
1 1/2"	H-G7676W	3.59	1	8	1.50	4.72	4.13	3.19		
OD Compression Valve x F1807 PEX Run									125 PSI CWP Max	150°F Max
3/8" x 1/2"	H-10671W-T12	0.26	8	96	0.38	2.36	1.76	1.08		
3/8" x 3/4"	H-10671W-T34	0.25	8	96	0.38	2.36	1.83	1.08		
OD Compression Valve x F1960 PEX Run									125 PSI CWP Max	150°F Max
3/8" x 1/2"	H-30671W-T12	0.28	8	96	0.38	2.46	1.77	1.08		
3/8" x 3/4"	H-30671W-T34	0.36	6	48	0.38	2.93	1.87	1.08		
OD Compression Valve x Press Run									125 PSI CWP Max	150°F Max
1/4" x 1/2"	H-80670W-T12	0.40	8	96	0.25	3.25	1.98	1.08		
1/4" x 3/4"	H-80670W-T34	0.52	6	48	0.25	3.64	2.11	1.08		
3/8" x 1/2"	H-80671W-T12	0.38	8	96	0.38	3.25	1.89	1.08		
3/8" x 3/4"	H-80671W-T34	0.50	6	48	0.38	3.64	2.01	1.08		
OD Compression Valve x Push Run									125 PSI CWP Max	150°F Max
1/4" x 1/2"	H-60670W-T12	0.30	8	96	0.25	2.35	2.00	1.08		
1/4" x 3/4"	H-60670W-T34	0.39	6	48	0.25	2.50	2.09	1.08		
3/8" x 1/2"	H-60671W-T12	0.30	8	96	0.38	2.35	1.87	1.08		
3/8" x 3/4"	H-60671W-T34	0.38	6	48	0.38	2.50	2.00	1.08		





NO.	DESCRIPTION	MATERIAL
1	Body	Lead-Free DZR Brass
2	Ball	Brass HCP
3	Seat	PTFE
4	Cap	Lead-Free DZR Brass
5	Packing	PTFE
6	Stem	Lead-Free DZR Brass
7	Packing Gland	Brass
8	Handle	Aluminum
9	Screw	Stainless steel
10	O-ring	EPDM
11	Grip Ring	Stainless Steel
12	O-ring	EPDM
13	Ferrule	Brass
14	Hex nut	Brass

Specifications: Compression models: "A" Dimension is nominal OD; all with reduced port; handles for press/push models are not reversible. Designed for use with water, oil, glycol mix in residential or commercial plumbing and heating systems. Threaded (NPT) ends comply with ANSI B1.20.1. EPDM o-rings for press ends.

