

Icon SH6036 AcrylX™ Alcove One-Piece Shower

Model number:

141497-000-002-000

Dimensions: 60" x 36" x 75.5"

Installation: Alcove

Material: AcrylX™



Standard Features:

- Made of AcrylX applied acrylic for improved durability
- 1-Piece construction for reliable water containment
- Optional teak bench available
- Center drain configuration
- Ample shelf capacity

Product characteristics:

- One-Piece Unit
- AcrylX™
- Modern minimalist design

Code Compliant:

CSA
FHA

Standard Colors:



White

Certifications

AKER products adhere to one or more of the following certifications:



Icon SH6036 AcryIX™ Alcove One-Piece Shower

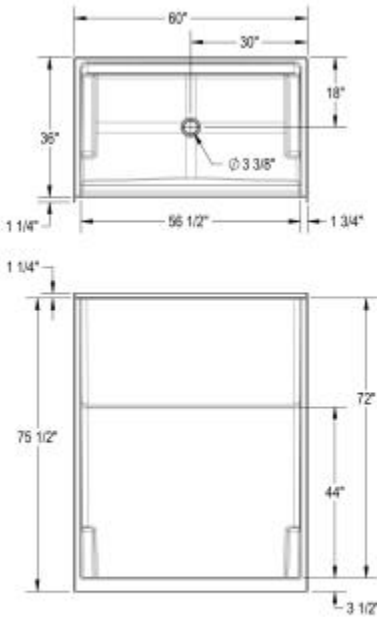
Model number:

141497-000-002-000

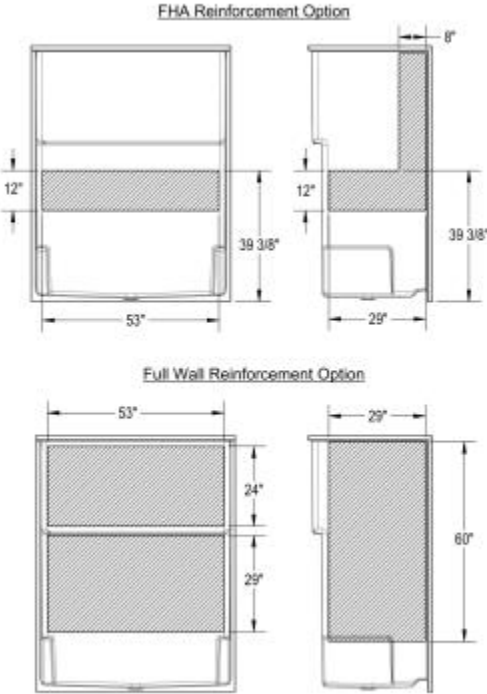
Dimensions: 60" x 36" x 75.5"

Installation: Alcove

Material: AcryIX™



All dimensions are approximate. Structure measurements must be verified against the unit to ensure proper fit.



Dimensions

60 x 36 x 75 1/2 In.
(1524 x 914 x 1918 mm)

Shape

Rectangular

Pieces

1

Drain location:

Center

Project: _____

Contractor: _____

Representative: _____

Date: _____

Tel: _____

Notes: _____

