

NS-48 alcove shower

Model number:

141026

Dimensions: 48" x 35" x 72"

Installation: Alcove

Material: AcrylX™



Standard Features:

- One-piece shower with AcrylX™ finish
- Built-in wide corner shelves
- Center drain
- Textured floor
- Optional unique feature: Reinforced walls

Product characteristics:

- One-Piece Unit
- Integrated Shelving
- Textured Floor

Warranty:

Lifetime limited

Standard colors:



White (002)



Bone (004)



Biscuit (007)

Certifications

ABG products adhere to one or more of the following certifications:



Recommended doors (Visit our website for a complete list of our recommended doors)

Description	No
138296	Triple Plus Sliding Shower Door 42 ½-44 ½ x 66 in.

Options (Visit our website for a complete list of our options)

No	Description
<input type="checkbox"/> OPT 10189	Three wall reinforcement for future grab installation
<input type="checkbox"/> OPT 20212-B	Back Wall reinforcement (one wall) for future grab bar installation
<input type="checkbox"/> OPT 20212-L	Left Wall reinforcement (one wall) for future grab bar installation
<input type="checkbox"/> OPT 20212-R	Right Wall reinforcement (one wall) for future grab bar installation

NS-48 alcove shower

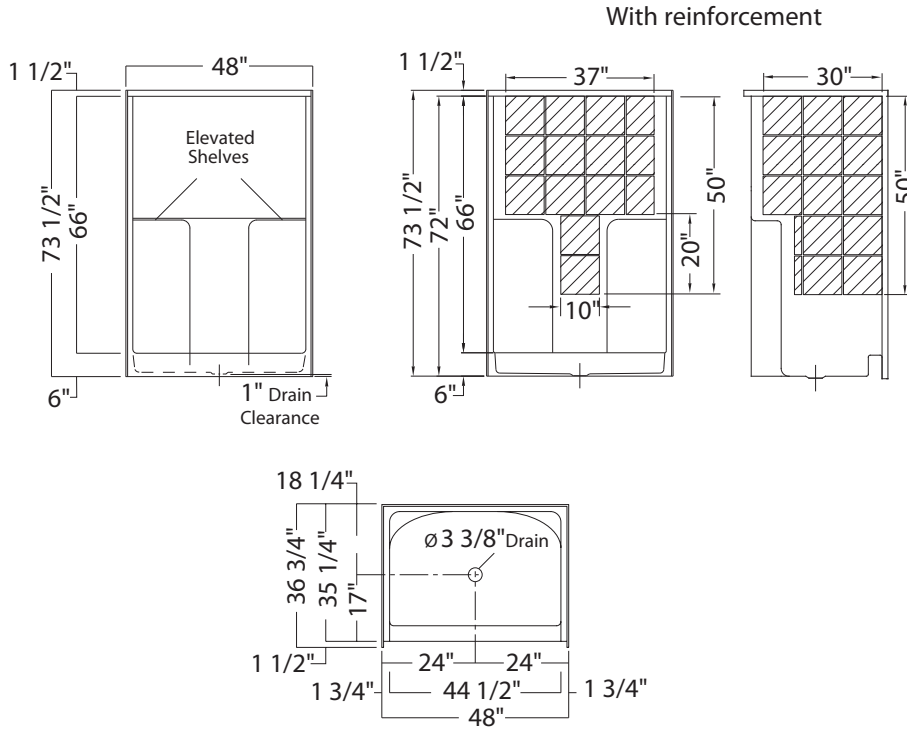
Model number:

141026

Dimensions: 48" x 35" x 72"

Installation: Alcove

Material: AcryIX™



Dimensions:

48 x 35 1/4 x 72 in.

Weight:

107 lbs -

Shape:

Rectangular

Pieces:

1

Drain location:

No seat, center drain

All dimensions are approximate. Structure measurements must be verified against the unit to ensure proper fit.

Project:

Contractor:

Representative:

Date:

Tel:

Notes: