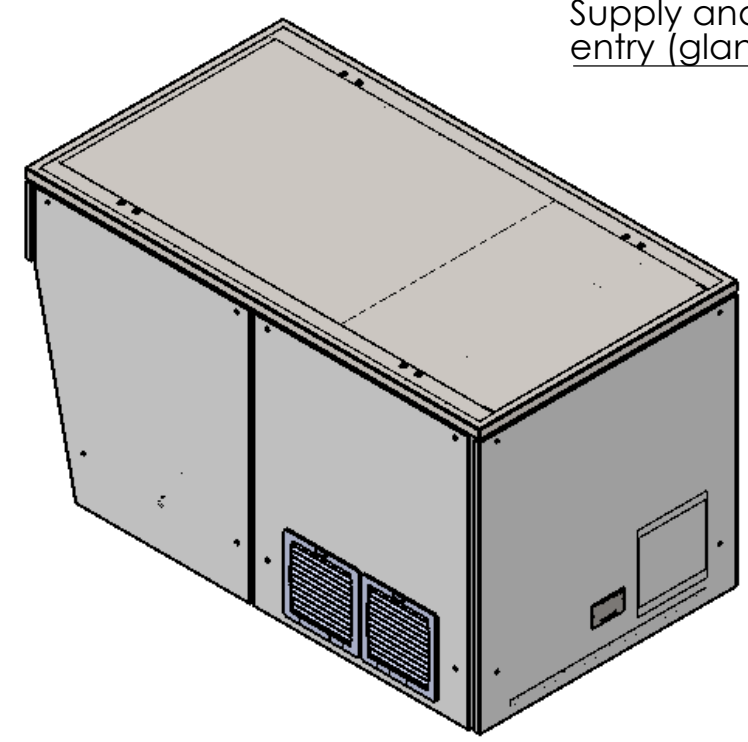


8x M12 threaded holes for fixation.
(Symmetrically placed)



Distributed By:
Mark C. Pope Associates, Inc.
4910 Martin Court
Smyrna, GA 30082
800-299-2999
info@markcpeope.com

		Note: Weight with cable: 700kg		Page: 1/1	
		Type: 3GWC-200/XXX		Title: Power Coil - Bridge mounted	
Drawn: 20.03.15 - LSc	Approved: LSc	Scale:	Revised:	Rev.: -	Drg.no.: 177.400