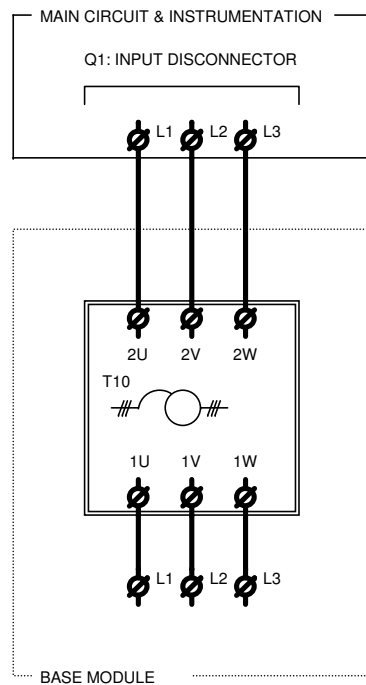
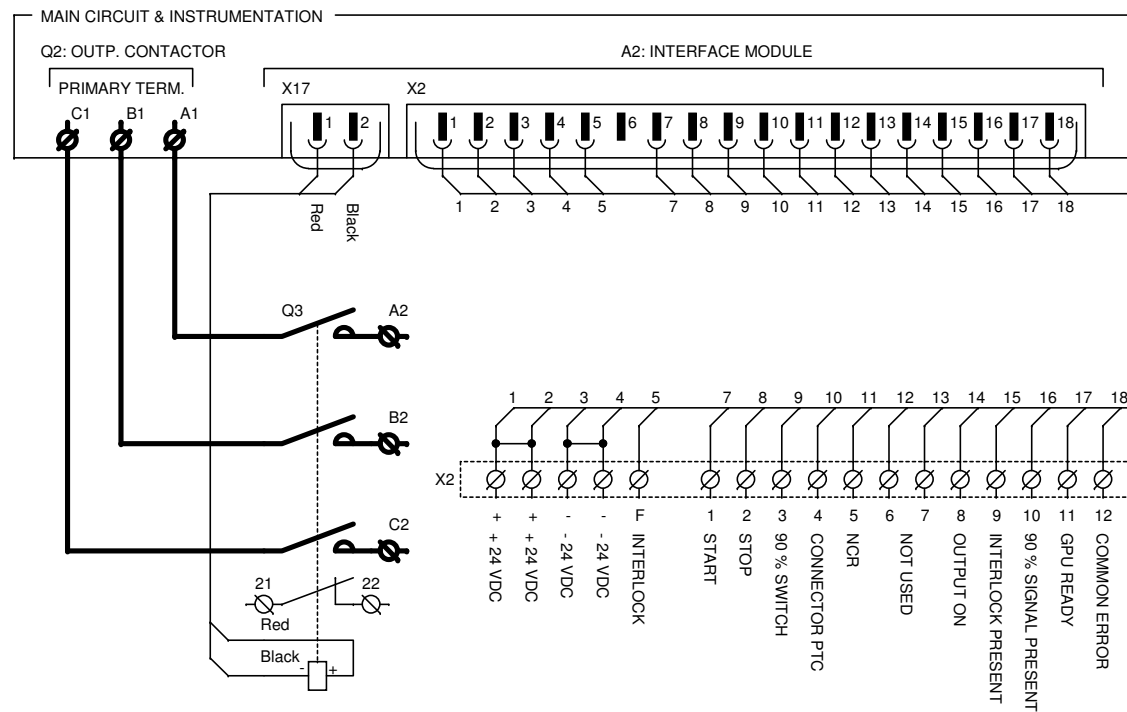


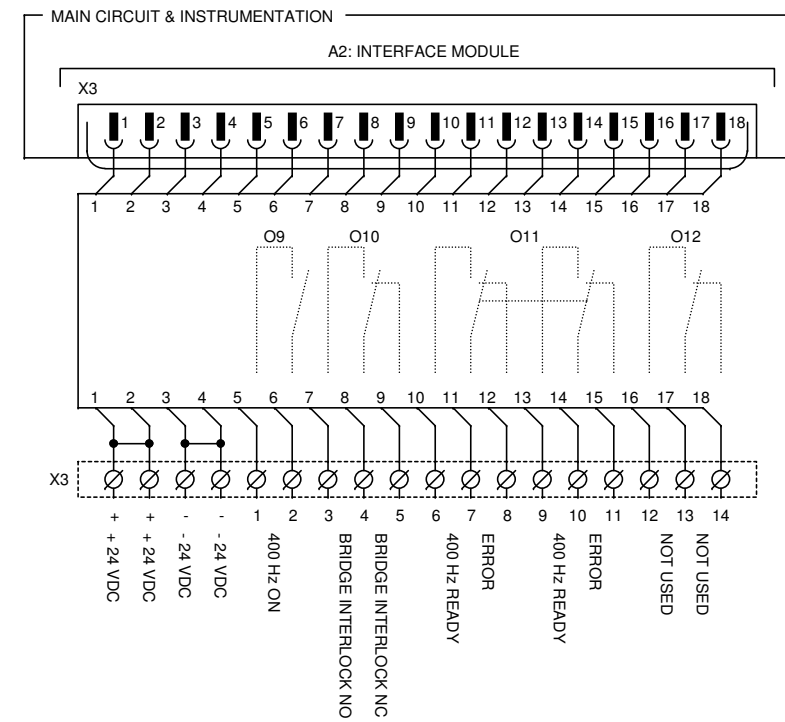
**OPTION 578.801 & 578.802:
INPUT AUTOTRANSFORMER**



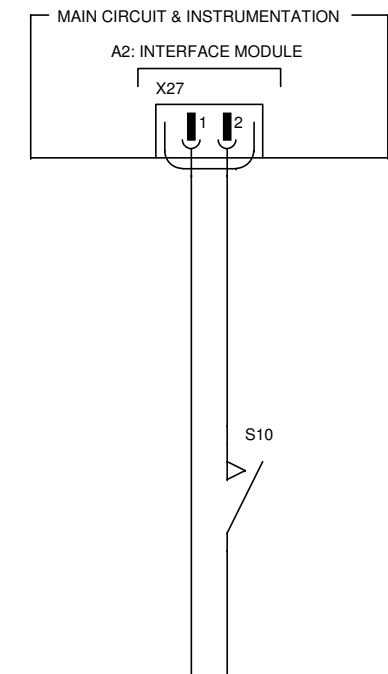
**OPTION 578.807 & 578.828
ADDITIONAL OUTPUT CONTACTOR**



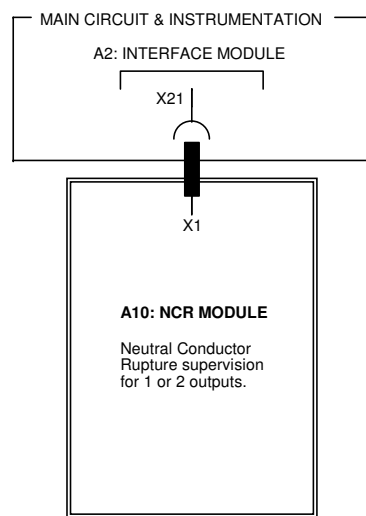
**OPTION 578.808:
DRY CONTACTS**



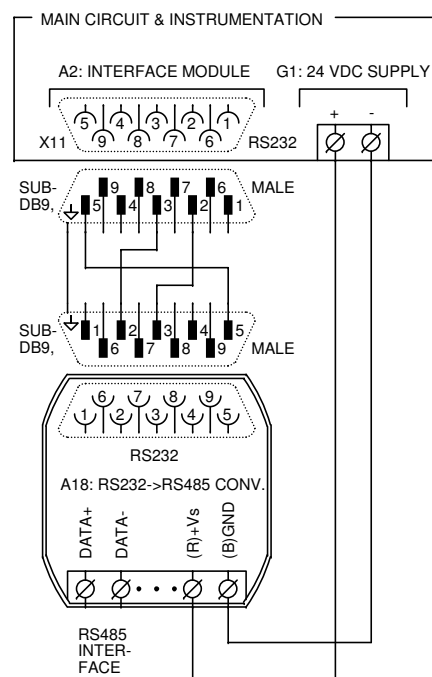
**OPTION 578.809:
DOOR SWITCH**



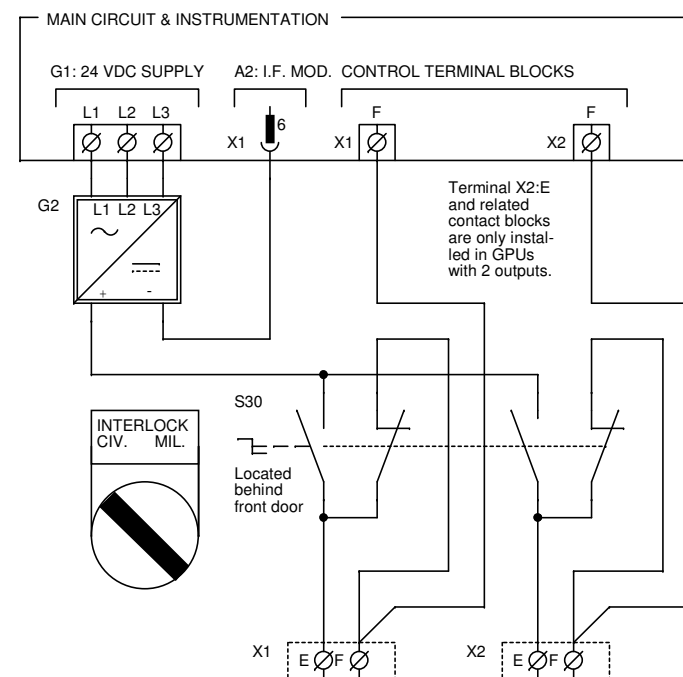
**OPTION 578.810:
NEUTRAL CONDUCTOR RUPTURE**



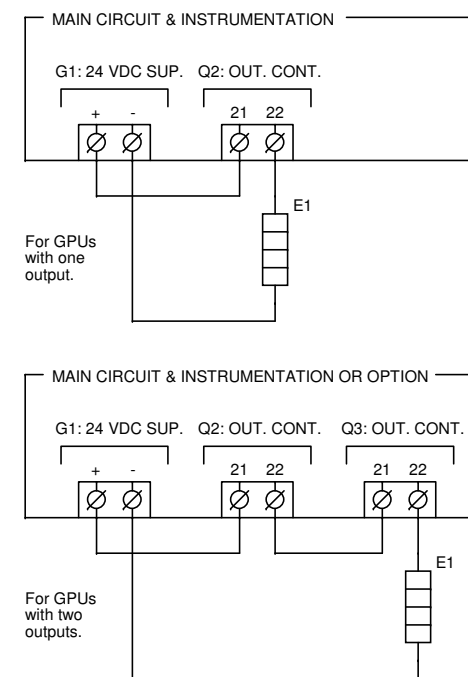
**OPTION 578.815:
RS485 INTERFACE**



**OPTION 578.817:
MILITARY INTERLOCK**



**OPTION 578.829:
ANTI-CONDENSATION HEATER**



Distributed By:
Mark C. Pope Associates, Inc.
4910 Martin Court
Smyrna, GA 30082
800-299-2999, info@markcpepe.com

				400 Hz Ground Power Unit	
Type: 2400-Series, Options			Title: Option Diagram		Page: 1 (1)
Drawn: 25.10.13	Approved: RA	Scale: A3	Revised: 190914/MJ	Rev.: D	Drq.no.: 478.801