

### ⚠ WARNING

- To protect bystanders and the service technician(s), shut vehicle off, remove the key, place the vehicle in gear and apply the parking brake to prevent vehicle from rolling.
- Do not attempt this procedure if you do not have proper tools, training and facilities.

### NOTICE

- To clean the windshield, rinse with lukewarm water; wash gently with mild soap or detergent and lukewarm water, using a soft cloth or sponge. Do not scrub or use brushes or squeegees.
- Rinse again. Dry with soft cloth or moist cellulose sponge to prevent water spotting.

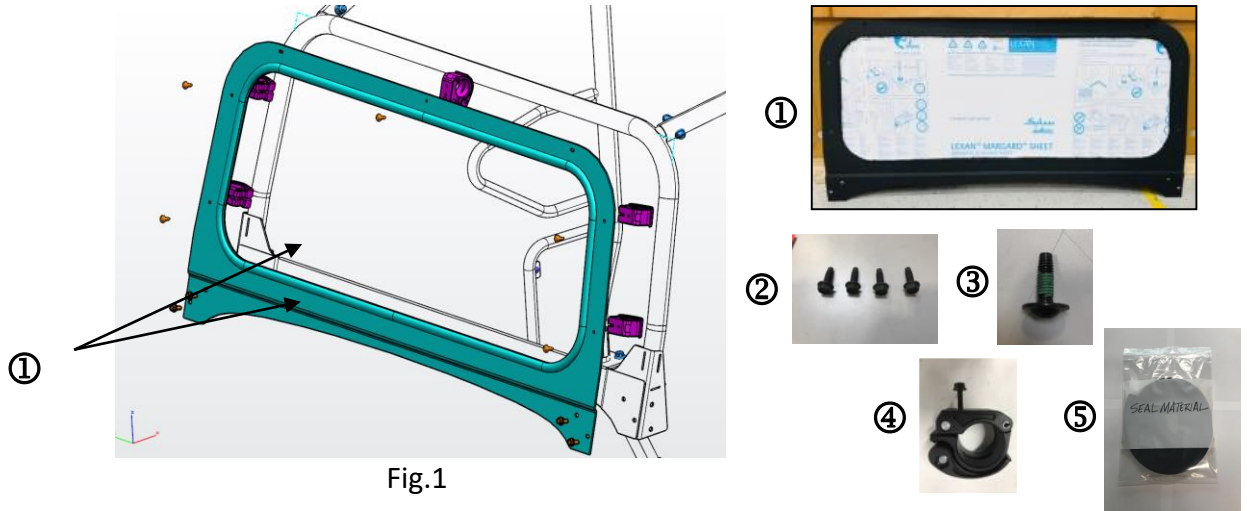


Fig.1

|   |          |                                  |   |          |                          |
|---|----------|----------------------------------|---|----------|--------------------------|
| ① | Qty. (1) | Windshield Frame and Window      | ④ | Qty. (5) | Cam clamps               |
| ② | Qty. (4) | 8mm lower windshield frame bolts | ⑤ | Qty. (1) | Seal material – 8ft roll |
| ③ | Qty. (5) | 6mm torx screws                  |   |          |                          |

## Tools Required

|                    |                   |                |   |
|--------------------|-------------------|----------------|---|
| Safety Eyewear<br> | Torque wrench<br> | Wrench N/R<br> | M14 3/8" deep socket and 1/4" PH-3 Torx extension & ratchet<br> |
|--------------------|-------------------|----------------|---|

**Tighten all fasteners to the torque spec below:**

**M8 bolts** 24.5 ± 3.5 N•m (18 ± 3 lbf•ft)  
**M6 bolts** 7.5 ± 1 N•m (66 ± 9 lbf•in)



# Installation Instructions ROXOR Windshield Kit

Part Number:  
0111AUA00071N

## NOTICE

- To clean the windshield, rinse with lukewarm water; wash gently with mild soap or detergent and lukewarm water, using a soft cloth or sponge. Do not scrub or use brushes or squeegees.
- Rinse again. Dry with soft cloth or moist cellulose sponge to prevent water spotting.

Bag of Seal Material



Fig.2



Fig.3

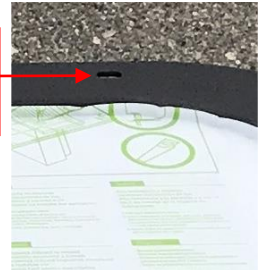


Fig.2

1. Remove the 8' roll of seal material from bag (**FIG.2**)
2. Using a sharp scissors, cut the seals to the correct lengths as follows: Cut # 3 and # 6 to 750mm ea. Cut # 2 and # 7 to 240mm ea. Cut # 1 and # 8 to 170mm ea. and Cut # 4 and #5 to 25mm ea. (**FIG.2**)
3. Start installing seals by removing the paper carrier on the back of seal #1 seal. Butt the edge tight against the clamp inboard of the window frame (1mm) working it down to the window frame step. Now butt seal #2 tight against the top edge of the first clamp and work it up tight against the bottom edge of clamp 2. Next, butt seal #3 tight against the top edge of clamp 2 working it along the edge to the top edge of the window frame and butting it tight against top center clamp. Then, take the #4 short seal and cover the optional window frame slot hole. Repeat steps for seals 5, 6, 7 and 8. (**FIG.3**)
4. **Now proceed to (Fig. 4)**

## ⚠WARNING

Make sure all fasteners are torqued and properly tightened. Failure to do so could result in dislodged windshield and/or loss of control of the vehicle.

### NOTICE

- To clean the windshield, rinse with lukewarm water; wash gently with mild soap or detergent and lukewarm water, using a soft cloth or sponge. Do not scrub or use brushes or squeegees.
- Rinse again. Dry with soft cloth or moist cellulose sponge to prevent water spotting.



Fig.4

### ⚠WARNING

1. In (Fig 4) remove the lower ROPS bar cross member and the (4), 8mm bolts using a 14 mm 3/8 drive deep well socket. Put bolts off to the side, you will use them again in Step 2 below.
2. This is a 2 person step. First open the 5 cam clamps. With one person on on each side of the windshield frame, align the lower bolt holes up to the weld nuts on the lower ROPS bar frame. Now use the 8mm bolts, from above, to attach the lower windshield frame keeping them finger tight. Once all the bolts are attached and snug, start clamping the cam clamps, beginning with the top center cam clamp and working your way around both sides of the windshield making sure seals are making good contact with the ROPS. Once everything is aligned, start torquing the (4) 8mm lower windshield frame bolts to torque spec,  $24.5 \pm 3.5 \text{ Nm}$  and the (5) M6 torx bolts to  $7.5 \pm 1 \text{ N}\cdot\text{m}$  ( $66 \pm 9 \text{ lbf}\cdot\text{in}$ )
3. Now align the 5 cam clamps with the holes in the windshield frame and hand tighten the (5) 6mm torx bolts (FIG 5). Once everything is aligned, tighten the cam clamps and torque the bolts to the specs on page one.  $7.5 \pm 1 \text{ Nm}$
4. **TIGHTEN FASTNERS TO SPECIFICATION USING TORQUE WRENCH (SEE TORQUE SPECS ON PAGE ONE).**

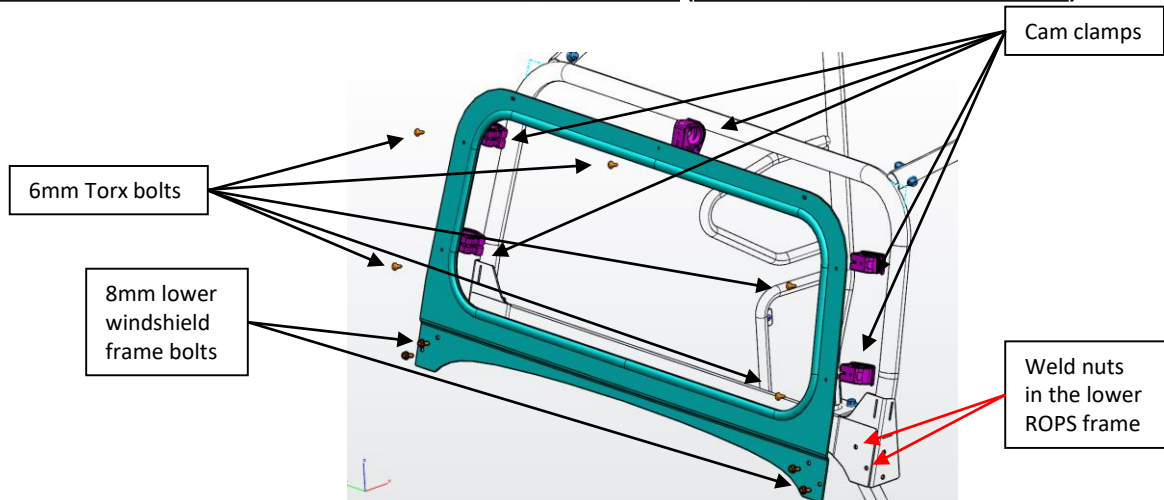


Fig. 5

### ⚠WARNING

Make sure all fasteners are torqued and properly tightened. Failure to do so could result in dislodged windshield and/or loss of control of the vehicle.

|  |              |            |               |   |
|--|--------------|------------|---------------|---|
| 2018 Roxoroffroad.com<br>© 2018 Mahindra Vehicle<br>Sales and Service, Inc | Sheet 3 of 3 | 08/14/2018 | 0003AUA00570N | All Rights Reserved<br>ROXOR is a registered trademark of<br>Mahindra Vehicle Sales and Service, Inc. |
|--|--------------|------------|---------------|---|