

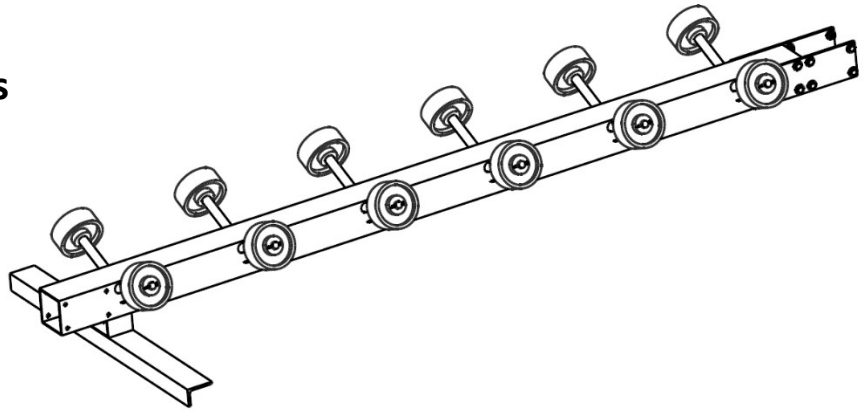
Extension Kit 7.5 (M4)

Assembly & Use Instructions

p/n: 000008

Lakeside Recreation LLC

www.lakesiderecreation.com



IMPORTANT NOTE ABOUT STAINLESS FASTENERS

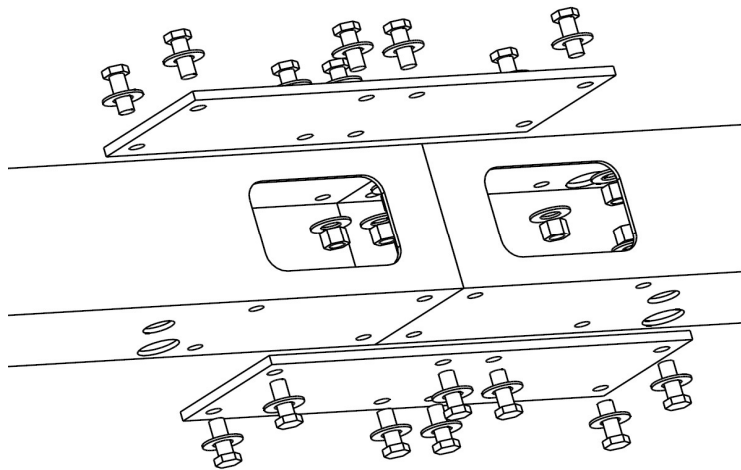
Stainless fasteners may gall and seize up (cold weld) if assembled without lubrication. Be sure to apply a dab of the supplied anti-seize compound to the threads of each stainless bolt prior to assembling the nut.

Assembly

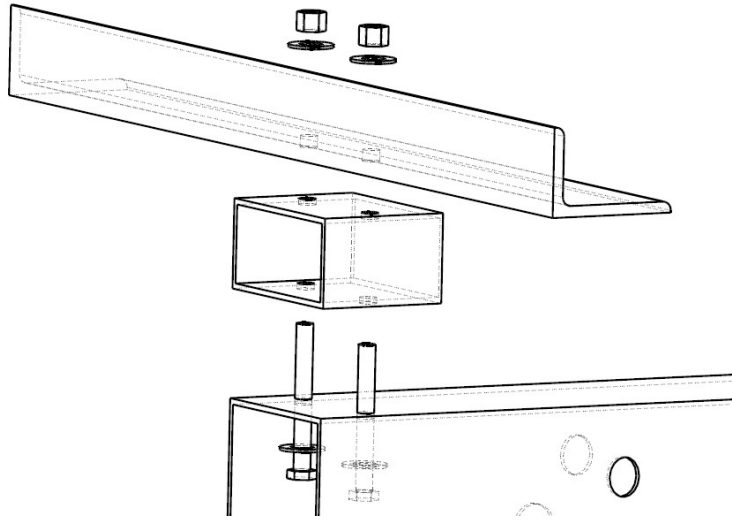
If the Shore Ramp is not yet assembled, reference these instructions to incorporate the Extension Beam in between the Keel Beam and Front beam as you assemble the Shore Ramp.

If the Shore Ramp is already assembled, start by removing the 8 bolts on the Keel Beam (rearward end) of the two Connector Plates that attach the Keel Beam to the Front Beam. The Extension beam will be inserted between these two sections. Retain the fasteners for re-use.

1. Unpack the Extension Kit box (and the Shore Ramp box) and confirm that all the parts are present according to the parts lists.
2. Lay the Keel Beam, Extension beam, and Front Beam on a flat surface end to end, with the bottom access openings facing up. Assemble them together using the Connector Plates, and 32 sets of 1.00" 3/8-16 bolts, washers, and nuts. Note that 16 sets of bolts, washers, and nuts are supplied with the Shore Ramp Kit, and 16 more with the Extension Kit. Get all the bolts inserted and the nuts started before tightening any of them. Tighten all 32 sets of fasteners firmly.



3. Assemble the added Middle Foot and Spacer to the Extension Beam towards the middle of the long length of connected beams using 2 sets of 3.25" 3/8-16 bolts, washers, and nuts.



Install the Longer Winch Strap

The standard Shore Ramp comes with a 20' winch strap. The Extended Shore Ramp is about 22' in length and requires a longer strap. Remove the 20' strap from the winch and replace it with the 25' strap provided in this kit.

Installation Notes for Extended Shore Ramp

The Shore Ramp PWC-50 is intended for the storage of personal watercraft on gently sloping firm sand, soil, or turf.

The Extended Shore Ramp is not intended nor structurally strong enough to support the weight of a PWC without being supported by the added middle foot. It may be necessary to grade the underlying soil/sand so as to provide a straight slope along the length of the ramp. This may involve either building up the grade under the middle of the Extended Shore Ramp, or removing any soil that is humped up too high under the middle of the ramp.

If using the Extended Shore Ramp to span from the water to the top of a low sea wall, rip-rap, or dock, it will be necessary to build a structural support for the middle of the ramp. Any such support must be sturdy, stable, and durable. In such cases, it is recommended that the Shore Ramp be fastened to the structure using bolts installed through holes drilled near the end of the Front Foot and Middle Foot.

IMPORTANT: The Extended Shore Ramp MUST be supported in the middle – it is not strong enough nor intended to span its entire length unsupported and hold the weight of a PWC.

CAUTION: The Extended Shore Ramp MUST be securely supported across the entire width of the added Middle Foot to provide lateral stability so as to avoid the hazard of the PWC tipping to the side.

CAUTION: Do not use the Shore Ramp on loose rock or any unstable ground where it may slide down or tip to the side.

Parts List

Part Number	Qty	Description
100001	12	Wheel, 5 x 2 Polyolefin
200025_A	1	Extension Beam 7.5
200017_A	2	Connector Plate
200010_F	12	Axle Shaft
200005_C	1	Foot
200006_B	1	Spacer
100016	1	Winch Strap 25' X 2"
300001	24	Cotter Pin, 5/32 x 1.25 Stainless
300005	2	Bolt, 3/8-16 x 3.25 Stainless
300007	16	Bolt, 3/8-16 x 1.00 Stainless
300008	18	Nut 3/8-16 Nylock, Stainless, Waxed
300009	36	Washer 3/8 Stainless
300021	1	Anti-Seize Packet
400005	1	Instructions Extension Kit 7.5, Printed
400004	1	Label for Box for Extension Kit 7.5, Printed
300023	1	Shipping Box

One Year Limited Warranty

LAKESIDE RECREATION products are warranted to be free from defects in materials or workmanship for one (1) year from the date of purchase. Within this period we will provide a replacement for any component that fails in normal use. Such replacement will be made at no charge to you, provided that you shall be responsible for any shipping charges and labor for replacement of the component. Replacement products or components may be new or refurbished at the sole discretion of LAKESIDE RECREATION.

This warranty does not apply to: (a) cosmetic damage, such as scratches, nicks, stains and dents; (b) damage or loss caused by accident, abuse, misuse, or other acts of nature or external causes; (c) damage or failure due to improper assembly, improper installation, overloading beyond rated capacity, or use for purposes not intended; (d) damage to a product resulting from modification or alteration. Determination that damage or failure is not due to defects in material or workmanship and is therefore not covered under this warranty shall be at the sole discretion of LAKESIDE RECREATION.

To make a warranty claim, contact LAKESIDE RECREATION via the warranty claim link on www.lakesiderecreation.com and provide a description of the failed component and your contact and shipping information. LAKESIDE RECREATION at its sole discretion may require photographic documentation of the failed component; require the failed component to be returned for inspection; and/or require the failed component to be returned in exchange for the replacement component. Returned components shall become the property of LAKESIDE RECREATION when a replacement component is provided. Please do not return any products or components without prior authorization. LAKESIDE RECREATION shall not be responsible for any shipping charges for any component or product returned to us, nor for any shipping charges to return back to you any component or product.

THE WARRANTIES AND REMEDIES CONTAINED HEREIN ARE EXCLUSIVE AND IN LIEU OF ALL OTHER WARRANTIES EXPRESS, IMPLIED, OR STATUTORY, INCLUDING ANY LIABILITY ARISING UNDER ANY WARRANTY OF MERCHANTABILITY OR FITNESS FOR A PARTICULAR PURPOSE, STATUTORY OR OTHERWISE. Subject to applicable law, in no event shall our liability exceed the purchase price of the product.