



# ES33-12

## SPECIFICATIONS

Nominal Voltage (V) 12V

### Nominal Capacity

20 hour rate ( 1.75A to 10.50V )	35Ah
10 hour rate ( 3.325A to 10.50V )	33.25Ah
5 hour rate ( 5.95A to 10.20V )	29.75Ah
1C ( 35A to 9.60V )	22.17Ah
3C ( 105A to 9.60V )	14Ah

Weight Approx. 23.1Lbs. (10.5kg)

Internal Resistance (at 1KHz) 10 mΩ

Maximum Discharge Current for 5 seconds : 525A

### Operating Temperature Range

Charge	-15°C ( 5°F ) to 40°C (104°F )
Discharge	-15°C ( 5°F ) to 50°C (122°F )
Storage	-15°C ( 5°F ) to 40°C (104°F )

### Charge Retention (shelf life) at 20°C ( 68°F )

1 month	92%
3 months	90%
6 months	80%

### Charging Methods at 25°C ( 77°F )

Cycle Use : Charging Voltage 14.4 to 15.0V  
Maximum Charging Current : 10.5A

Standby Use : Float Charging Voltage 13.50 to 13.80V

### Life expectancy :

Cycle Use : 100% depth of discharge 200 cycles  
80% depth of discharge 225 cycles  
50% depth of discharge 500 cycles

Standby Use : 3-5 years

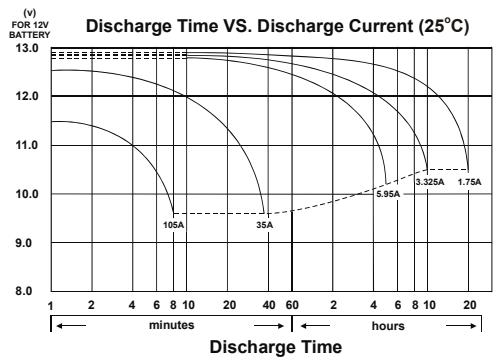
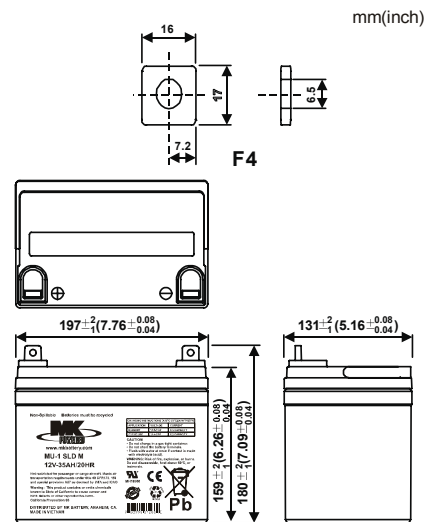
Case Material : ABS  
(Option : 94-HB & 94V-0 Flame Retardant Case Material)

Terminal : F4

## Maintenance-Free Rechargeable Sealed Lead-Acid Battery



## DIMENSIONS



## MK Battery

1631 South Sinclair Street • Anaheim, California 92806

Toll Free: 800-372-9253 • Fax: 714-937-0818 • E-mail: sales@mkbattery.com

