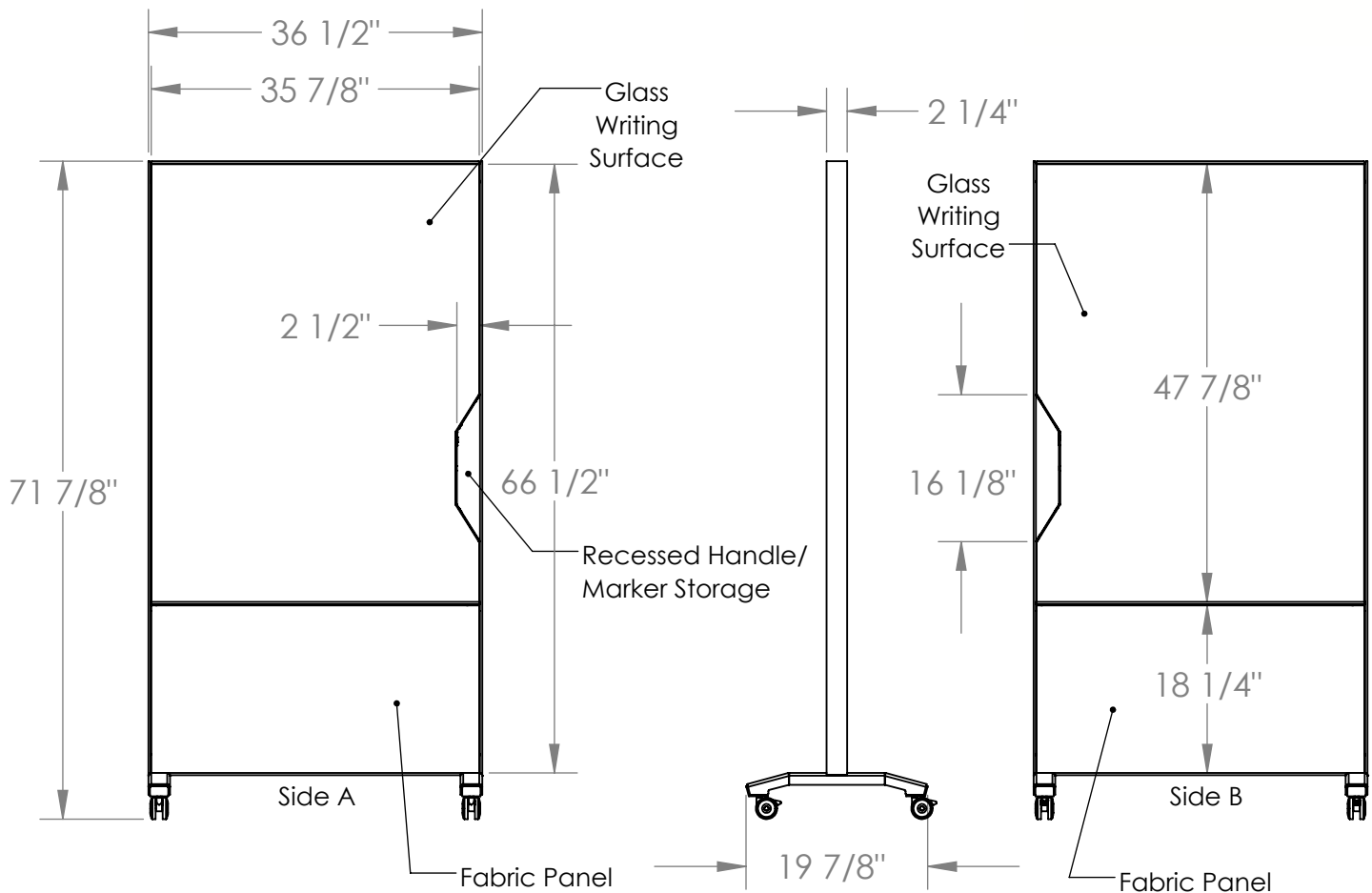


Stroll Mobile Glass Whiteboard / SMG2

Product Specifications



Materials:

- Board Surface: 1/8" thick, tempered low iron glass
- Frame: Powder coated 6061-T5 aluminum with anodized aluminum finish
- Recessed Handle: Powder coated steel with anodized aluminum finish
- Fabric: Maharam Flock fabric 100% polyester, acoustically rated at 0.80 NRC

Features:

- Available in magnetic and non-magnetic
- Available in 13 standard glass colors: Blue, Beige, Black, Denim, Green, Gray, Lilac Gray, Marigold, Peach, Rose, Smoke, White, and Yellow; custom colors and logo printing available
- Available in 6 standard fabric colors: Calm, Roe, Pistachio, High Sea, Raven, and Aluminum; custom and customer own material available
- Includes magnetic eraser and 4 assorted color magnetic markers; magnetic boards include 4 rare earth magnets
- Board is guaranteed for 10 years

Notes:

- Indoor use only
- Ships fully assembled on individual skid
- Non-magnetic board weighs 122 lbs.; Magnetic board weighs 156 lbs.